

**THERMOSTATIC MIXER TRIM
K-T9493-7**

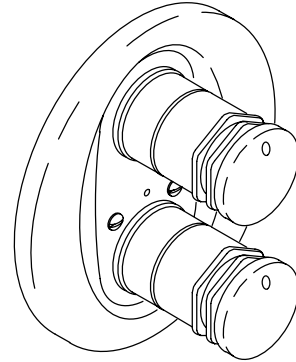
FEATURES

- *Wall-mount*
- *Brass construction*

CODES/STANDARDS APPLICABLE

Specified model meets or exceeds the following:

- *ASME/ANSI A112.18.1M*
- *CSA B125*




COLORS/FINISHES

- CP Polished Chrome
- PB Polished Brass
- Other Refer to Faucets Price Book for additional finishes

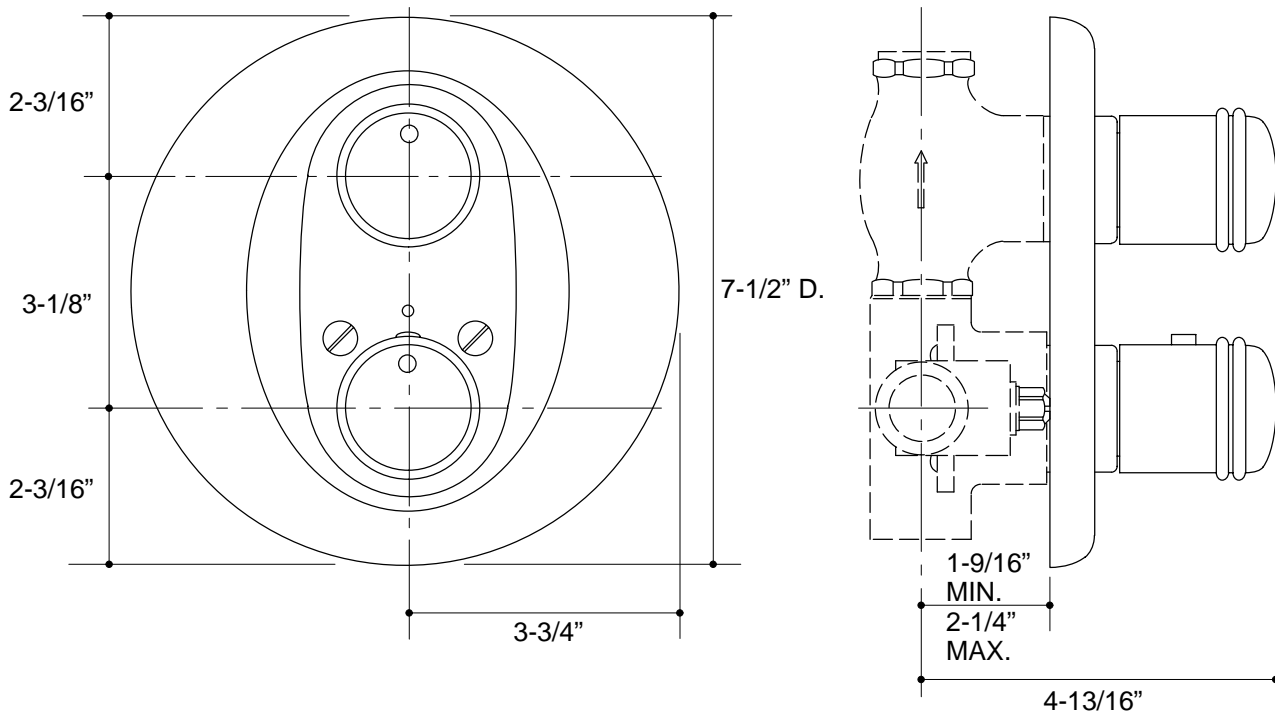
SPECIFIED MODEL: For complete faucet, both faucet trim and thermostatic mixer valve must be specified.

Model	Description			
K-T9493-7	Thermostatic Mixer with Volume Control Trim	<input type="checkbox"/> CP	<input type="checkbox"/> PB	<input type="checkbox"/> Other_____

Required Accessory		
K-401-K	3/4" Thermostatic Mixer with Volume Control	<input type="checkbox"/> NA

PRODUCT SPECIFICATION:

Two-handle wall-mount thermostatic mixer trim shall be of brass construction. Trim shall include faceplate and two handles. Faucet trim shall be Kohler Model K-T9493-7-_____ and thermostatic mixer shall be K-401-K-NA.



PRODUCT DIAGRAM