

**3-WAY TRANSFER VALVE TRIM
K-T9474-7**

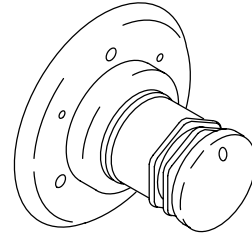
FEATURES

- *Wall-mount*
- *Brass construction*

CODES/STANDARDS APPLICABLE

Specified model meets or exceeds the following:

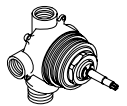
- *ASME/ANSI A112.18.1M*
- *CSA B125*



COLORS/FINISHES

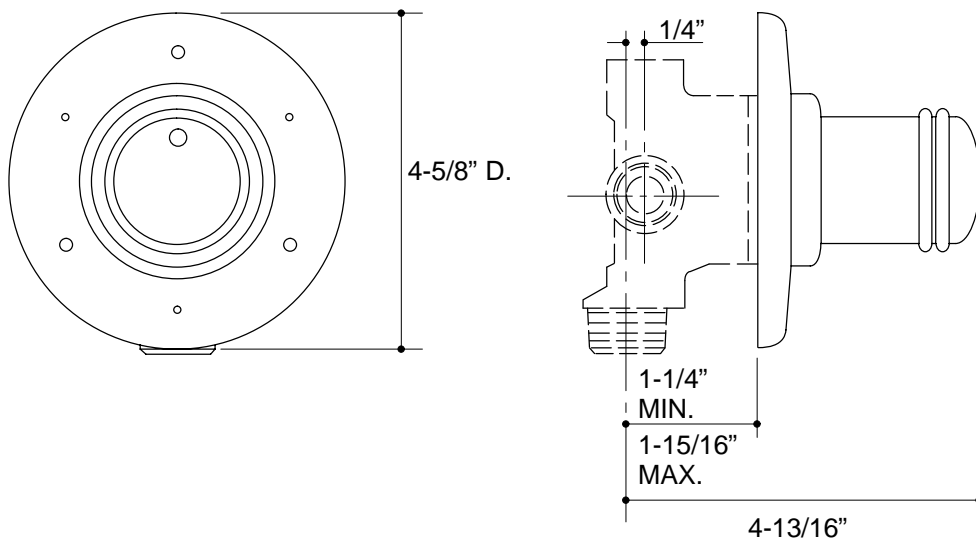
- CP Polished Chrome
- PB Polished Brass
- Other Refer to Faucets Price Book for additional finishes

SPECIFIED MODEL: For complete faucet, both faucet trim and transfer valve must be specified.

Model	Description			
K-T9474-7	3-Way Transfer Valve Trim	<input type="checkbox"/> CP	<input type="checkbox"/> PB	<input type="checkbox"/> Other_____
Required Accessory				
K-405-K	3-Way Transfer Valve	<input type="checkbox"/> NA		

PRODUCT SPECIFICATION:

Three-way transfer valve trim shall be of brass construction. Trim shall include faceplate with handle. Faucet trim shall be Kohler Model K-T9474-7-_____ and transfer valve shall be K-405-K-NA.



PRODUCT DIAGRAM