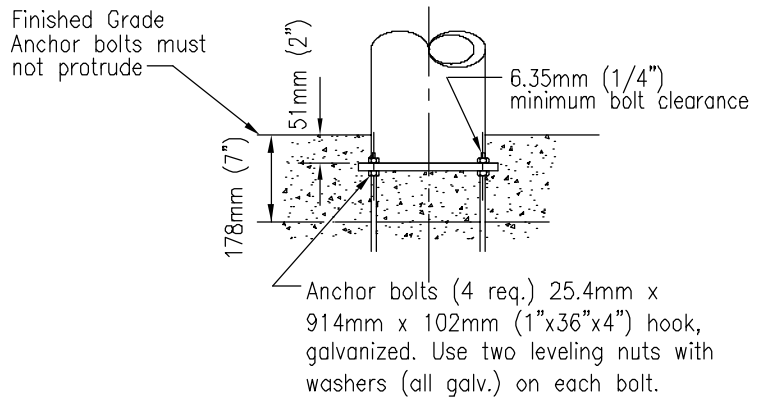


DIRECT BURIAL FOUNDATION

ANCHOR BASE FOUNDATION

POLE HEIGHT	MOUNTING HEIGHT	LAMP SIZE (WATTS)
7.62m ±610mm 25' ±2'	8.23m ±305mm 27' ±1'	170 M.V. 100 H.P.S. 90 L.P.S.
8.53m ±610mm 28' ±2'	9.14m ±305mm 30' ±1'	400 M.V. 250 H.P.S. 180 L.P.S.
7m 23' -0"	8.15m 26' -9"	70 H.P.S.
8.1m 26' -6"	9.14m 30' -0"	150 H.P.S.



Revision	By	Approved	Date
ORIGINAL		Kercheval	12/75
Add Metric		T. Stanton	03/03

SAN DIEGO REGIONAL STANDARD DRAWING

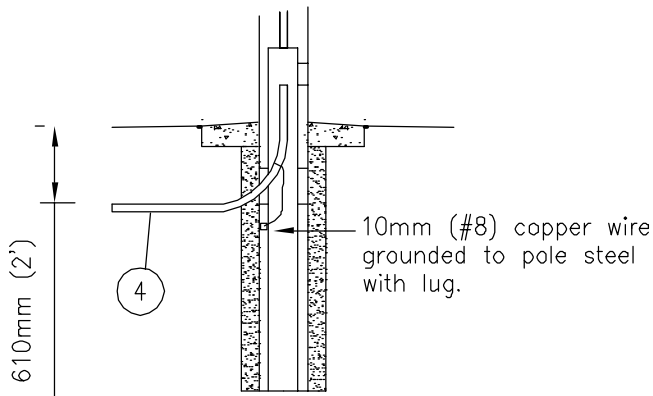
**STREET LIGHTING
STANDARD**

RECOMMENDED BY THE SAN DIEGO REGIONAL STANDARDS COMMITTEE

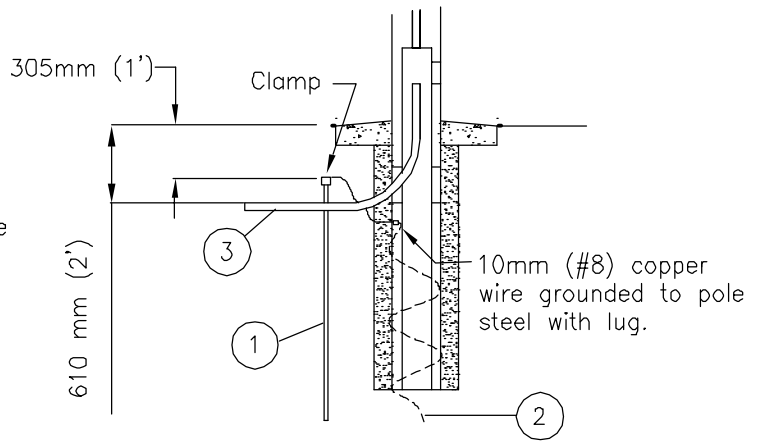
T. Stanton 31018003

Chairperson R.C.E. 19246 Date

DRAWING NUMBER **E-1**

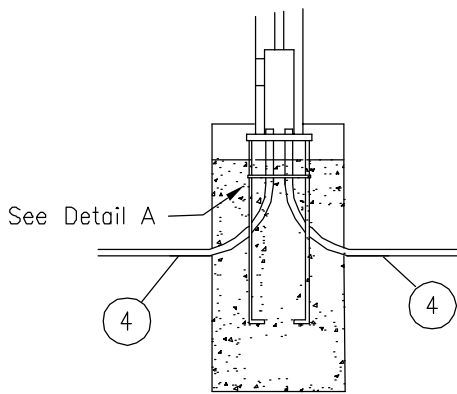


STEEL CONDUIT

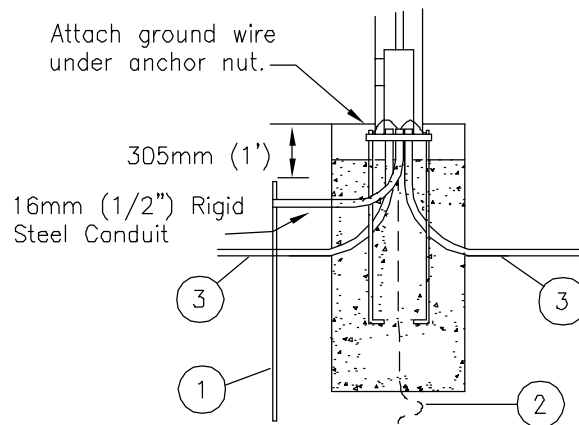


NON-METALLIC CONDUIT

DIRECT BURIAL FOUNDATION



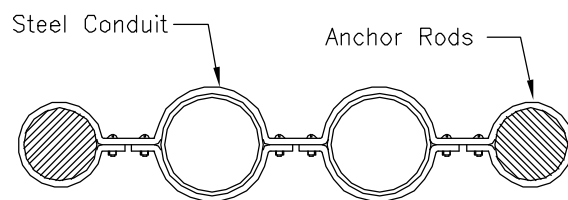
STEEL CONDUIT



NON-METALLIC CONDUIT

ANCHOR BASE FOUNDATION

- ① 19mm x 2.4m (3/4" x 8') copper covered steel ground rod.
- ② Alternate Ground: 4.57m (15") 35mm (no. 4) stranded copper wire, coiled.
- ③ Approved non-metallic conduit.
- ④ Steel conduit.



DETAIL A

Revision	By	Approved	Date
ORIGINAL		Kercheval	12/75
Add Metric		T. Stanton	03/03

SAN DIEGO REGIONAL STANDARD DRAWING

**GROUNDING
OF CONCRETE LIGHTING STANDARDS**

RECOMMENDED BY THE SAN DIEGO REGIONAL STANDARDS COMMITTEE

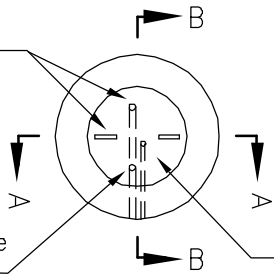
T. Stanton 51018003

Chairperson R.C.E. 19246 Date

DRAWING NUMBER **E-2**

38mm (1 1/2") min.
cover for bars and
conduits

Galvanized steel conduits. Size
and number as required.



PLAN

NOTE

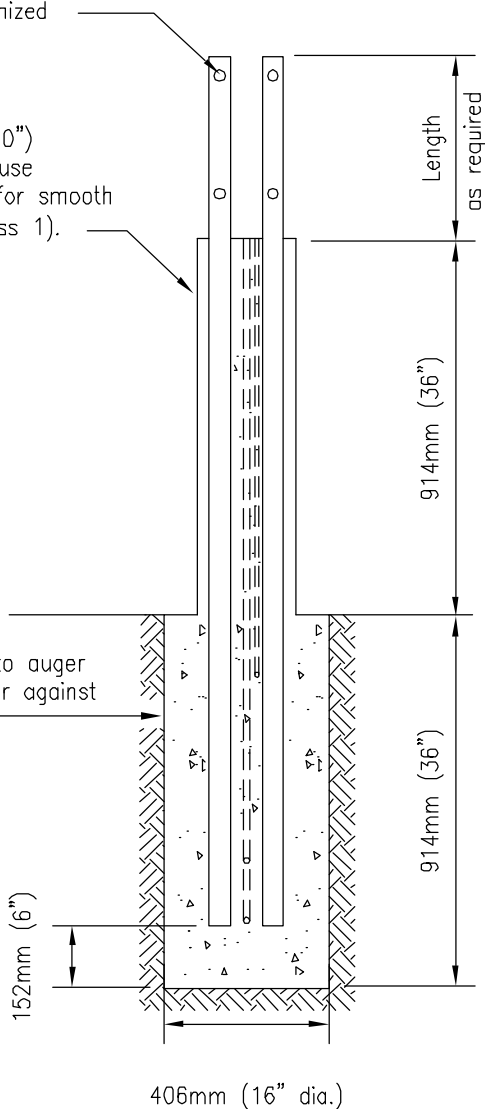
Concrete shall be class
332 kg/M3 C 22 Mpa
(560-C-3250)

25.4mm (1") galvanized steel
conduit for service ground
(where required).

6.35mm x 51mm
(1/4" x 2") galvanized
steel bars.

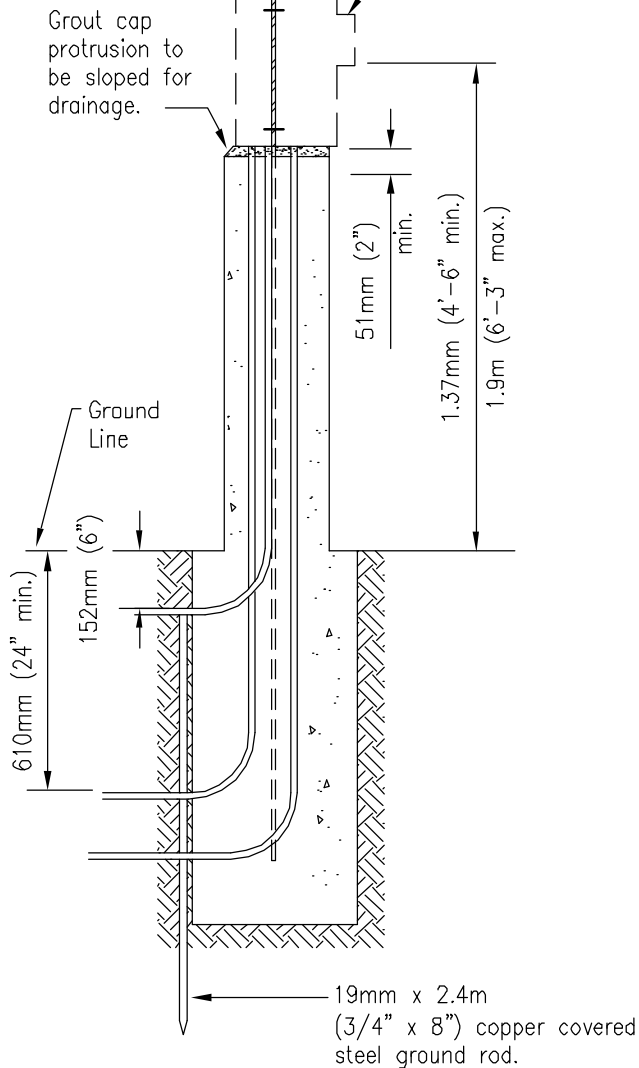
254mm (10")
Diameter, use
Sonotube for smooth
finish (Class 1).

Permissible to auger
hole and pour against
soil.



SECTION A-A
STEEL & CONCRETE
DIMENSIONS

Panel Board
Meter
Grout cap
protrusion to
be sloped for
drainage.



SECTION B-B
CONDUIT & EQUIPMENT

Revision	By	Approved	Date
ORIGINAL		Kercheval	12/75
Add Metric		T. Stanton	03/03

SAN DIEGO REGIONAL STANDARD DRAWING

**PEDESTAL FOR
ELECTRICAL EQUIPMENT**

RECOMMENDED BY THE SAN DIEGO
REGIONAL STANDARDS COMMITTEE

T. Stanton 5/10/2003
Chairperson R.C.E. 19246 Date

DRAWING
NUMBER **E-33**