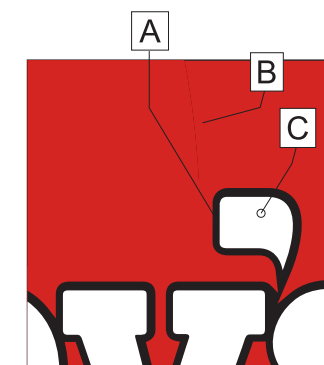


**Color Specifications**

A	Black Vinyl Outline (2nd Surface)
B	Faces Painted To Match 3M 3630-0033 2nd Surface
C	Clear Polycarbonate Faces painted White 2nd surface
D	Returns And Retainers Painted Gloss Black



**Proposed Monument Sq Ft. = 27**

**Sign Specifications**

New Aluminum Framed Cabinet  
 Cabinet To Be Double Sided With (2)  
 Panformed Polycarbonate Faces w/  
 Second Surface Graphics.  
 2" Aluminum Retainers  
 Face Cut Size = 35.5" x 107.5"  
 LED Illuminated  
 Base Is Existing - Paint White

- Sign is to withstand 130 mph windload.
- Sign is to contain UL label.
- Steel pole and concrete foundation is pre-existing / pre-Katrina.



**APPROVAL INFORMATION & CONFIRMATION**

Proof is approved. Proceed with production of order.     Proof is approved with corrections. Make corrections as indicated and proceed with production of order

SIGNATURE \_\_\_\_\_ PRINT NAME \_\_\_\_\_ DATE \_\_\_\_\_

I have reviewed this proof in regard to: Sign type; order quantity; and accuracy of icons, symbols, and text (e.g. spelling capitalization, punctuation).

These plans are the exclusive property of Design Team Sign Company and are the result of the original work of its employees. They are submitted to your company for the sole purpose of your consideration of whether to purchase these plans or to purchase from Design Team Sign Company a product manufactured according to these plans. Distribution or exhibition of the plans to anyone other than employees of your company, or use of these plans to construct a product similar to one embodied herein, is expressly forbidden. In the event that exhibition or construction occurs, Design Team Sign Company expects to be reimbursed \$500 in compensation for time and effort entailed in creating these plans.

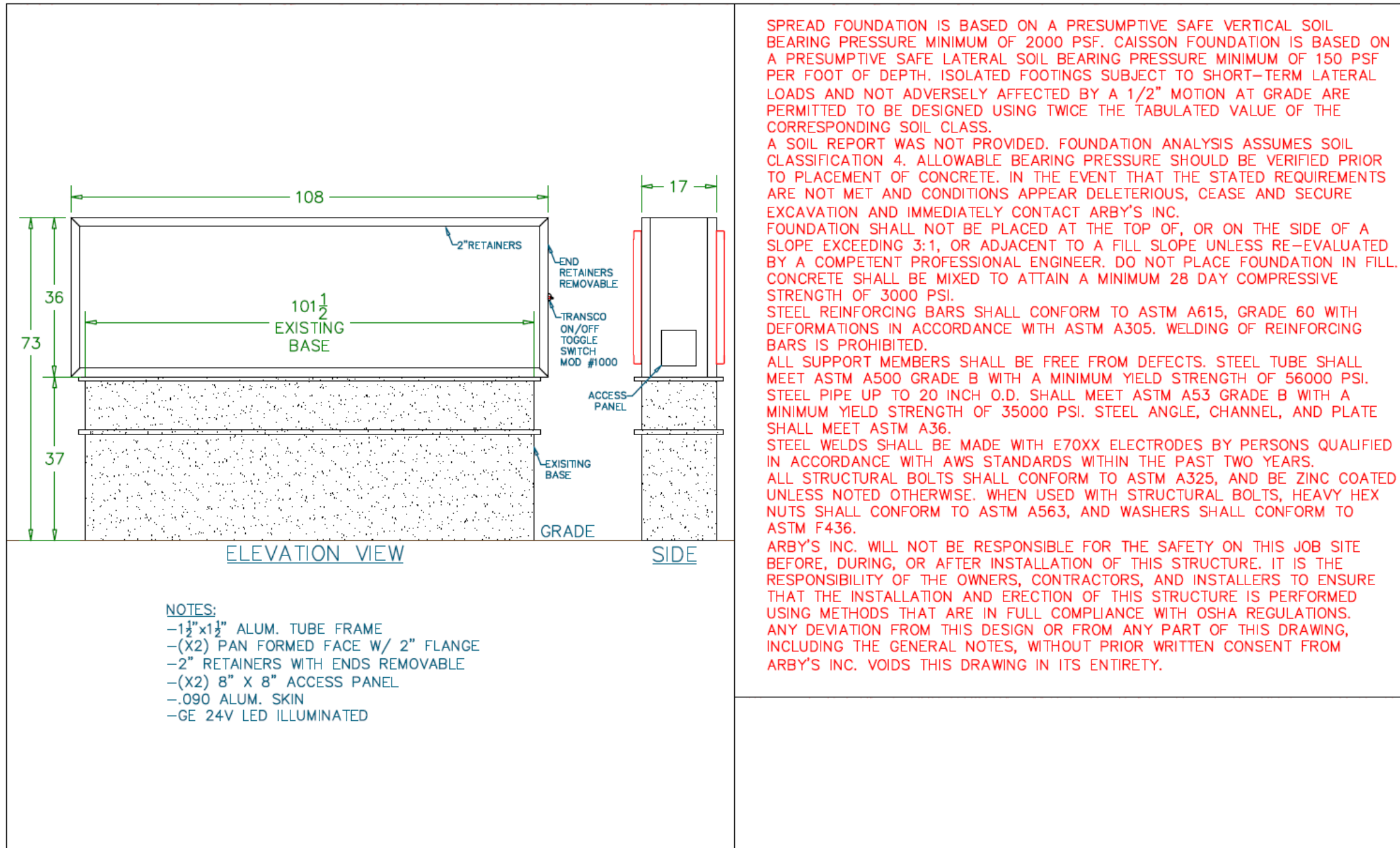


Client: ARBY'S # \_\_\_\_\_  
 Location: 1000 W Esplanade Ave Kenner, LA  
 Drawn By: MEB    Date: 6/25/19  
 Approved By: \_\_\_\_\_  
 Sheet: \_\_\_\_\_    Scale: \_\_\_\_\_  
 File: Filesystem/Rest./Arbys/la/kenner/CP

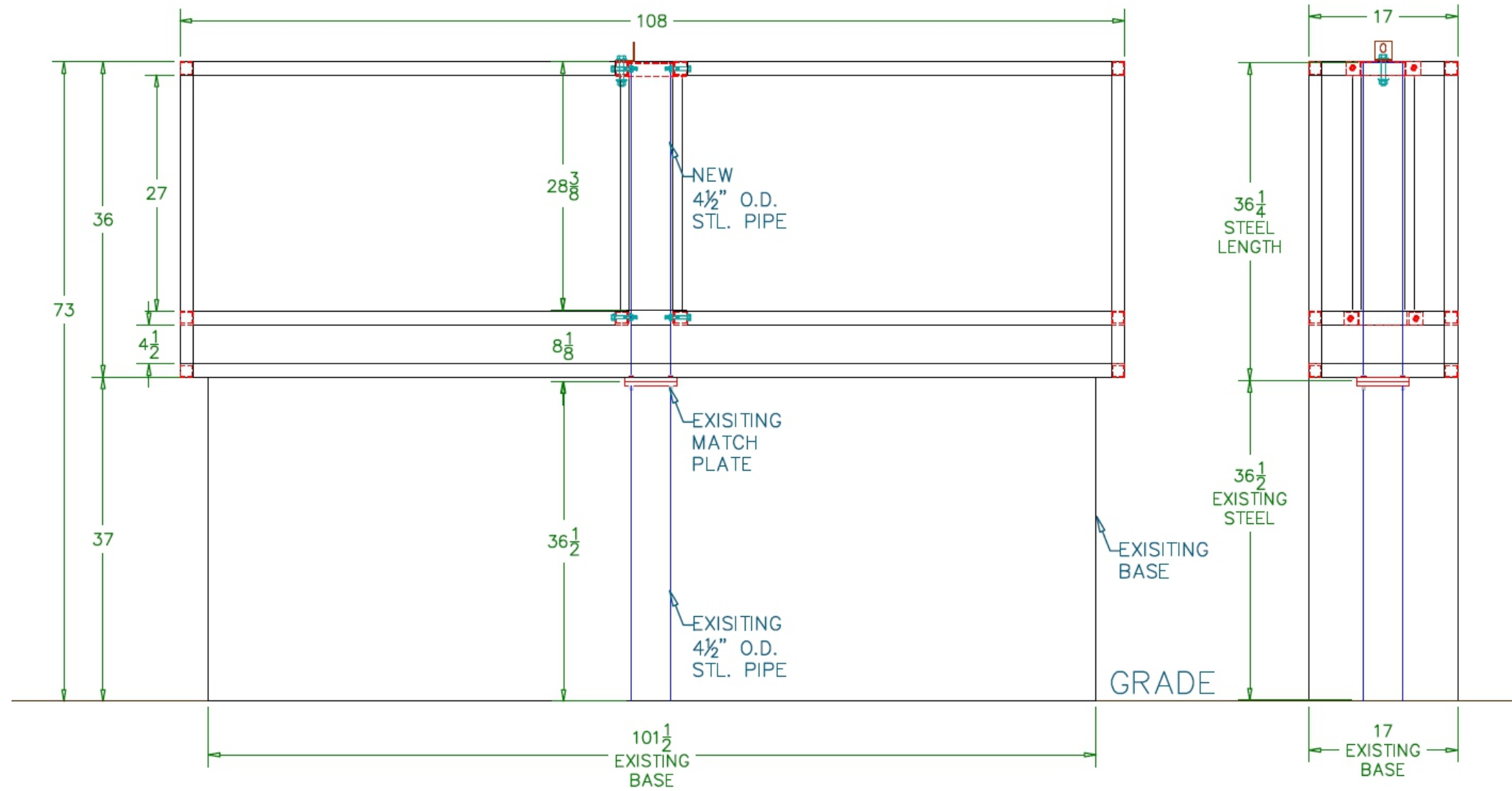


**SIGN COMPANY LLC.**  
 731-925-4448 • 800-953-3744 • Fax 731-926-2022  
 www.designteam.net

Arby's – 1000 W Esplanade Ave., Kenner, LA 70065



Arby's – 1000 W Esplanade Ave., Kenner, LA 70065



ELEVATION VIEW

SIDE