

Stratus

onestratus.com

888.503.1569

LOCATION NUMBER:

247

SITE ADDRESS:

1629 WESTBANK EXPY
HARVEY, LA 70058-4363

[View in Google Maps](#)

SIGN CODE:

Allowable sign area is 1SF per LF of building width or tenant space, not to exceed 100SF
In Jefferson Parish, a new COO is not typically required solely for a name change, but may be required if the change involves a change in the use of property or if the building does not meet current building code standards.
If COO is determined to be required, it will be a prerequisite for the issuance of a sign permit.

LANDLORD APPROVAL

NAME

SIGNATURE

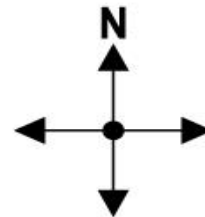
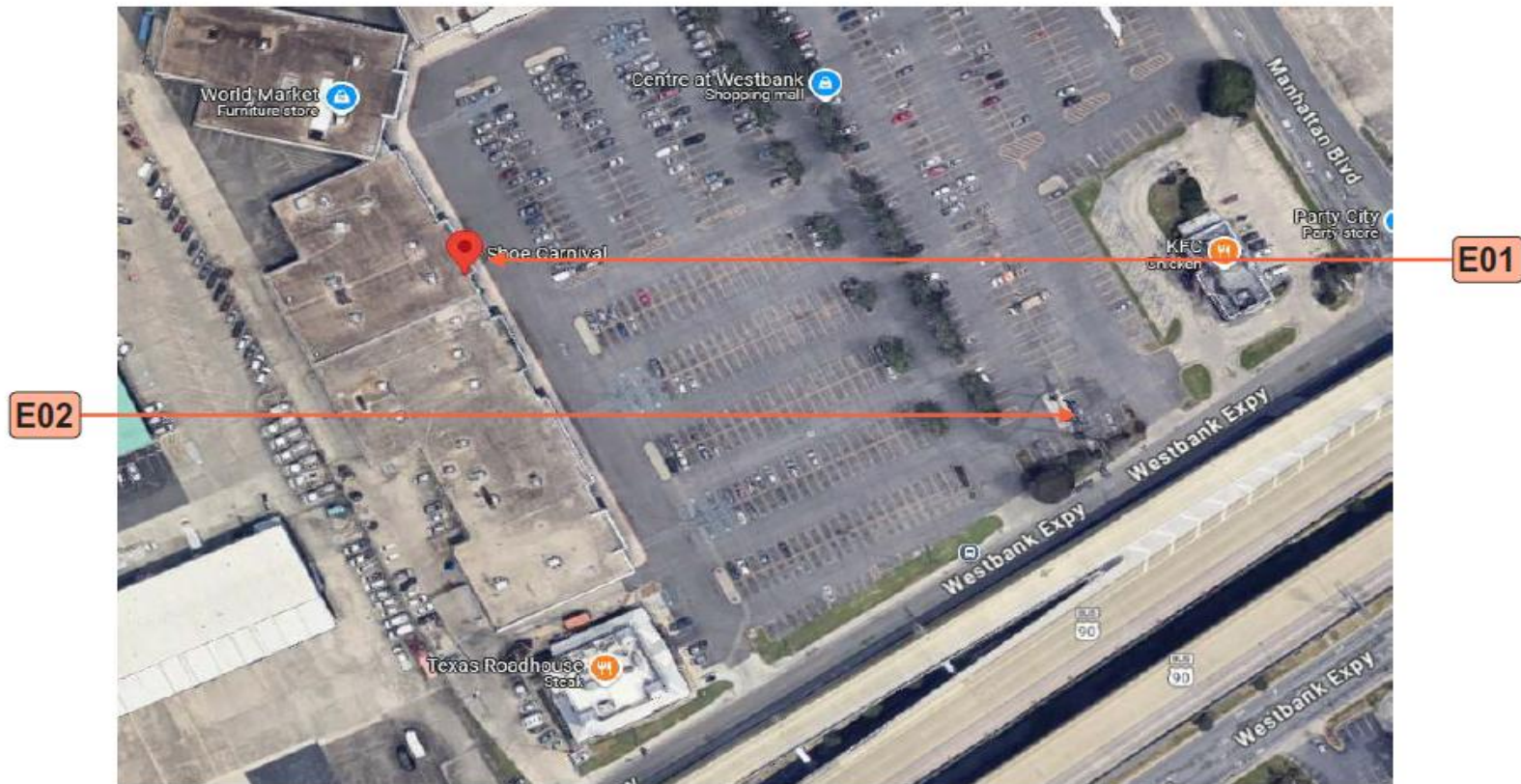
DATE

SHOE STATION

Infinite possibilities, ideal solutions.

SITE PLAN

Scale: NOT TO SCALE



Stratus
 onestratus.com
 8959 Tyler Boulevard
 Mentor, Ohio 44060
 888.503.1569

CLIENT: SHOE STATION	ORDER NUMBER: 1218781	PROJECT NUMBER: 85072
ADDRESS: 1629 WESTBANK EXPY HARVEY, LA 70058-4363	SITE NUMBER: 247	PROJECT MANAGER: SARAH NADDY
PAGE NO.: 2	ELECTRONIC FILE NAME: G:\ACCOUNTS\SHOE CARNIVAL\SHOE STATION\2025\LA\247_Harvey\247_Harvey R3.cdr	

Rev #	Req #	Date/Artist	Description	Rev #	Req #	Date/Artist	Description
Original	520348	03/18/25 Z-AT					
Rev 1	541699	07/14/25 Z-RU					
Rev 2	542954	07/18/25 Z-AV					
Rev 3	543228	07/18/25 AS					

PRINTS ARE THE EXCLUSIVE PROPERTY OF STRATUS. THIS MATERIAL SHALL NOT BE USED, DUPLICATED, OR OTHERWISE REPRODUCED WITHOUT THE PRIOR WRITTEN CONSENT OF STRATUS.

E01 PROPOSED STOREFRONT ELEVATION

Scale: 1/8"=1'-0"



Existing ±9'-8" x 26'-6" channel letters to be removed; Wall patched & painted to like new condition

← 86'-0" STOREFRONT →

45'-6" SIGNBAND

C/L



14'-0" SIGNBAND

C/L

±25'-0" OAH

COLOR PALETTE



ALLOWABLE SIGN SF:	86
EXISTING SIGN SF:	256
PROPOSED SIGN SF:	126.6



Stratus
 onestratus.com
 8959 Tyler Boulevard
 Mentor, Ohio 44060
 888.503.1569

CLIENT: **SHOE STATION**
 ADDRESS: 1629 WESTBANK EXPY HARVEY, LA 70058-4363
 PAGE NO.: **3**

ORDER NUMBER: 1218781
 PROJECT NUMBER: 85072
 SITE NUMBER: 247
 PROJECT MANAGER: SARAH NADDY
 ELECTRONIC FILE NAME: G:\ACCOUNTS\SHOE CARNIVAL\SHOE STATION\2025\LA\247_Harvey\247_Harvey R3.cdr

Rev #	Req #	Date/Artist	Description	Rev #	Req #	Date/Artist	Description
Original	520348	03/18/25 ZAT					
Rev 1	541899	07/14/25 ZRU					
Rev 2	542954	07/18/25 ZAV	Removed all other options except option C				
Rev 3	543228	07/18/25 AS					

PRINTS ARE THE EXCLUSIVE PROPERTY OF STRATUS. THIS MATERIAL SHALL NOT BE USED, DUPLICATED, OR OTHERWISE REPRODUCED WITHOUT THE PRIOR WRITTEN CONSENT OF STRATUS.

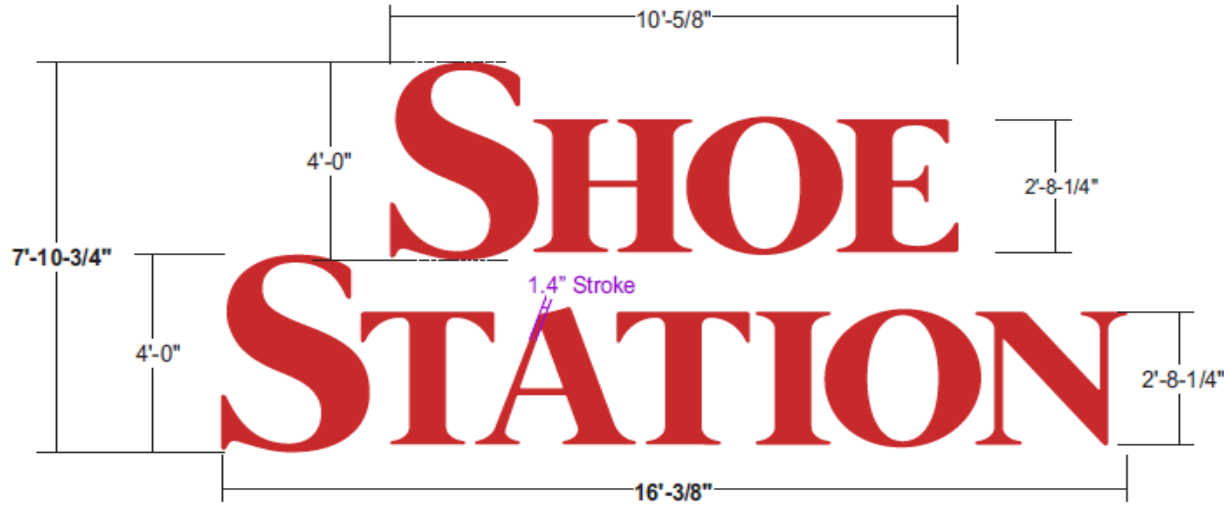
E01

FACE LIT CHANNEL LETTERS

Scale: 3/8"=1'-0"

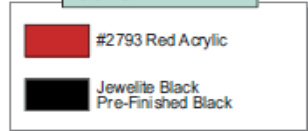
SS-FL-S-R-48

126.6 square feet



- FACES:** 3/16" #2793 red acrylic faces
- TRIMCAP:** 2" standard black jewelite trimcap
- RETURNS:** 5" deep .063 aluminum returns pre-finished black
- BACKS:** .080 aluminum backs - insides painted white
- ILLUM.:** Hanely PF2080 Red (or equivalent) LEDs as required by manufacturer;
Remote Power Supplies
- WALL MAT.:** Signband material is STUCCO
- INSTALL:** Thru bolted using all thread into blocking as required;
12" standard length of threaded rod will be supplied unless otherwise noted;
3/8" threaded rod into blocking or Stratus approved equivalent
Compression sleeves required to avoid crushing wall & achieve max tensioning
- QUANTITY:** (1) ONE CHANNEL LETTERSET REQUIRED FOR FRONT ELEVATION

COLOR PALETTE



Paint finish to be satin unless otherwise specified

ALL SIGNS TO COMPLY WITH UL 48 AND WILL BE MARKED AS SUCH WITH APPROPRIATE LABORATORY LABELS.

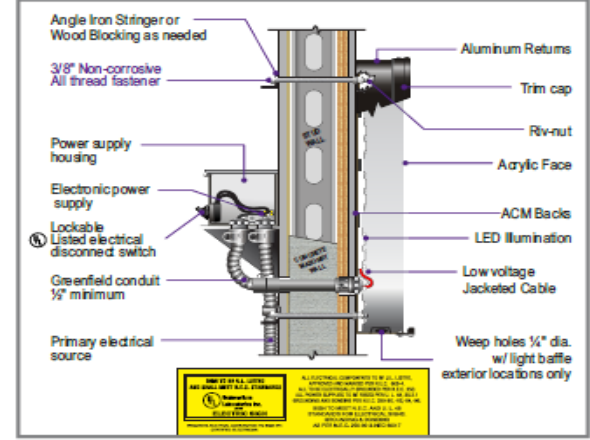
THIS SIGN IS INTENDED TO BE INSTALLED IN ACCORDANCE WITH THE REQUIREMENTS OF ARTICLE 600 OF THE NATIONAL ELECTRICAL CODE AND/OR OTHER APPLICABLE LOCAL CODES. THIS INCLUDES PROPER GROUNDING AND BONDING OF THE SIGN.

THE LOCATION OF THE DISCONNECT SWITCH AFTER INSTALLATION SHALL COMPLY WITH ARTICLE 600.6(A) (1) OF THE NATIONAL ELECTRIC CODE.

SIMULATED NIGHT VIEW



FACE LIT LED | REMOTE, FLUSH | GENERIC INSTALL



Stratus

onestratus.com
8959 Tyler Boulevard
Mentor, Ohio 44060
888.503.1569

CLIENT:
SHOE STATION

ADDRESS:
1629 WESTBANK EXPY
HARVEY, LA 70058-4363

ORDER NUMBER:
1218781

SITE NUMBER:
247

ELECTRONIC FILE NAME:
G:\ACCOUNTS\SI\SHOE CARNIVAL\SHOE STATION\2025\LA1247_Harvey\247_Harvey R3.cdr

PROJECT NUMBER:
85072

PROJECT MANAGER:
SARAH NADDY

PAGE NO.:
4

Rev #	Req #	Date/Artist	Description	Rev #	Req #	Date/Artist	Description
Original	520348	03/18/25 Z-AT					
Rev 1	541699	07/14/25 Z-RU	Revised to 48" channel letters				
Rev 2	542954	07/18/25 Z-AV	Removed all other options except option C				
Rev 3	543228	07/18/25 AS					

Face Replacement Only



SIDE A

SIDE B

Existing faces to be removed & replaced with new faces



VO: 4'-4" x 19'-2-1/2"

SIDE A & SIDE B ARE SAME

CABINET: Existing 3'-4" deep cabinet with 5" retainers covers & 9-1/2" T-track to remain

FACES: 3M Panagraphics III Flexible Substrate

GRAPHICS: Surface applied red trans. vinyl w/ reverse weeded copy to show thru white

ATTACH.: Faces attached to existing frame using standards clips as required

QUANTITY: (2) TWO FACES REQUIRED

SIMULATED NIGHT VIEW



COLOR PALETTE



SIDE A

SIDE B

Stratus

onestratus.com

8959 Tyler Boulevard
Mentor, Ohio 44060

888.503.1569

CLIENT:

SHOE STATION

ADDRESS:

1629 WESTBANK EXPY
HARVEY, LA 70058-4363

PAGE NO.:

5

ORDER NUMBER:

1218781

SITE NUMBER:

247

PROJECT NUMBER:

85072

PROJECT MANAGER:

SARAH NADDY

ELECTRONIC FILE NAME:

G:\ACCOUNTS\SHOE CARNIVAL\SHOE STATION\2025\LA\247_Harvey\247_Harvey R3.cdr

Rev #	Req #	Date/Artist	Description	Rev #	Req #	Date/Artist	Description
Original	520348	03/18/25 Z-AT					
Rev 1	541699	07/14/25 Z-RU					
Rev 2	542954	07/18/25 Z-AV					
Rev 3	543228	07/18/25 AS	Removed redlines				