

Ordering Information

| | | |
|-----------------------------|------------|-------------|
| Applicable product: | | |
| 254mm centers, Camber | K-2282-10 | shown |
| Single-hole, Camber | K-2282-1 | not shown |
| No-hole, Camber | K-2282 | not shown |
| 314mm centers, Water Lilies | K-14282-12 | not shown |
| No-hole, Water Lilies | K-14282 | not shown |
| Accessories/hardware: | | |
| Trap | K-8998 | recommended |

Product Information

| | | | |
|---|-------|------------|-------------|
| Fixture*: | | basin area | water depth |
| Lavatory | | 356mm D. | 127mm |
| Outlet | Ø44mm | | |
| * Approximate measurements for comparison only. | | | |

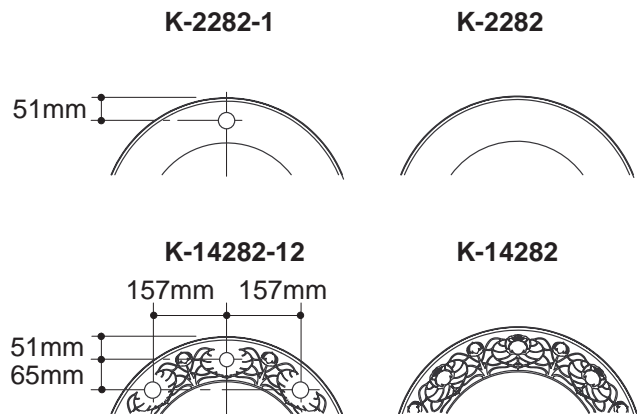
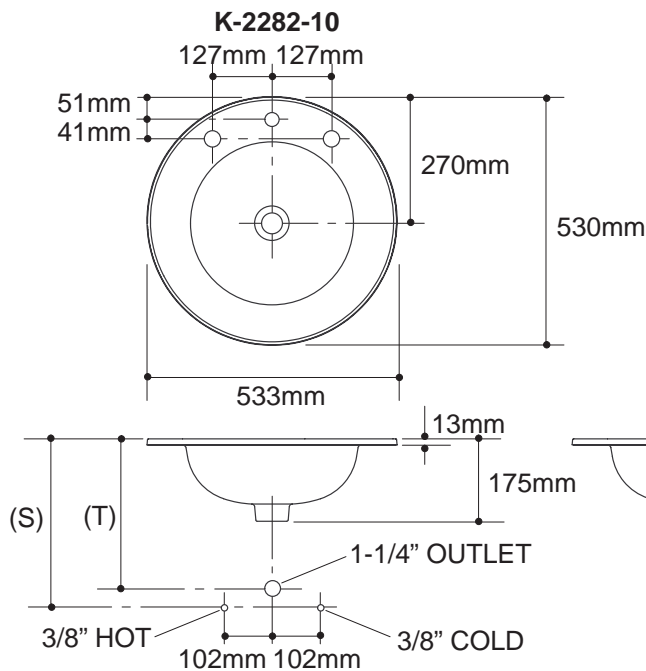
| | | | |
|--------|------------------|-----------------|-------------------|
| Holes | K-2282-10 | K-2282-1 | K-14282-12 |
| Spout | Ø30mm | Ø35mm | Ø30mm |
| Faucet | Ø35mm | | Ø35mm |

| | |
|----------------------|---------|
| Included Components: | |
| Adhesive sealant | 81489 |
| Adjustable linkage | 40372 |
| Cutout template | 86562-7 |

Installation Notes

Refer to installation instructions included with fixture before beginning installation.

IMPORTANT: Due to the large size of the lavatory, a 537mm wide flat is required for installation on a vanity top.



Roughing-In Notes

Fixture dimensions are nominal and conform to tolerances in ASME Standard A112.19.2M.

(T) Pop-up drain 318mm.

(S) 356mm (Based on 305mm riser which may require cutting).

Lavatories without faucet hole drilling require wall-mount faucet with 178mm min. spout length.