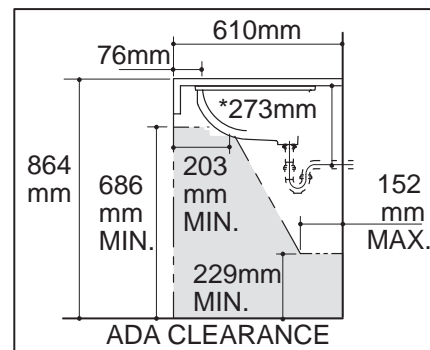
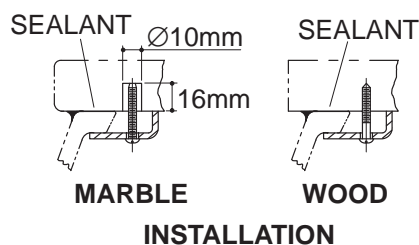
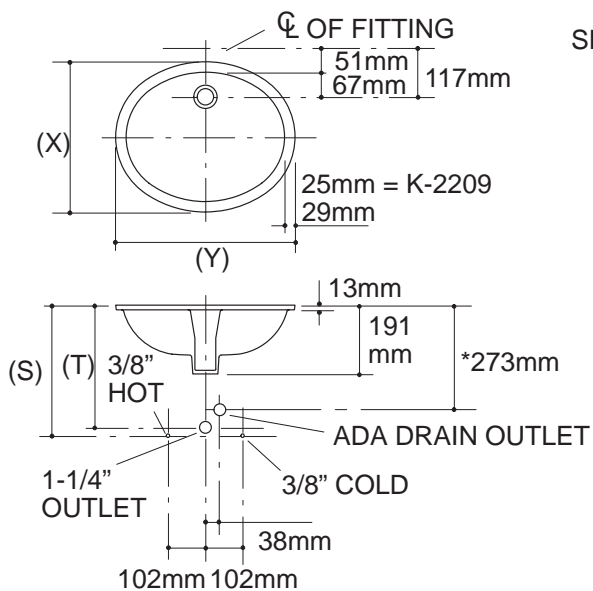


### Ordering Information

Applicable product:		
381 x 305mm lavatory	K-2209	shown
432 x 356mm lavatory	K-2210	shown
432 x 356mm glazed underside	K-2210-G	shown
483 x 381mm lavatory	K-2211	shown
483 x 381mm glazed underside	K-2211-G	shown
Accessories/hardware:		
Trap	K-8998	recommended

### Product Information

ADA compliant.			
Fixture*:		basin area	water depth
Lavatory: K-2209		381 x 305mm	102mm
Lavatory: K-2210		432 x 356mm	102mm
Lavatory: K-2211		483 x 381mm	102mm
Outlet	Ø44mm		
* Approximate measurements for comparison only.			
Included Components:			
Basin clamp assembly			52047
Adhesive sealant			63034
Cutout template			101085-7



### Roughing-In Notes

Fixture dimensions are nominal and conform to tolerances in ASME Standard A112.19.2M.

(T) Pop-up drain 333mm, grid drain 311mm.

(S) 356mm (Based on 305mm riser which may require cutting).

Supplied basin clamp assemblies require 25mm minimum countertop thickness. Installer must supply anchors for thinner countertops.

\*Based on K-8998 with 25mm of tailpiece exposed.

K-2209: (X)=356mm, (Y)=432mm.

K-2210: (X)=413mm, (Y)=489mm.

K-2211: (X)=438mm, (Y)=540mm.