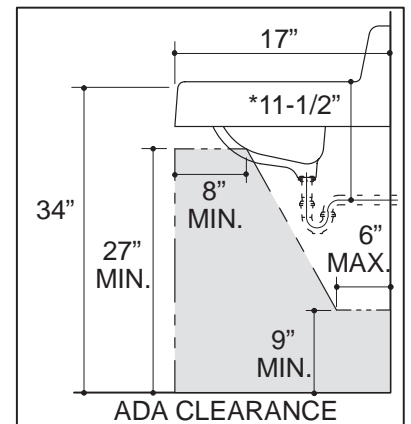
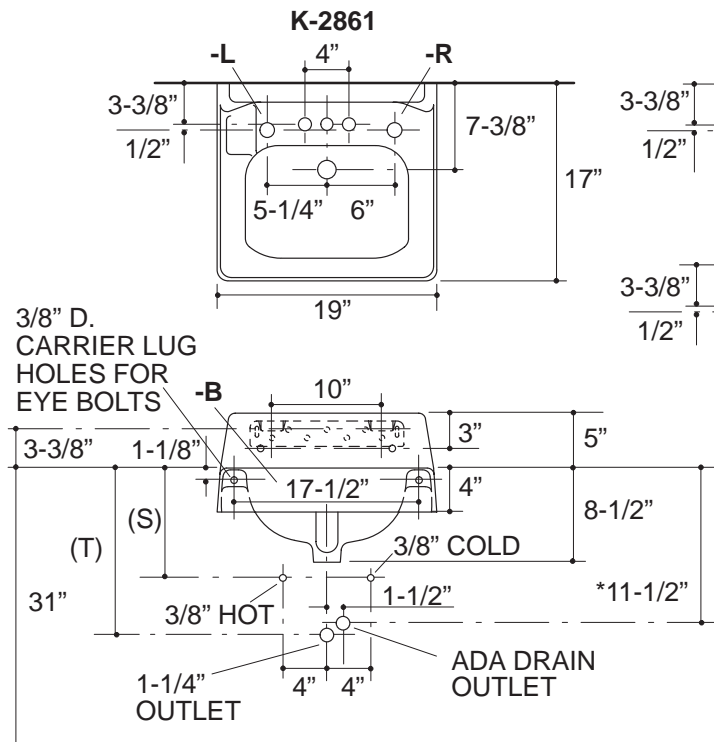


### Ordering Information

Applicable product:		
<b>4" centers lavatory</b>	K-2861	shown
soap dispenser on left	K-2861-L	
soap dispenser on right	K-2861-R	
w/ 17-1/2" thru bolt holes & soap dispenser on left & soap dispenser on right	K-2861-B K-2861-LB K-2861-RB	
<b>8" centers lavatory</b>	K-2863	
soap dispenser on right	K-2863-R	
w/ 17-1/2" thru bolt holes & soap dispenser on right	K-2863-B K-2863-RB	
<b>Single-hole lavatory</b>	K-2805	not shown
soap dispenser on left	K-2805-L	
soap dispenser on right	K-2805-R	
w/ 17-1/2" thru bolt holes & soap dispenser on left & soap dispenser on right	K-2805-B K-2805-LB K-2805-RB	

### Product Information

ADA compliant.			
Fixture*:		basin area	water depth
Lavatory		15" x 10"	5"
Outlet	1-11/16" D.		
* Approximate measurements for comparison only.			
Holes	<b>K-2863</b>	<b>K-2861</b>	<b>K-2805</b>
Spout	1-1/8" D.	1-1/8" D.	1-3/8" D.
Faucet	1-5/16" D.	1-3/16" D.	
Soap dispenser			1-1/4" D.
Included Components:			
Hanger			64503
Accessories/hardware recommended:			
Trap			K-8998



### Roughing-In Notes

Fixture dimensions are nominal and conform to tolerances in ASME Standard A112.19.2M.

\*Based on K-8998, with 1" tailpiece exposed.

(T) Pop-up drain 14-1/8", grid drain 13-1/4".

Supply (Based on 12" riser which may require cutting).	K-2861 K-2805	K-2863
(S)	10"	14"

.95<116

**K-2805, K-2861, K-2863** Hudson™ Lavatory  
105057-1-CA (A)

**KOHLER®**