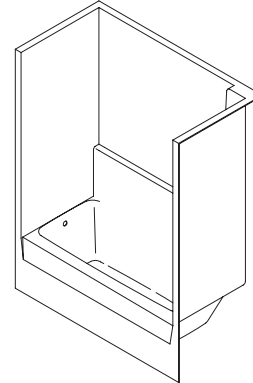


BATH AND SHOWER MODULE

K-1571, K-1572



FEATURES

- 60" x 32" x 76"
- Fiberglass (FRP)
- Left or right outlet
- Integral ledge
- Acrylic grab bars
- Two-piece design for remodeling installations

CODES/STANDARDS APPLICABLE

Specified model meets or exceeds the following:

- ANSI Z124.2
- IAPMO/UPC
- Canadian Standards Association (CSA)
- State of Massachusetts

COLORS/FINISHES

- 0 White
- Other Refer to Fixtures Price Book for additional colors

Accessories:

- 0 White
- CP Polished Chrome
- PB Polished Brass
- SH Bright Silver
- BH Bright Brass
- Other Refer to Faucets Price Book for additional finishes

SPECIFIED MODEL:

Model	Description	Colors/Finishes	
K-1571	Bath and shower module with outlet at left	<input type="checkbox"/> 0 White	<input type="checkbox"/> Other_____
K-1572	Bath and shower module with outlet at right	<input type="checkbox"/> 0 White	<input type="checkbox"/> Other_____

Recommended Accessories			
K-7160-TF	Drain	<input type="checkbox"/> CP	<input type="checkbox"/> PB <input type="checkbox"/> Other_____

Optional Accessories			
K-703012	Forum™ bypass bath door* OR	<input type="checkbox"/> SH	<input type="checkbox"/> BH <input type="checkbox"/> 0 White
K-701025	Focal bypass bath door* OR	<input type="checkbox"/> SH	<input type="checkbox"/> BH <input type="checkbox"/> 0 White
K-701026	Focal bypass bath door* OR	<input type="checkbox"/> SH	<input type="checkbox"/> BH <input type="checkbox"/> 0 White
K-704010	Helios™ 4-panel bath door* OR	<input type="checkbox"/> SH	<input type="checkbox"/> BH <input type="checkbox"/> 0 White
K-704012	Helios™ 2-panel bath screen*	<input type="checkbox"/> SH	<input type="checkbox"/> BH <input type="checkbox"/> 0 White

* Refer to Fixtures Price Book for glass options.

PRODUCT SPECIFICATION:

The two-piece bath and shower module shall be 60" in length, 32" in width, and 76" in height. Bath and shower module shall be made of fiberglass (FRP). Bath and shower module shall have an outlet at left or right. Bath and shower module shall have integral ledge. Bath and shower module shall have clear acrylic grab bar. Bath and shower module shall be Kohler Model K-_____-_____.

VERACRUZ™ II

PRODUCT INFORMATION

Fixture*:	basin area	top area	weight
Bathing well	46" x 20"	55" x 23"	145 lbs.
	water depth	capacity	
To overflow	10-3/4"	43 gals.	
Configuration			2-piece
Drain Outlet			2-1/4" D.

* Approximate measurements for comparison only.

INSTALLATION NOTES

Fixture not drilled for supply fittings.

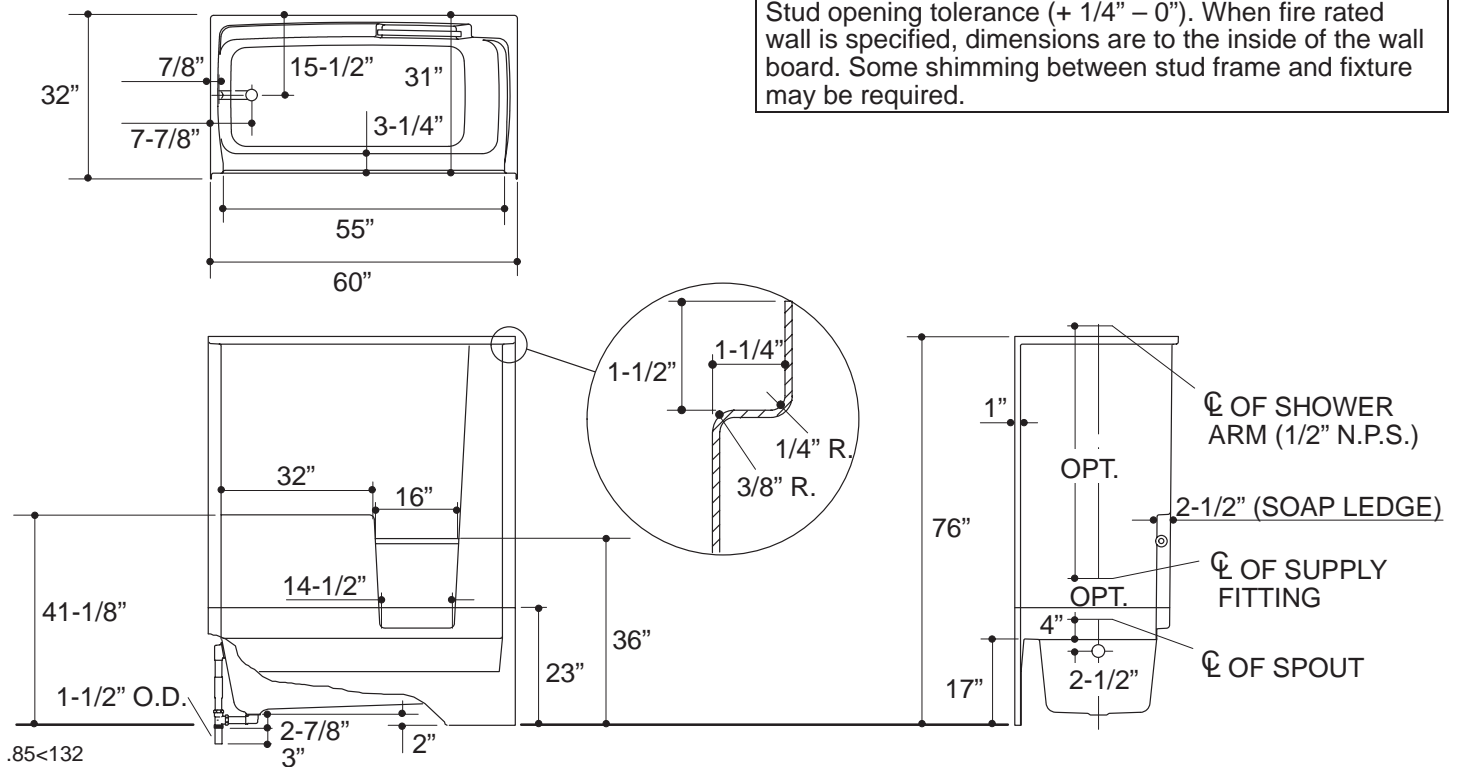
Shimming may be required to level fixture.

Mastershower K-74 and K-75 not recommended.

Roughing-In Notes

No change in measurements if connected with drain illustrated.

Stud opening tolerance (+ 1/4" - 0"). When fire rated wall is specified, dimensions are to the inside of the wall board. Some shimming between stud frame and fixture may be required.



PRODUCT DIAGRAM