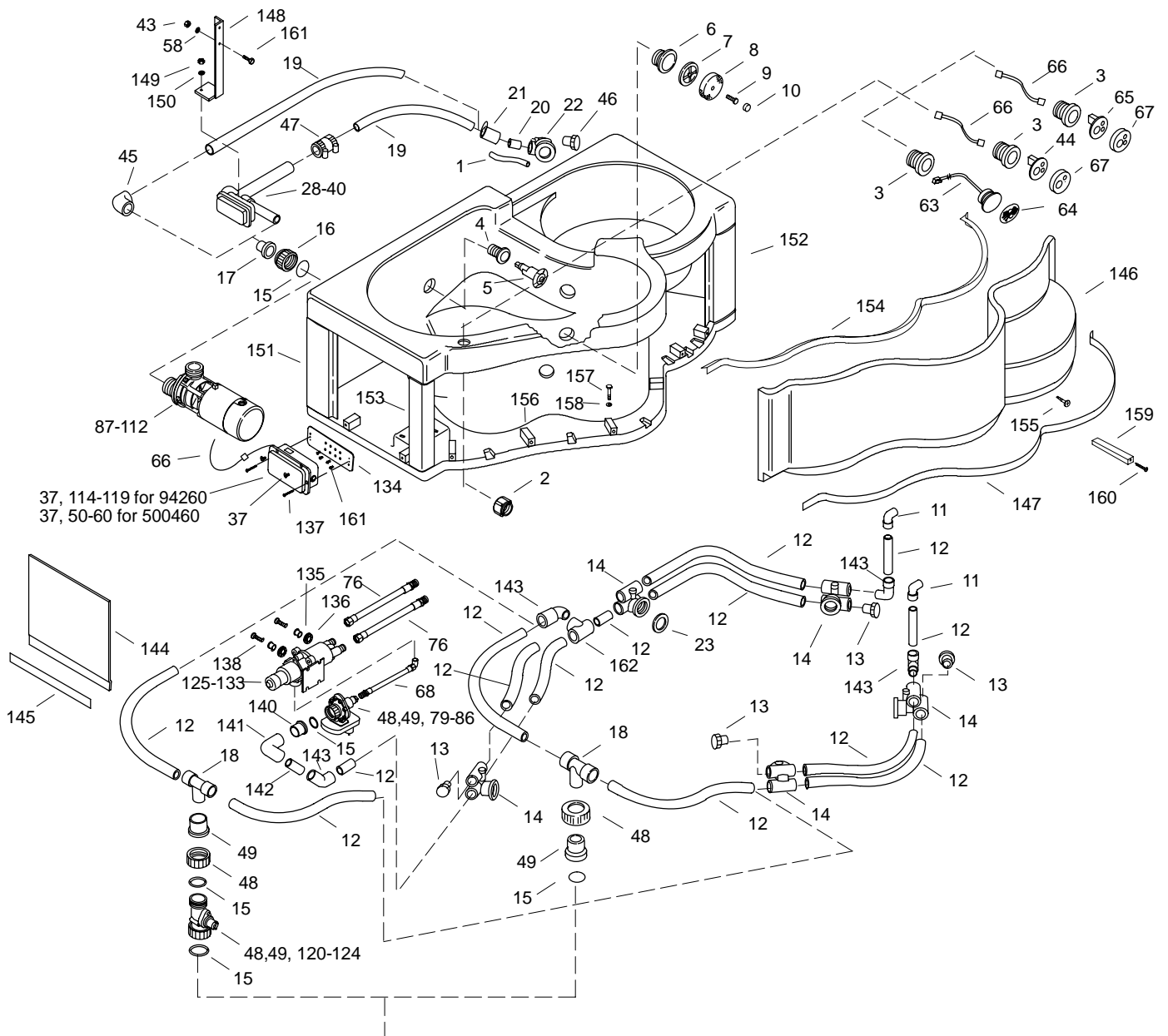


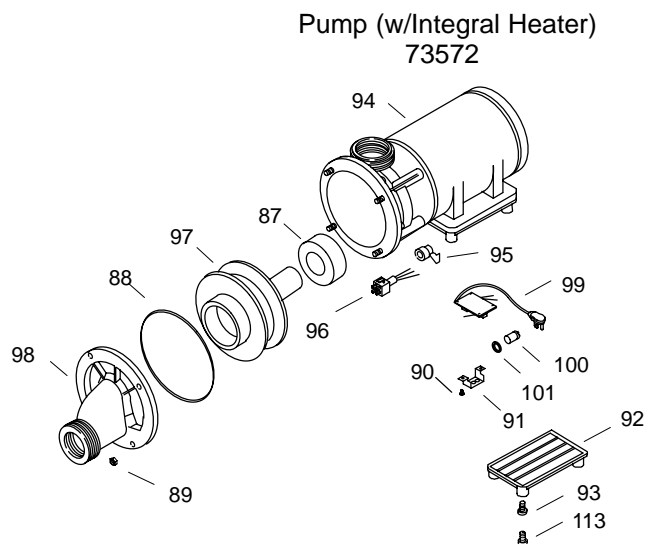
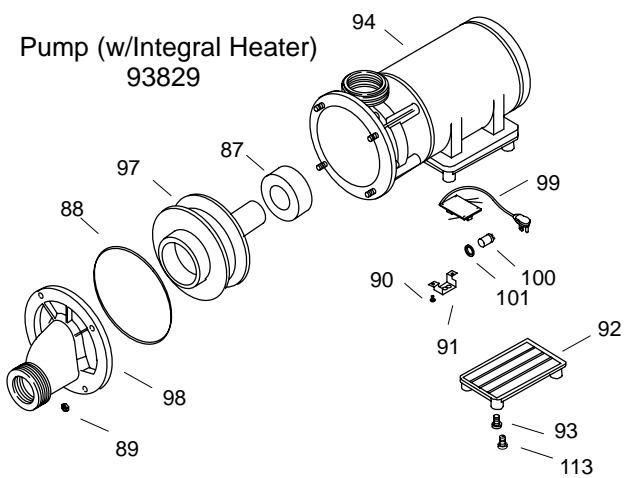
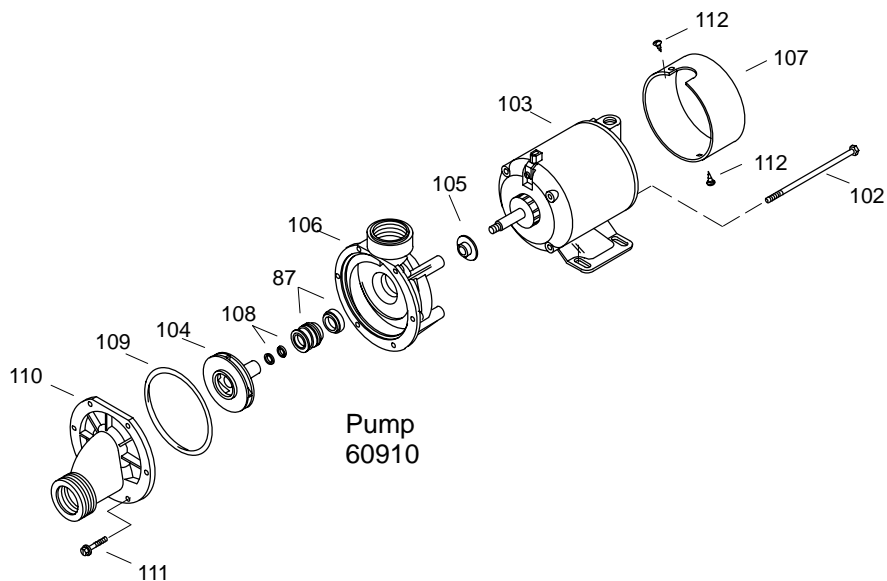
KOHLER® SERVICE PARTS

AVENTURA SHOWER AND SOAK™ WHIRLPOOL

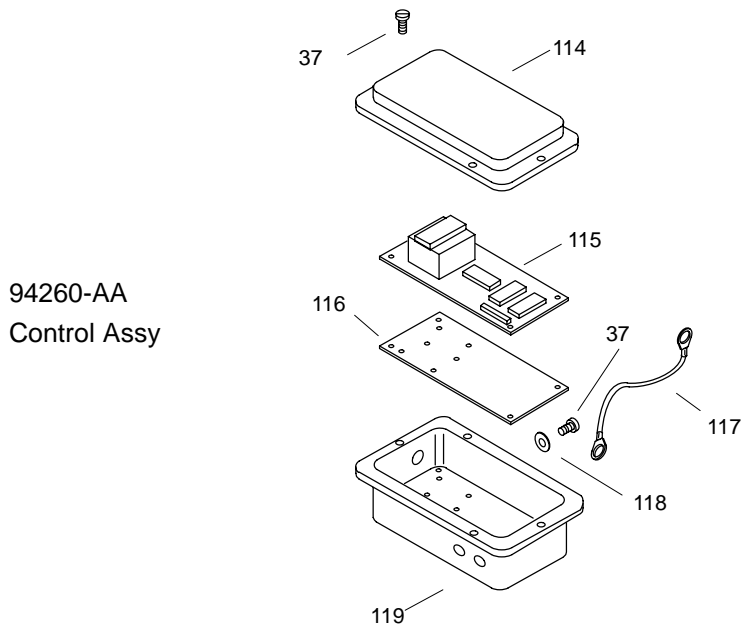
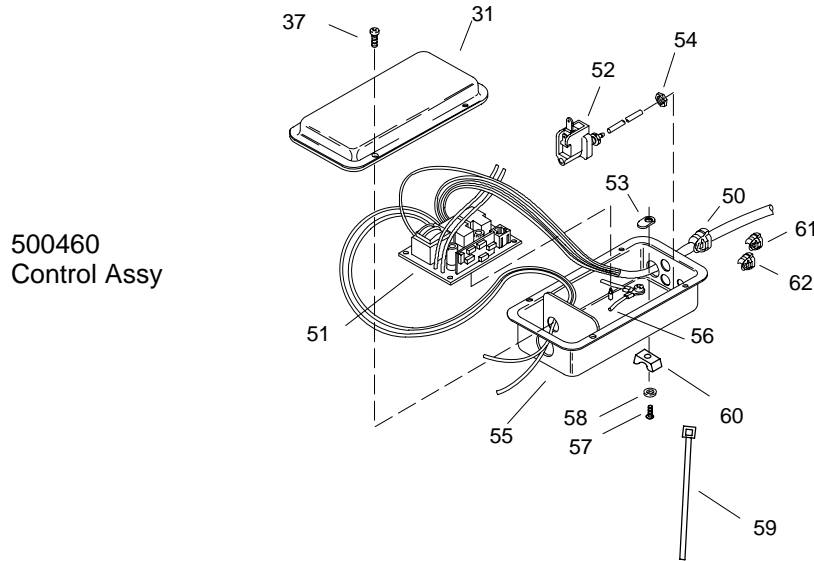
| K# | Pump | Pump Switch | w/Heater | Control Retrofit Kit |
|---------------|-------|-------------|----------|----------------------|
| 1594-**-AA | 60910 | 30775 | N/A | 500460 |
| 1594-H-**-AA | 60910 | 30774 | External | 500460 |
| 1594-H1-**-AA | 93829 | 73589 | In Pump | N/A |
| 1594-N-**-AA | 73572 | 73589 | In Pump | 94260 |



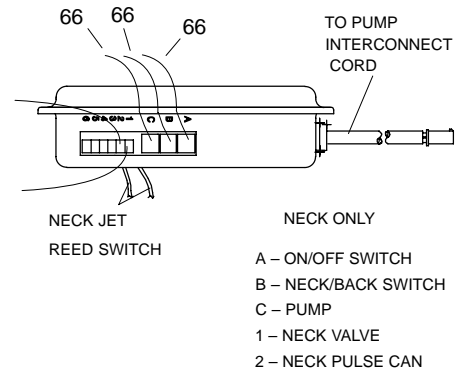
****Finish/color code must be specified when ordering.**



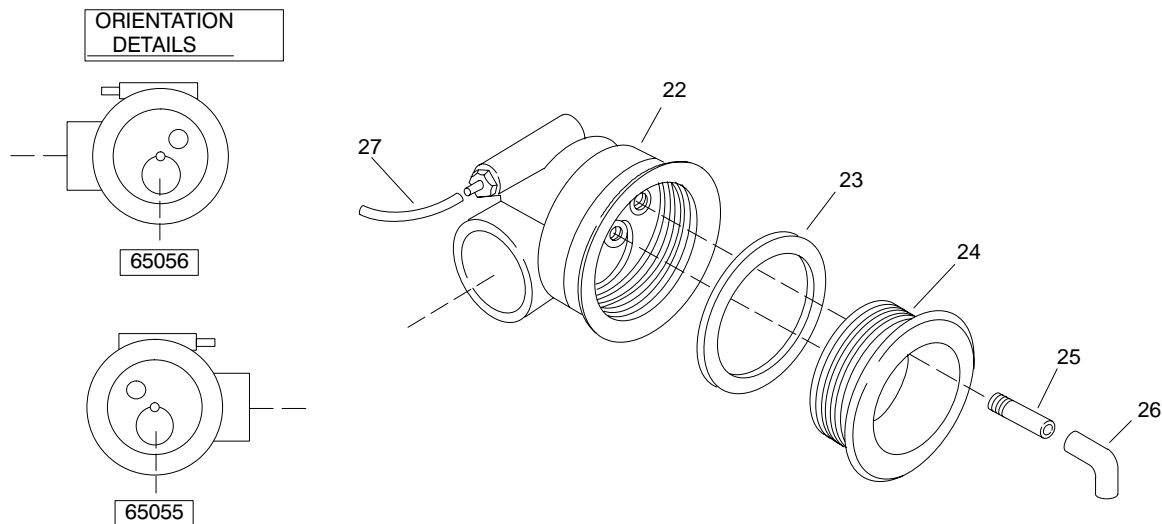
****Finish/color code must be specified when ordering.**



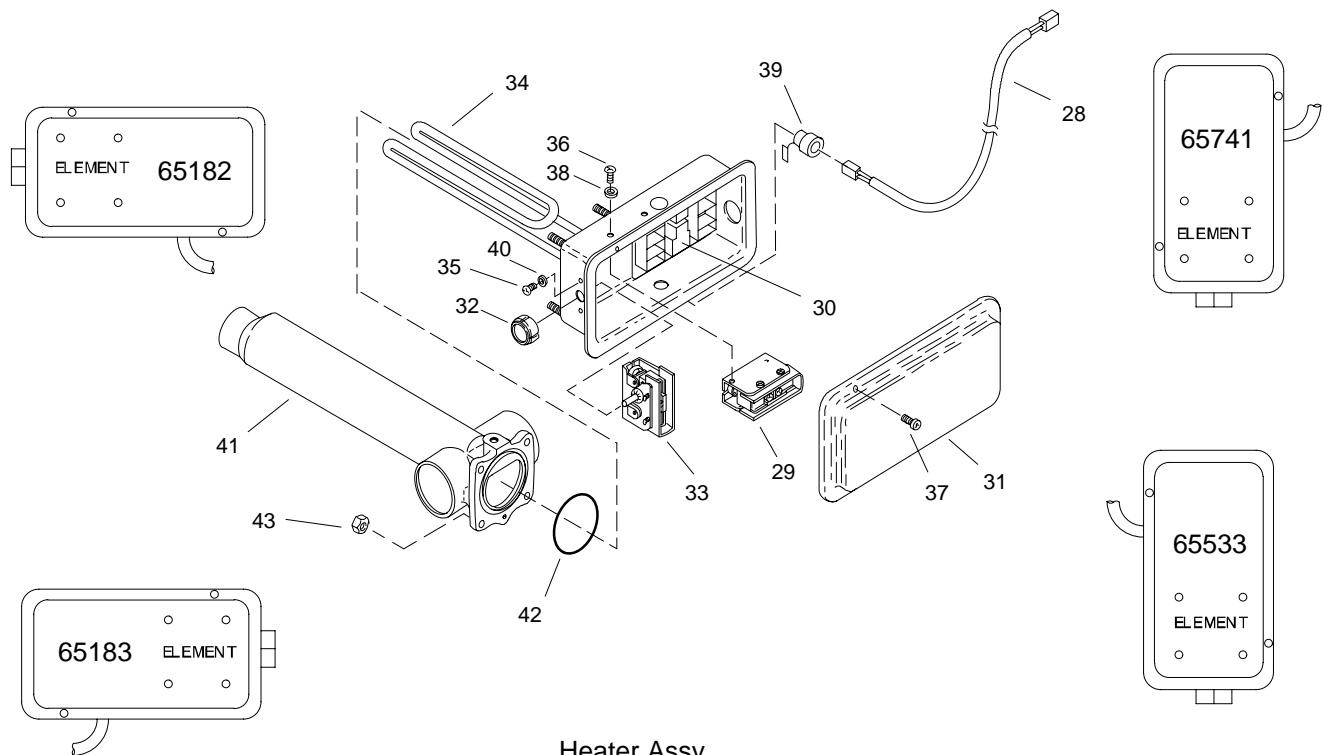
Auxiliary Control Diagram



****Finish/color code must be specified when ordering.**

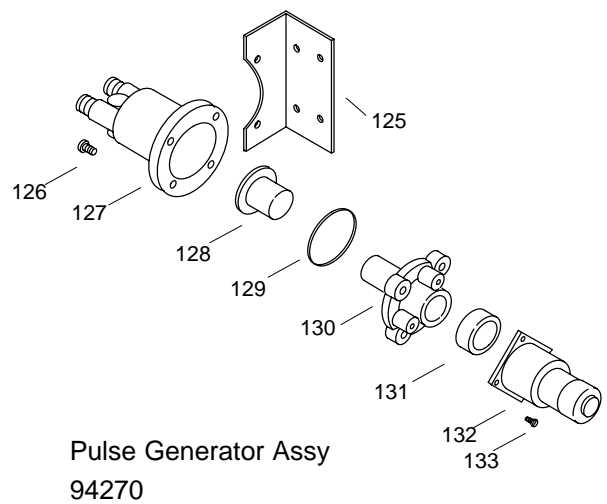
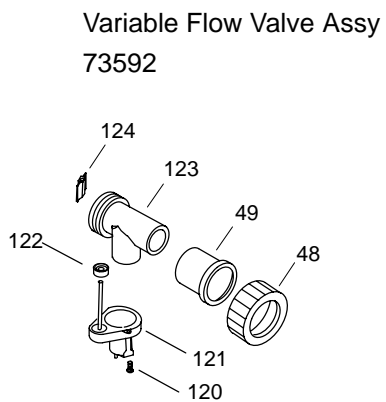
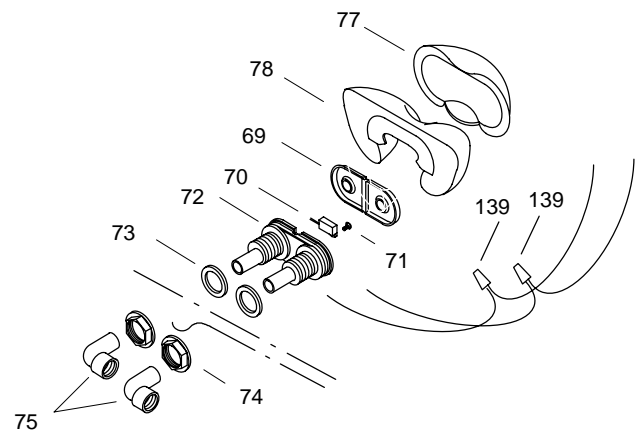
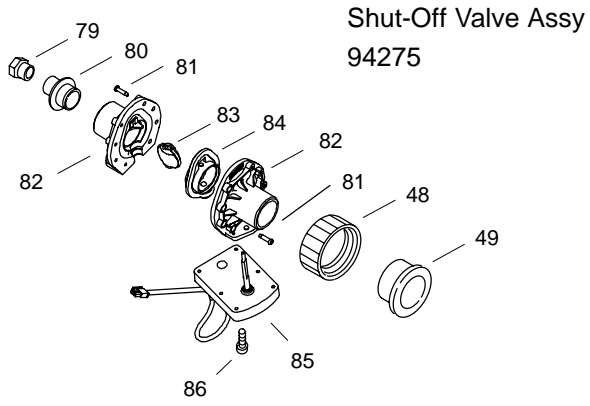


Suction Assy for Pump 60910



Heater Assy

****Finish/color code must be specified when ordering.**



****Finish/color code must be specified when ordering.**

SERVICE PARTS

| ITEM | PART NO. | DESCRIPTION |
|------|----------|-------------------------------|
| 1 | 61972 | Tube |
| 2 | 65157 | Finger Nut |
| 3 | 65156** | Flange (AA/H-AA Model) |
| | 73513 | Flange (N/H1-AA Model) |
| 4 | 67429 | Jet Flange |
| 5 | K-9695** | Trim Kit |
| 6 | 65036 | Flange |
| 7 | 65355 | Spacer |
| 8 | 67999** | Cover |
| 9 | 65054 | Screw |
| 10 | 65226** | Plug |
| 11 | 91017 | Check Valve |
| 12 | | Available in Service Kit Only |
| 13 | 67665 | Plug |
| 14 | 67889 | Housing |
| 15 | 94821 | O-Ring |
| 16 | 60848 | Connector (AA Model) |
| | 60845 | Connector (H-AA Model) |
| | 93709 | Connector (N/H1-AA Model) |
| 17 | 60979 | Slip Nut (AA/H-AA Model) |
| | 60979-A | Slip Nut (N/H1-AA Model) |
| 18 | 60797 | Tee |
| 19 | 65287 | Tube (AA Model) |
| | 65358 | Tube (H-AA Model) |
| | 94554 | Tube (N/H1-AA Model) |
| 20 | | Available in Service Kit Only |
| 21 | 66265 | Coupling (AA/H-AA Model) |
| | 61249 | Coupling (N/H1-AA Model) |
| 22 | 65056 | Elbow (AA/H-AA Model) |
| | 93685 | Elbow (N/H1-AA Model) |
| 23 | 65885 | Gasket |
| 24 | 65036 | Flange |
| 25 | 65069 | Tube |
| 26 | 65122 | Elbow |
| 27 | 61072 | Tube |
| 28 | 68686 | Cord |
| 29 | 68705 | Switch |
| 30 | 65198 | Circuit Board |
| 31 | 60340 | Cover |
| 32 | 65186 | Knob |
| 33 | 60540 | Thermostat |
| 34 | 65194 | Heater Flange |
| 35 | 69079 | Screw |
| 36 | 63563 | Screw |
| 37 | 60320 | Screw |
| 38 | 64468 | Washer |
| 39 | 67264 | Strain Relief Bushing |
| 40 | 64463 | Washer |
| 41 | 65196 | Heater Tube |
| 42 | 65197 | O-Ring |
| 43 | 90153 | Nut |
| 44 | 93538 | Neck Switch |
| 45 | 60559 | Elbow (AA Model) |
| | 61213 | Elbow (N/H1-AA Model) |
| 46 | 73518 | Plug |
| 47 | 65331 | Band Seal |
| 48 | 60979 | Slip Nut |
| 49 | 60848 | Connector |
| 50 | 69589 | Bushing |
| 51 | 66537 | Circuit Board |
| 52 | 91239 | Air Switch |
| 53 | 67065 | Lug |
| 54 | 91355 | Washer |
| 55 | 65160 | Enclosure |
| 56 | 65193 | Support |
| 57 | 62959 | Screw |
| 58 | 64212 | Washer |
| 59 | 65328 | Strap |
| 60 | 65329 | Bracket, Strap |
| 61 | 68693 | Cord Grip |
| 62 | 67264 | Cord Grip |
| 63 | 30774 | Switch (H-AA Model) |
| | 30775 | Switch (AA Model) |
| 64 | 500405 | Decal (H-AA Model) |
| | 500406 | Decal (AA Model) |

SERVICE PARTS

| ITEM | PART NO. | DESCRIPTION |
|------|----------|------------------------------|
| 65 | 73589 | Switch, Assy (N/H1-AA Model) |
| 66 | 73521 | Switch, Wire |
| 67 | 93765** | Switch, Cover |
| 68 | 94318-C | Hose |
| 69 | 93511** | Cover |
| 70 | 93493 | Sensor |
| 71 | 93931 | Screw |
| 72 | 93509 | Neck Jet Body |
| 73 | 93542 | Neck Jet Gasket |
| 74 | 93823 | Nut |
| 75 | 93848 | Elbow |
| 76 | 93948-B | Hose |
| 77 | 94726-A | Pillow Cover, White |
| | 94726-B | Pillow Cover, Black |
| 78 | 94377 | Pillow |
| 79 | 94268 | Bushing |
| 80 | 94274 | Adapter |
| 81 | 50506 | Screw |
| 82 | 94095 | Body |
| 83 | 94093 | Butterfly |
| 84 | 94094 | Seal |
| 85 | 94273 | Motor |
| 86 | 63149 | Screw |
| 87 | 60985 | Shaft Seal |
| 88 | 73558 | O-Ring |
| 89 | 73559 | Nut |
| 90 | 21998 | Screw |
| 91 | 74705 | Barrier |
| 92 | 73569 | Base |
| 93 | 94812 | Screw |
| 94 | 73573 | Motor |
| 95 | 94287 | Bushing |
| 96 | 94285 | Interconnect Cord |
| 97 | 73577 | Impeller |
| 98 | 73575 | Cover |
| 99 | 73580 | Circuit Board |
| 100 | 93820 | Capacitor |
| 101 | 94062 | Spacer |
| 102 | 91150 | Bolt |
| 103 | 60911 | Motor |
| 104 | 60994 | Impeller |
| 105 | 60972 | Slinger |
| 106 | 60927 | Volute Assy |
| 107 | 74823 | End Cap |
| 108 | 60912 | Shim Kit |
| 109 | 60981 | O-Ring |
| 110 | 60926 | Cover |
| 111 | 60982 | Screw |
| 112 | 62726 | Screw |
| 113 | 73515-A | Isolation Mount |
| 114 | 94408 | Cover |
| 115 | 94415 | Circuit Board |
| 116 | 94416 | Insulation |
| 117 | 94450 | Wire |
| 118 | 61776 | Washer |
| 119 | 94407 | Box |
| 120 | 73598 | Screw |
| 121 | 73594 | Motor y |
| 122 | 73596 | Seal |
| 123 | 73593 | Body |
| 124 | 73597 | Plate |
| 125 | 93411 | Bracket |
| 126 | 97146 | Screw |
| 127 | 93325 | Cannister |
| 128 | 93326 | Rotor |
| 129 | 97143 | O-Ring |
| 130 | 91930 | Shaft Assy |
| 131 | 92024 | Spacer |
| 132 | 94403 | Motor |
| 133 | 97145 | Screw |
| 134 | 94269 | Mounting Plate |
| 135 | 91820 | Sleeve |

**Finish/color code must be specified when ordering.

SERVICE PARTS

| ITEM | PART NO. | DESCRIPTION |
|------|----------|-------------------|
| 136 | 91819 | Grommet |
| 137 | 94405 | Screw |
| 138 | 95045 | Screw |
| 139 | 94307 | Connector |
| 140 | 92076 | Adapter |
| 141 | 60714 | Elbow |
| 142 | 94409 | Reducer |
| 143 | 61536 | Elbow |
| 144 | 91246** | Access Panel |
| 145 | 91249** | Molding Assy |
| 146 | 91245** | Apron |
| 147 | 91250** | Molding Assy |
| 148 | 65387 | Heater Bracket |
| 149 | 90154 | Locknut |
| 150 | 67095 | Washer |
| 151 | 90896** | Beam Assy, Bath |
| 152 | 90898** | Beam Assy, Shower |
| 153 | 90897** | Corner Post Assy |
| 154 | 90878** | Trim, Apron |
| 155 | 90908 | Screw |
| 156 | 90918 | Wood Block |
| 157 | 23093 | Screw |
| 158 | 69472 | Washer |
| 159 | 90002 | Block, Wedge |
| 160 | 69307 | Screw |
| 161 | 64163 | Screw |
| 162 | 61563 | Tee |

SERVICE KITS

| PART NO. | ITEM | QTY. | DESCRIPTION |
|----------|------|-------|--------------------------|
| 500460 | | | Control Assy |
| | 37 | 6 ea. | Screw |
| | 50 | 1 ea. | Bushing |
| | 51 | 1 ea. | Circuit Board |
| | 52 | 1 ea. | Air Switch |
| | 53 | 3 ea. | Lug |
| | 54 | 1 ea. | Washer |
| | 55 | 1 ea. | Enclosure |
| | 56 | 2 ea. | Support |
| | 57 | 1 ea. | Screw |
| | 58 | 1 ea. | Washer |
| | 59 | 1 ea. | Strap |
| | 60 | 1 ea. | Bracket, Strap |
| 94260 | | | Control Assy |
| | 37 | 3 ea. | Screw |
| | 114 | 1 ea. | Cover |
| | 115 | 1 ea. | Circuit Board |
| | 116 | 1 ea. | Insulation |
| | 117 | 1 ea. | Wire |
| | 118 | 1 ea. | Washer |
| | 119 | 1 ea. | Box |
| 94275 | | | Shut-Off Valve Assy |
| | 48 | 1 ea. | Slip Nut |
| | 49 | 1 ea. | Connector |
| | 79 | 1 ea. | Bushing |
| | 80 | 1 ea. | Adapter |
| | 81 | 8 ea. | Screw |
| | 82 | 2 ea. | Body |
| | 83 | 1 ea. | Butterfly |
| | 84 | 1 ea. | Seal |
| | 85 | 1 ea. | Motor |
| | 86 | 1 ea. | Screw |
| 73592 | | | Variable Flow Valve Assy |
| | 48 | 1 ea. | Slip Nut |
| | 49 | 1 ea. | Connector |
| | 120 | 2 ea. | Screw |
| | 121 | 1 ea. | Motor |
| | 122 | 1 ea. | Seal |
| | 123 | 1 ea. | Body |
| | 124 | 1 ea. | Plate |
| 93590 | | | Neck Jet Manifold |
| | 70 | 1 ea. | Sensor |
| | 71 | 1 ea. | Screw |
| | 72 | 1 ea. | Neck Jet Body |
| 73572 | | | Pump (w/Integral Heater) |
| | 87 | 1 ea. | Seal |
| | 88 | 1 ea. | O-Ring |
| | 89 | 4 ea. | Nut |
| | 90 | 4 ea. | Screw |
| | 91 | 1 ea. | Barrier |
| | 92 | 1 ea. | Base |
| | 93 | 4 ea. | Screw |
| | 94 | 1 ea. | Motor |
| | 95 | 1 ea. | Bushing |
| | 96 | 1 ea. | Interconnect Cord |
| | 97 | 1 ea. | Impeller |
| | 98 | 1 ea. | Cover |
| | 99 | 1 ea. | Circuit Board |
| | 100 | 1 ea. | Capacitor |
| | 101 | 1 ea. | Spacer |
| 93829 | | | Pump (w/Integral Heater) |
| | 87 | 1 ea. | Shaft Seal |
| | 88 | 1 ea. | O-Ring |
| | 89 | 4 ea. | Nut |
| | 90 | 4 ea. | Screw |
| | 91 | 1 ea. | Barrier |
| | 92 | 1 ea. | Base |
| | 93 | 4 ea. | Screw |
| | 94 | 1 ea. | Motor |
| | 97 | 1 ea. | Impeller |
| | 98 | 1 ea. | Cover |
| | 99 | 1 ea. | Circuit Board |
| | 100 | 1 ea. | Capacitor |
| | 101 | 1 ea. | Spacer |

SERVICE KITS

| PART NO. | ITEM | QTY. | DESCRIPTION |
|----------|------|-------|------------------------------------|
| 93838 | | | 1" Tube Kit |
| | 12 | 1 ea. | Tube |
| | | 2 ea. | Coupling |
| 93839 | | | 1 1/4" Tube Kit (AA/AB/AC Model) |
| | 20 | 1 ea. | Tube |
| | | 2 ea. | Coupling |
| 94853 | | | 1 1/2" Tube Kit (N-AA/H1-AA Model) |
| | 20 | 1 ea. | Tube |
| | | 2 ea. | Coupling |
| 65182 | | | Whirlpool Heater Assy |
| | 28 | 1 ea. | Cord |
| | 29 | 1 ea. | Switch |
| | 30 | 1 ea. | Circuit Board |
| | 31 | 1 ea. | Cover |
| | 32 | 1 ea. | Knob |
| | 33 | 1 ea. | Thermostat |
| | 34 | 1 ea. | Heater Flange |
| | 35 | 2 ea. | Screw |
| | 36 | 1 ea. | Screw |
| | 37 | 1 ea. | Screw |
| | 38 | 1 ea. | Washer |
| | 39 | 1 ea. | Strain Relief Bushing |
| | 40 | 1 ea. | Washer |

**Finish/color code must be specified when ordering.

SERVICE KITS

| PART NO. | ITEM | QTY. | DESCRIPTION |
|----------|------|-------|----------------------|
| 60910 | | | Pump |
| | 87 | 1 ea. | Shaft Seal |
| | 102 | 4 ea. | Bolt |
| | 103 | 1 ea. | Motor |
| | 104 | 1 ea. | Impeller |
| | 105 | 1 ea. | Slinger |
| | 106 | 1 ea. | Volute Assy |
| | 107 | 1 ea. | End Cap |
| | 108 | 1 ea. | Shim Kit |
| | 109 | 1 ea. | O-Ring |
| | 110 | 1 ea. | Cover |
| | 111 | 6 ea. | Screw |
| | 112 | 2 ea. | Screw |
| 94270 | | | Pulse Generator Assy |
| | 125 | 1 ea. | Bracket |
| | 126 | 4 ea. | Screw |
| | 127 | 1 ea. | Can |
| | 128 | 1 ea. | Rotor |
| | 129 | 1 ea. | O-Ring |
| | 130 | 1 ea. | Shaft Assy |
| | 131 | 1 ea. | Spacer |
| | 132 | 1 ea. | Motor |
| | 133 | 4 ea. | Screw |

****Finish/color code must be specified when ordering.**