

Ordering Information

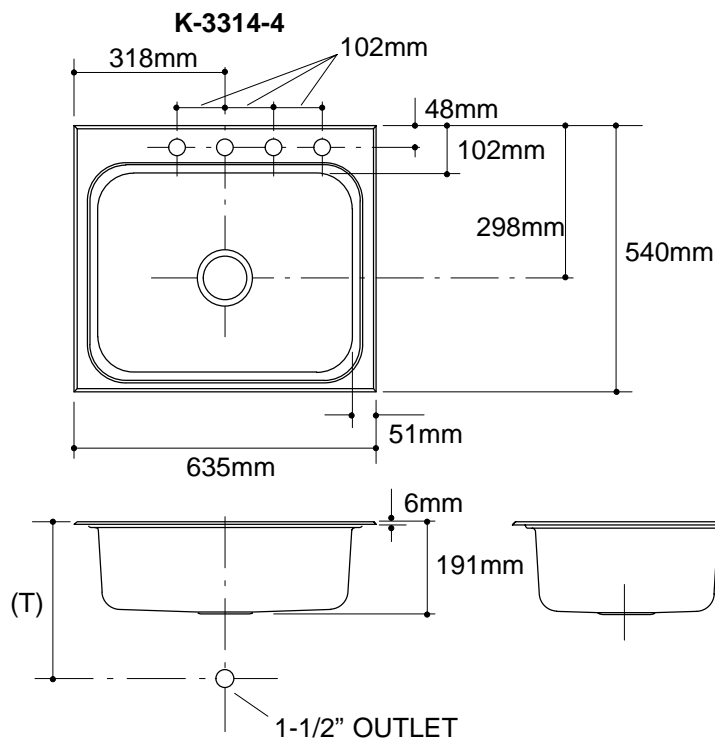
Applicable product:		
Four-hole sink	K-3314-4	shown
Three-hole sink	K-3314-3	not shown
Accessories/hardware:		
Hardwood cutting board	K-3293	optional

Product Information

Fixture*:		basin area	water depth
Sink		533 x 381mm	178mm
Outlet	Ø92mm		
Faucet holes	Ø37mm		
* Approximate measurements for comparison only.			
Included Components:			
Fastener pack			90208

Installation Notes

Refer to installation instructions included with fixture before beginning installation.



Roughing-In Notes	
Fixture dimensions are nominal and conform to tolerances in ASME/ANSI Standard A112.19.3M.	
(T) Drain typically 325mm.	
Cutout	622 x 527mm with 13mm radius corners.

116