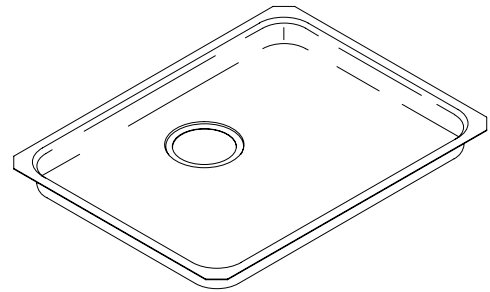


FEATURES

- 21-1/4" x 15-3/4" x 2"
- 18 gauge stainless steel
- Undercounter
- Single compartment prep tray
- Includes installation hardware



CODES/STANDARDS APPLICABLE

Specified model meets or exceeds the following:

- None applicable

COLORS/FINISHES

- NA None Applicable

Accessories:

- CP Polished Chrome
- 0 White
- Other Refer to Faucets Price Book for additional finishes
- NA None Applicable

SPECIFIED MODEL:

Model	Description	Colors/Finishes
K-3340	Undercounter sink	<input type="checkbox"/> NA

Optional Accessories		
K-3192	Bottom basin rack	<input type="checkbox"/> 0 White <input type="checkbox"/> Other_____
K-3294	Hardwood cutting board	<input type="checkbox"/> NA
K-8801	Duostrainer sink strainer	<input type="checkbox"/> CP <input type="checkbox"/> Other_____
K-8813	Stainless steel sink strainer	<input type="checkbox"/> CP
K-8814	Stainless steel sink strainer	<input type="checkbox"/> CP

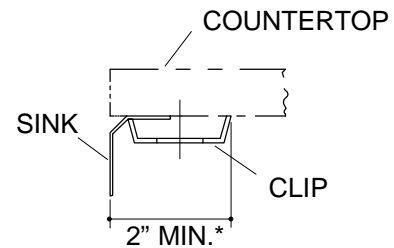
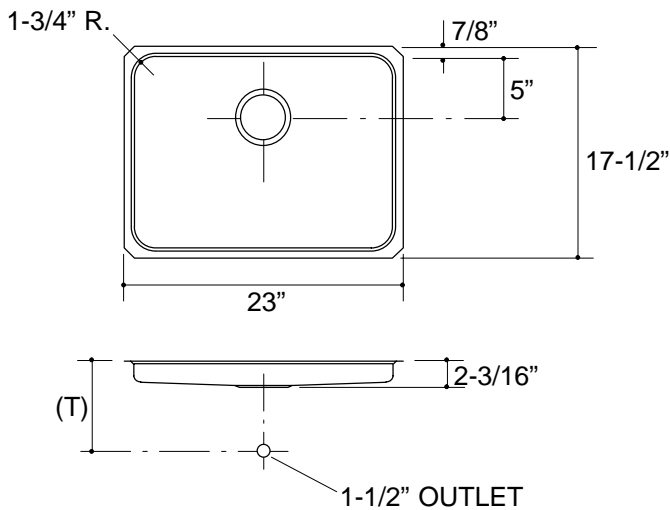
PRODUCT SPECIFICATION:

The undercounter sink shall be 21-1/4" in length, 15-3/4" in width, and 2" in depth. Sink shall be made of 18 gauge stainless steel. Sink shall be single compartment with prep tray. Sink shall include installation hardware. Sink shall be Kohler Model K-3340-_____.

UNDERTONE™

PRODUCT INFORMATION

Fixture*:		basin area	water depth
Sink		21" x 16"	2"
Outlet	3-5/8" D.		
* Approximate measurements for comparison only.			
Included Components:			
Hardware kit		91915	
Cutout template		113193	



Roughing-In Notes

(T) Drain typically 7-9/16".

*Allow clearance around sink rim for clip attachment.

PRODUCT DIAGRAM