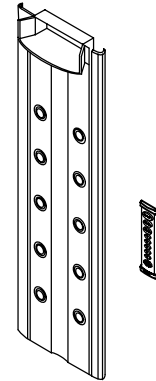


### FEATURES

- 16-1/8" x 11-7/8" x 62-3/4"
- Aluminum tower
- Five pairs of BodySpa jets
- Lighted waterfall
- Electronic touch pad control
- Recirculating pump delivers flows up to 80 gallons per minute of powerful hydro-massage (pump included with footbath)
- Order one Tower, Bath/Footbath, and Enclosure for each complete BodySpa installation
- Order one Tower Pump Kit, and drain for each complete BodySpa Custom installation



### CODES/STANDARDS

Specified model meets or exceeds the following:

- IAPMO/UPC
- Underwriters Laboratories (UL)

### COLORS/FINISHES

- CP Polished Chrome
- PB Polished Brass
- CW White with Polished Chrome
- PW White with Polished Brass

#### Accessories:

- 0 White
- Other Refer to Fixtures Price Book for additional colors
- SS Satin Silver
- SB Satin Brass
- CP Polished Chrome
- PB Polished Brass

### SPECIFIED MODEL:

Model	Description	Colors/Finishes			
K-1000	10-Jet Tower	<input type="checkbox"/> CP	<input type="checkbox"/> PB	<input type="checkbox"/> CW	<input type="checkbox"/> PW
<b>Required Accessories</b>					
K-1001	BodySpa Custom Tower Pump kit	<input type="checkbox"/> CP	<input type="checkbox"/> PB	<input type="checkbox"/> 0 White	
K-1005	Corner footbath <b>OR</b>	<input type="checkbox"/> 0 White		<input type="checkbox"/> Other_____	
K-1015	Alcove footbath, LH <b>OR</b>	<input type="checkbox"/> 0 White		<input type="checkbox"/> Other_____	
K-1016	Alcove footbath, RH	<input type="checkbox"/> 0 White		<input type="checkbox"/> Other_____	
K-5161-L	BodySpa Alcove enclosure (shower doors) <b>OR</b>	<input type="checkbox"/> SS	<input type="checkbox"/> SB		
K-5162-L	BodySpa Corner enclosure (shower doors)	<input type="checkbox"/> SS	<input type="checkbox"/> SB		
<b>Recommended Accessories</b>					
K-7179	BodySpa Custom Drain	<input type="checkbox"/> CP	<input type="checkbox"/> PB		

### PRODUCT SPECIFICATION:

The 10-Jet tower shall be 16-1/8" in length, 11-7/8" in width, and 62-3/4" in height. Tower shall be made of aluminum. Tower shall have five pairs of BodySpa jets. Tower shall have lighted waterfall. Tower shall have electronic touch pad control. Footbath recirculating pump shall deliver flows up to 80 gallons per minute of powerful hydro-massage. Tower shall be configured with BodySpa Footbath, and BodySpa Enclosure. BodySpa Custom Tower Pump Kit shall be configured with BodySpa Custom Drain or equivalent. Tower shall be Kohler Model K-1000-\_\_\_\_\_.

# BODYSPA

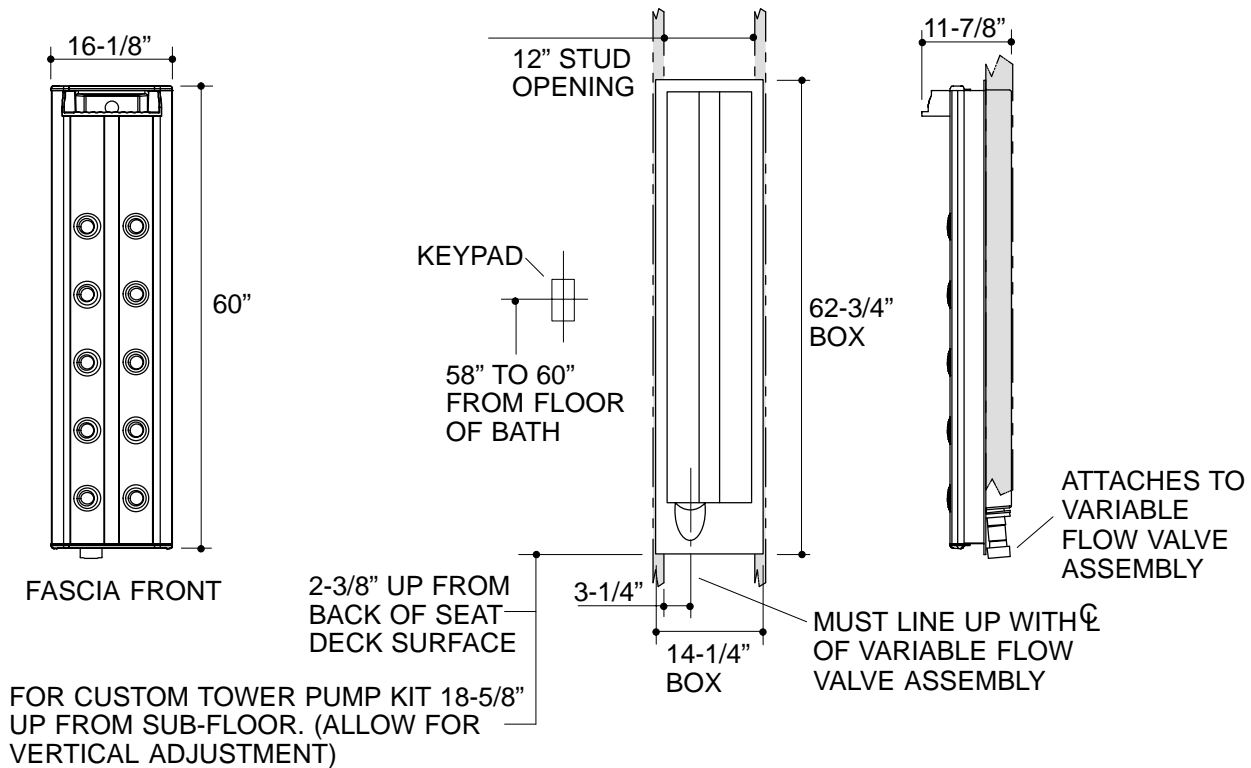
## PRODUCT INFORMATION

Fixture:	
Weight	50 lbs.

## INSTALLATION NOTES

Locate keypad within the boundaries of the enclosure. 10' cable is included.

The BodySpa with K-5161/K-5162 is not designed for steam applications, and may not perform satisfactorily as a steam unit.



1.25>132

## PRODUCT DIAGRAM

K-1000 BodySpa 10-Jet Tower

Page 2 of 2

114176-4-CA (-)

THE BOLD LOOK  
OF **KOHLER**