

Ordering Information

| Accessories/hardware: | | |
|-----------------------|--------|----------|
| Alcove receptor, RH | K-1016 | required |
| Alcove receptor, LH | K-1015 | |
| Alcove receptor, RH | K-1036 | |
| Alcove receptor, LH | K-1035 | |
| Alcove receptor, RH | K-1046 | |
| Alcove receptor, LH | K-1045 | |

Product Information

| Fixture: | |
|------------------------|----------|
| Weight | 150 lbs. |
| Glass, tempered safety | clear |

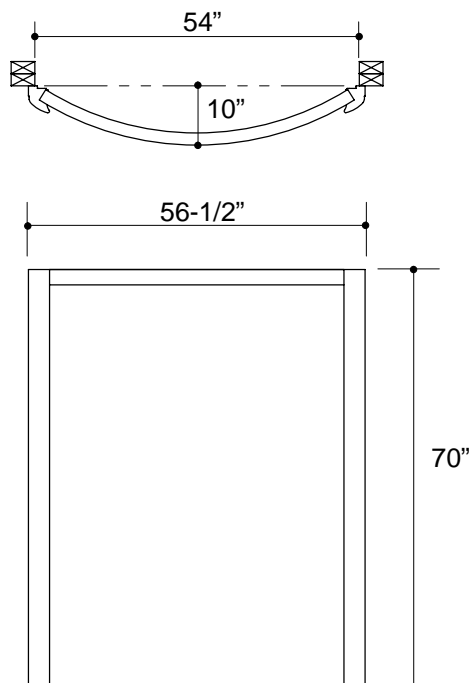
Installation Notes

Refer to installation instructions included with fixture before beginning installation.

Allow 83-1/2" to 84" from sub-floor to finished ceiling or header for proper enclosure installation.

Top of unit must be enclosed to retain heat and contain water spray.

The BodySpa is not designed for steam applications, and may not perform satisfactorily as a steam unit.



Roughing-In Notes

Glass conforms to ANSI Z97.1.

Leave studs exposed. Shower enclosure wall jambs must be installed directly to studs.