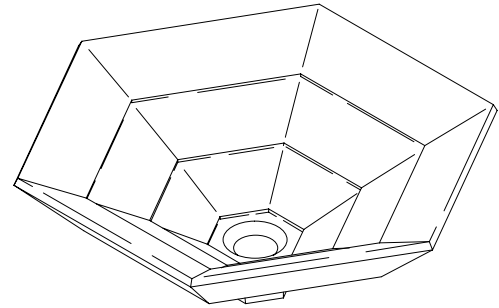


### HEX STRATA LAVATORY

# K-2203

#### FEATURES

- 19-5/8" x 17-1/8"
- Vitreous china
- Above-the-counter
- With sealant



#### CODES/STANDARDS APPLICABLE

Specified model meets or exceeds the following:

- ASME/ANSI A112.19.2M
- IAPMO/UPC
- Canadian Standards Association (CSA)
- State of Massachusetts

#### COLORS/FINISHES

- 0 White
- Other Refer to Fixtures Price Book for additional colors

#### Accessories:

- CP Polished Chrome
- Other Refer to Faucets Price Book for additional finishes

#### SPECIFIED MODEL:

| Model    | Description                               | Colors/Finishes                  |                                     |
|----------|---|----------------------------------|-------------------------------------|
|          |   | <input type="checkbox"/> 0 White | <input type="checkbox"/> Other_____ |
| K-2203   | Hex Strata lavatory                       | <input type="checkbox"/> 0 White | <input type="checkbox"/> Other_____ |
| K-2203-G | Hex Strata lavatory with glazed underside | <input type="checkbox"/> 0 White | <input type="checkbox"/> Other_____ |

| Recommended Accessories |   |                             |                                     |
|-------------------------|---|-----------------------------|-------------------------------------|
| K-9018                  | Trap  | <input type="checkbox"/> CP | <input type="checkbox"/> Other_____ |
| K-7702                  | Pop-up drain with undercounter-mount actuator <b>OR</b> | <input type="checkbox"/> CP | <input type="checkbox"/> Other_____ |
| K-7710                  | Drain <b>OR</b>   |                             | <input type="checkbox"/> CP         |
| K-7715                  | Grid drain  | <input type="checkbox"/> CP | <input type="checkbox"/> Other_____ |

#### PRODUCT SPECIFICATION:

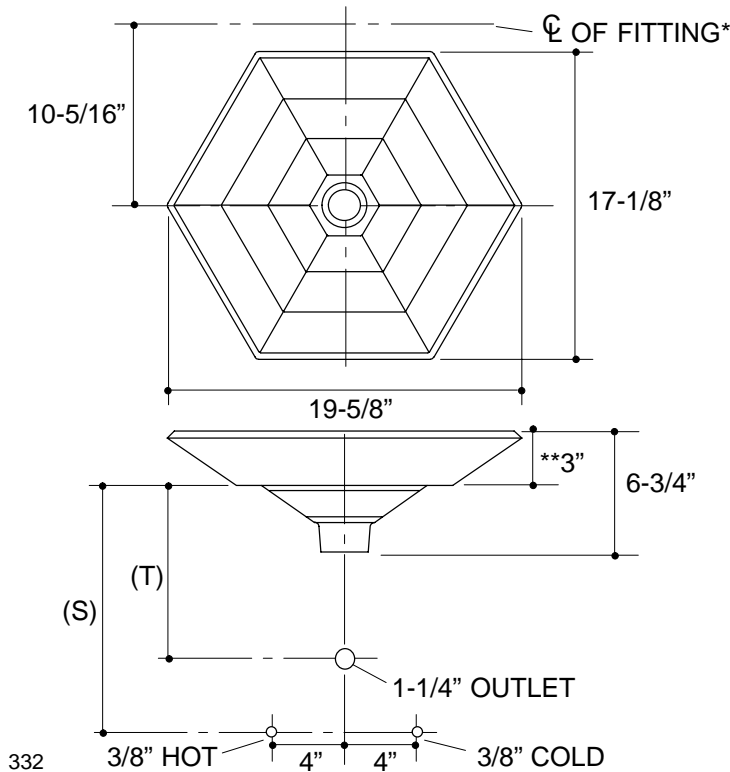
The hexagonal lavatory shall be 19-5/8" in length, and 17-1/8" in width. Lavatory shall be made of vitreous china. Lavatory shall be either be above the counter. Lavatory shall include sealant. Lavatory shall be Kohler Model K-2203-\_\_\_\_\_-\_\_\_\_\_.

## PRODUCT INFORMATION

|   |           |            |             |
|---|-----------|------------|-------------|
| Fixture*:                                       |           | basin area | water depth |
| Lavatory  |           | 19" x 16"  | 4-1/4"      |
| Outlet  | 1-3/4" D. |            |             |
| * Approximate measurements for comparison only. |           |            |             |
| Included Components:                            |           |            |             |
| Adhesive sealant                                |           |            | 81489       |
| Adjustable linkage                              |           |            | 84474       |
| Cutout template                                 |           |            | 114430-7    |

## INSTALLATION NOTES

Product does not have an overflow.



### Roughing-In Notes

(T) Pop-up drain 9-3/8".

(S) 14" (Based on 12" riser which may require cutting).

\*Spout must be 5" long (min.) for adequate clearance into lavatory when installed with centerline as shown.

\*\*Spout must be tall enough to clear 3" rim height and provide a 1" air gap per ASME A112.1.2

## PRODUCT DIAGRAM