

### Ordering Information

Applicable bath and shower faucet trim:	
With lever handle	K-T15871-4K*
With stacked handle (CP, PB)	K-T15871-7K*
With stacked handle (white) with PB accents	K-T15871-7N*

*Insert required to complete lever handle:	
with acrylic insert	K-15855-4R
with white porcelain insert	K-15855-4P
with polished chrome insert	K-15855-4M
with polished brass insert	K-15855-4N

*Insert required to complete stacked handle:	
with polished chrome insert	K-15855-7M
with polished brass insert	K-15855-7N

**ADA** Lever handles are ADA compliant

Applicable Rite-Temp valve:		
Less stops	K-15701-K	required**
With stops	K-15701-KS	required**

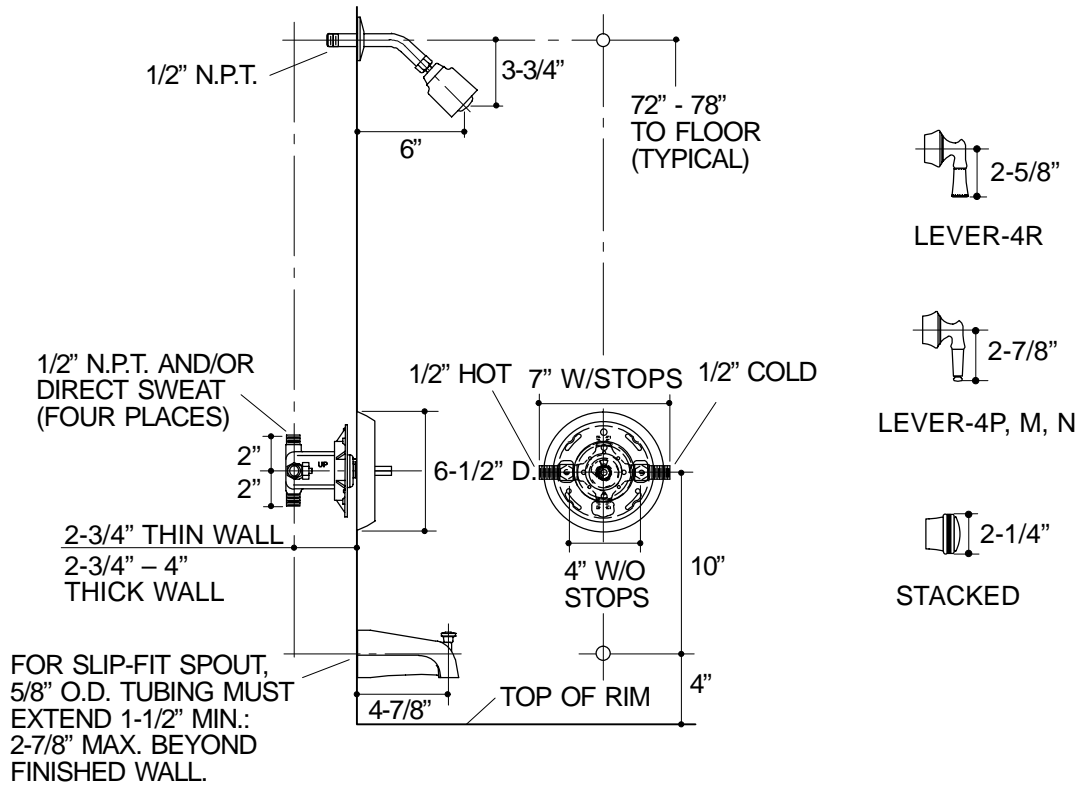
\*\*Required for configuration illustrated.

### Installation Notes

Avoid cross-flow conditions. Do not install shut-off device on either valve outlet.

Cap shower outlet if deck-mount spout, diverter, or handshower is connected to spout outlet.

Install straight pipe or tube drop of 7 to 18" with single elbow between valve and wall-mount spout.



332

**K-T15871, K-15701** Coralais™ Bath and Shower Faucet Trim  
114985-1-DA (-)

**KOHLER<sup>®</sup>**

**NOTES:**