

**SHELF-BACK LAVATORY FAUCET
K-13322-5**

ADA

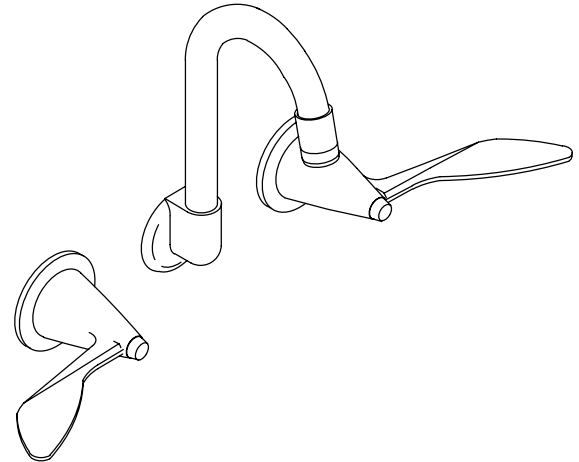
FEATURES

- Brass construction
- For 5-1/2" centers
- Brass valve bodies
- Quarter-turn washerless ceramic disc valves
- 3-3/8" gooseneck spout
- 2.0 gallons per minute
- Wristblade handles

CODES/STANDARDS APPLICABLE

Specified model meets or exceeds the following:

- ASME/ANSI A112.18.1M
- California Energy Commission
- Energy Policy Act of 1992
- IAPMO/UPC
- NSF 14



COLORS/FINISHES

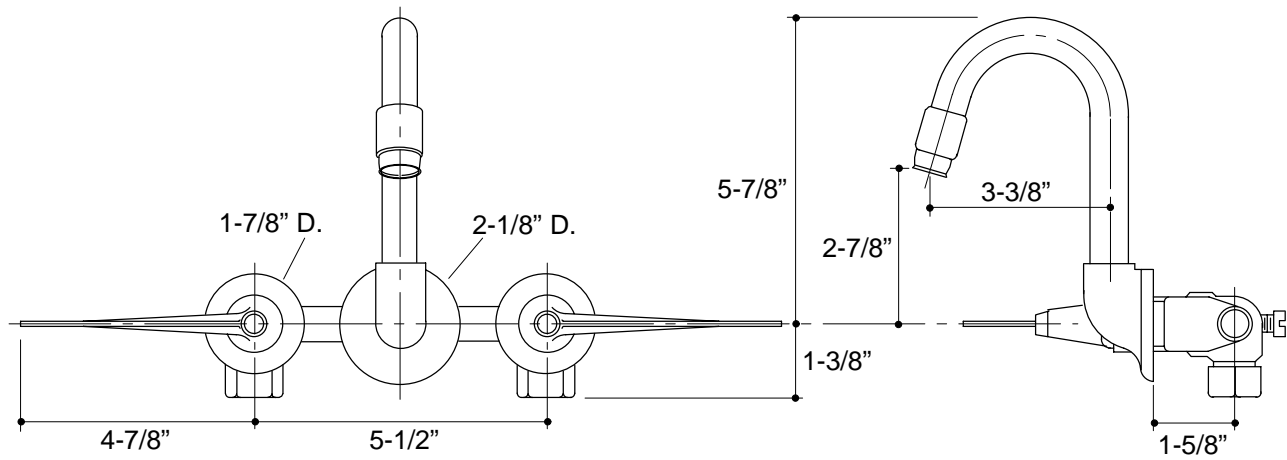
- CP Polished Chrome

SPECIFIED MODEL:

Model	Description	
K-13322-5	Finesse Shelf-Back Lavatory Faucet	<input type="checkbox"/> CP

PRODUCT SPECIFICATION:

Two-handle widespread shelf-back lavatory faucet shall be of brass construction. Faucet shall feature brass valve bodies. Faucet shall feature quarter-turn washerless ceramic disc valves, assuring positive handle stop positioning. Product shall be less drain. Product shall include 5-1/2" centers, 3-3/8" gooseneck spout, and wristblade handles. Faucet shall be Kohler Model K-13322-5-CP.



PRODUCT DIAGRAM