

**POWER SUPPLY**  
**K-13684**

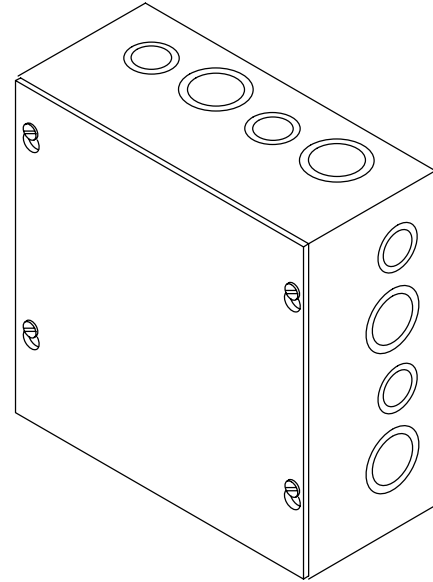
**FEATURES**

- Metal construction
- Accommodates up to six electronic AC Touchless™ faucets or AC Touchless urinal valves

**CODES/STANDARDS APPLICABLE**

Specified model meets or exceeds the following:

- ASME/ANSI A112.18.1M
- CSA B125
- Underwriter's Laboratory (UL)



**COLORS/FINISHES**

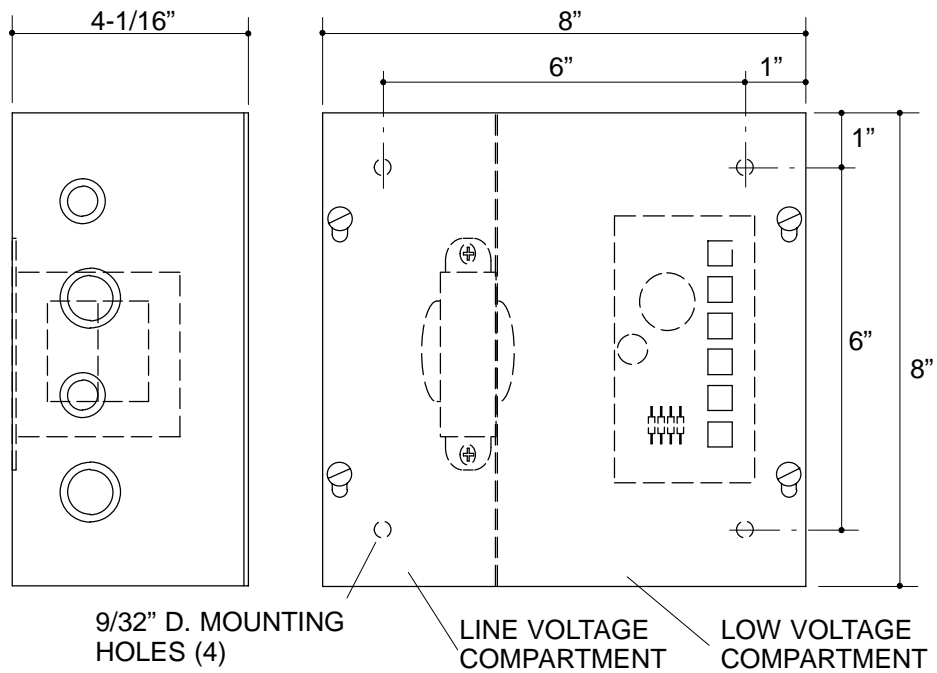
- NA Not applicable

**SPECIFIED MODEL:**

Model	Description	
K-13684	Multiple Touchless Power Supply	<input type="checkbox"/> NA

**PRODUCT SPECIFICATION:**

Multiple Touchless power supply accommodates installations of up to six electronic AC Touchless faucets or AC Touchless urinal valves. Product shall be Kohler Model K-13684-NA.



516

## PRODUCT DIAGRAM