

**FIBERGLASS INSTALLATION PLATE
K-15145**

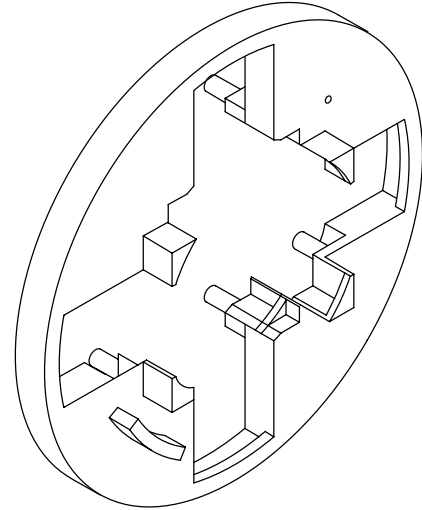
FEATURES

- Provides optional reinforcement when installing valve to fiberglass or acrylic modules with 1/8" minimum to 7/8" maximum wall thickness typical
- Intended for installation with all Coralais single-control and mixing bath and shower valves

CODES/STANDARDS APPLICABLE

Specified model meets or exceeds the following:

- ASME/ANSI A112.18.1M



COLORS/FINISHES

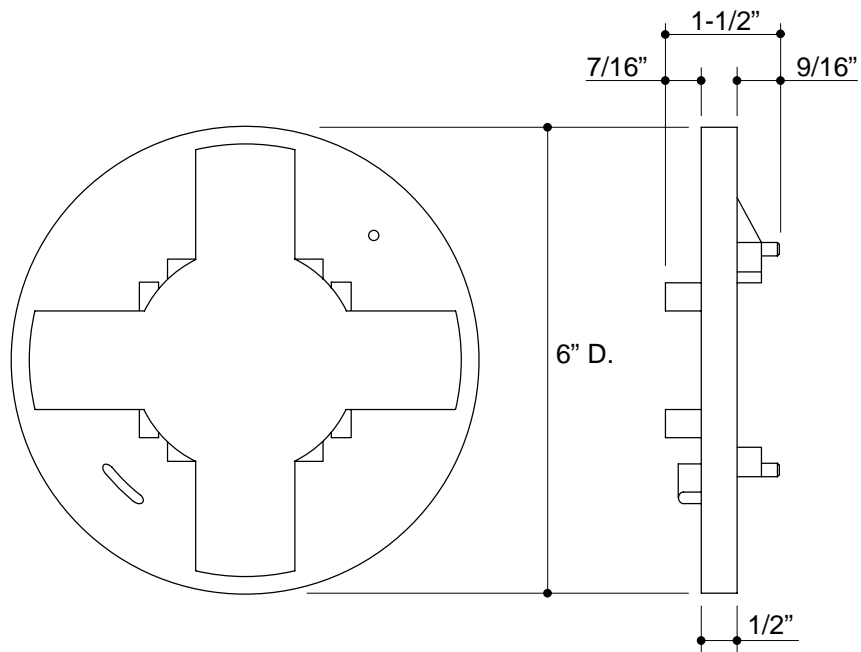
- NA Not applicable

SPECIFIED MODEL:

Model	Description	
K-15145	Fiberglass Installation Plate	<input type="checkbox"/> NA

PRODUCT SPECIFICATION:

The installation plate shall be of plastic construction. The plate shall provide optional reinforcement when installing valves to fiberglass or acrylic modules with 1/8" minimum to 7/8" maximum wall thickness typical. Product is intended for all Coralais single-control and mixing bath and shower valves. Installation plate shall be Kohler Model K-15145-NA.



38

PRODUCT DIAGRAM