

## Ordering Information

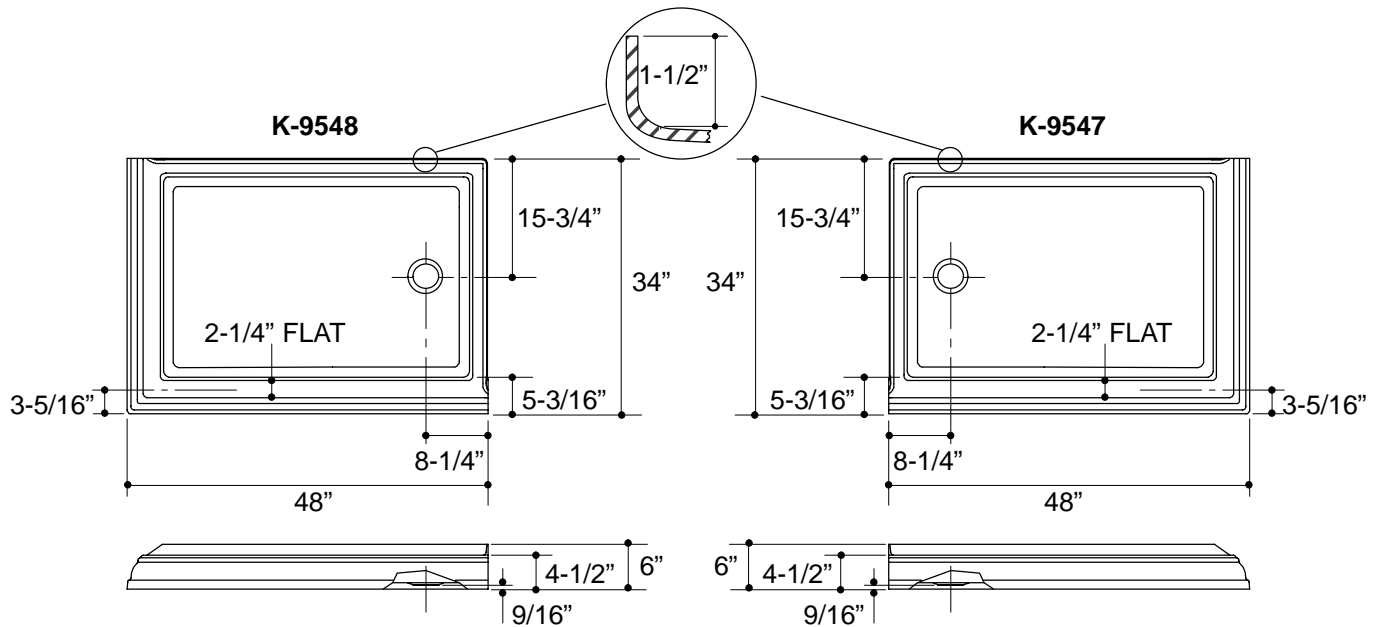
Applicable receptor:		
48" x 34" with outlet on left	K-9547	shown
48" x 34" with outlet on right	K-9548	shown
Accessories/hardware:		
Drain	K-9132	recommended
Focal Corner Entry Shower Enclosure	K-701566	recommended

## Product Information

Fixture:	
Weight	36 lbs.
Drain Outlet	3-3/8" D.
Configuration	1-piece

## Installation Notes

Refer to installation instructions included with fixture before beginning installation.



### Roughing-In Notes

Fixture conforms to ANSI Standard Z124.2. All dimensions are nominal.

1.25>132