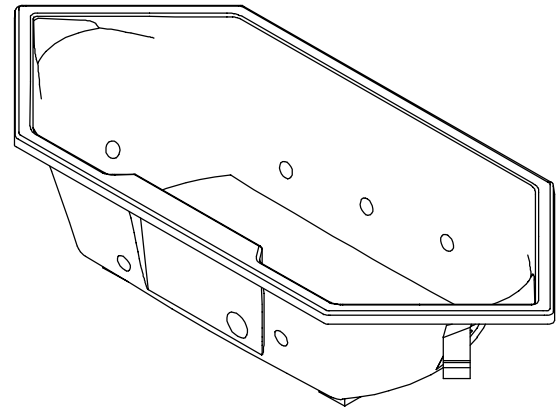


# K-1424-H, K-1434-H

## FEATURES

- 84-1/4" x 36" x 19-1/2"
- Acrylic
- Right or left hand pump
- System II - 1 hp 2-speed pump with integral heater and electronic switch
- 7 Flexjets
- UL Listed
- LESS ALL TRIM
- Optional K-1491 removable pillow
- Pump is supplied with a grounding-type plug-in cord



## CODES/STANDARDS APPLICABLE

Specified model meets or exceeds the following:

- ANSI Z124.1
- ASME/ANSI A112.19.7M
- IAPMO/UPC
- Underwriters Laboratories (UL)
- State of Massachusetts

## COLORS/FINISHES

- 0 White
- Other Refer to Fixtures Price Book for additional colors

### Accessories:

- CP Polished Chrome
- PB Polished Brass
- Other Refer to Faucets Price Book for additional finishes

## SPECIFIED MODEL:

Model	Description	Colors/Finishes	
K-1424-H	Right hand pump	<input type="checkbox"/> 0 White	<input type="checkbox"/> Other_____
K-1434-H	Left hand pump	<input type="checkbox"/> 0 White	<input type="checkbox"/> Other_____

Recommended Accessories				
K-7161-AF	Drain	<input type="checkbox"/> CP	<input type="checkbox"/> PB	<input type="checkbox"/> Other_____
Optional Accessories				
K-1491	Pillow (removable)	<input type="checkbox"/> 0 White	<input type="checkbox"/> Other_____	
Required Accessories				
K-9697	Flexjet trim kit	<input type="checkbox"/> CP	<input type="checkbox"/> PB	<input type="checkbox"/> Other_____

## PRODUCT SPECIFICATION:

The bath whirlpool shall be 84-1/4" in length, 36" in width, and 19-1/2" in height. Bath whirlpool shall be made of acrylic. Bath whirlpool shall have either right hand or left hand pump. Bath whirlpool shall have System II, with 7 Flexjets, 1 hp 2-speed pump, integral heater, and electronic switch. Bath whirlpool shall be UL listed. Bath whirlpool shall be less all trim. Bath whirlpool shall have optional K-1491 removable pillow. Bath whirlpool pump shall be supplied with a grounding-type plug-in cord. Bath whirlpool shall be Kohler Model K-\_\_\_\_\_-\_\_\_\_\_-\_\_\_\_\_.

# BRIOLETTE™

## REQUIRED ELECTRICAL SERVICE

Dedicated circuit required, protected with Class A Ground-Fault Circuit-Interrupter (GFCI):	
Pump/control	120 V., 20 A, 60 Hz

## PRODUCT INFORMATION

Fixture*:	basin area	top area	weight
Bathing well	49" x 25"	66" x 29"	110 lbs.
	water depth	capacity	
To overflow	13-1/2"	78 gal.	

\* Approximate measurements for comparison only.

Pump:	high HP	low HP	V	Hz	A
2-speed	1	1/8	120	60	16.5

Included Components:	
Cutout template	116165-7

## INSTALLATION NOTES

If installing a rim-mount faucet, make sure there is no interference with drain overflow and circulating system before drilling any holes. Consult local and national codes for minimum air gap requirements if installing a spout on the faucet deck.

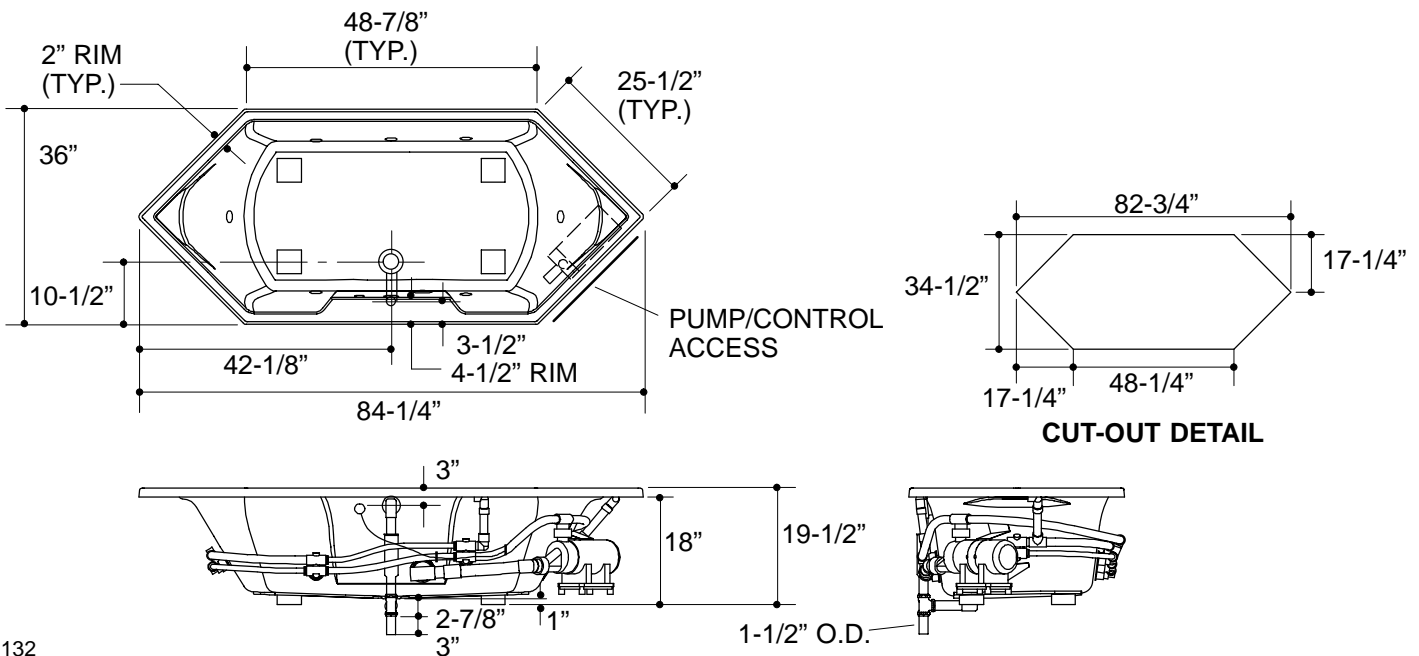
Each pump is supplied with a grounding type plug-in cord. Locate the outlet behind the whirlpool, and within 24" of the pump.

### Roughing-In Notes

No change in measurements if connected with drain illustrated.

Minimum access panel:

Pump/control	20" W x 15" H	required
--------------	---------------	----------



132

## PRODUCT DIAGRAM

K-1424-H, K-1434-H Briquette™ Bath Whirlpool

Page 2 of 2

116165-4-BA (B)

THE BOLD LOOK  
OF **KOHLER**®