

### Ordering Information

Applicable product:		
Four-hole sink	K-3347L-4 K-3347R-4	shown not shown
Three-hole sink	K-3347L-3 K-3347R-3	not shown not shown
Accessories/hardware:		
Hardwood cutting board	K-3293	optional

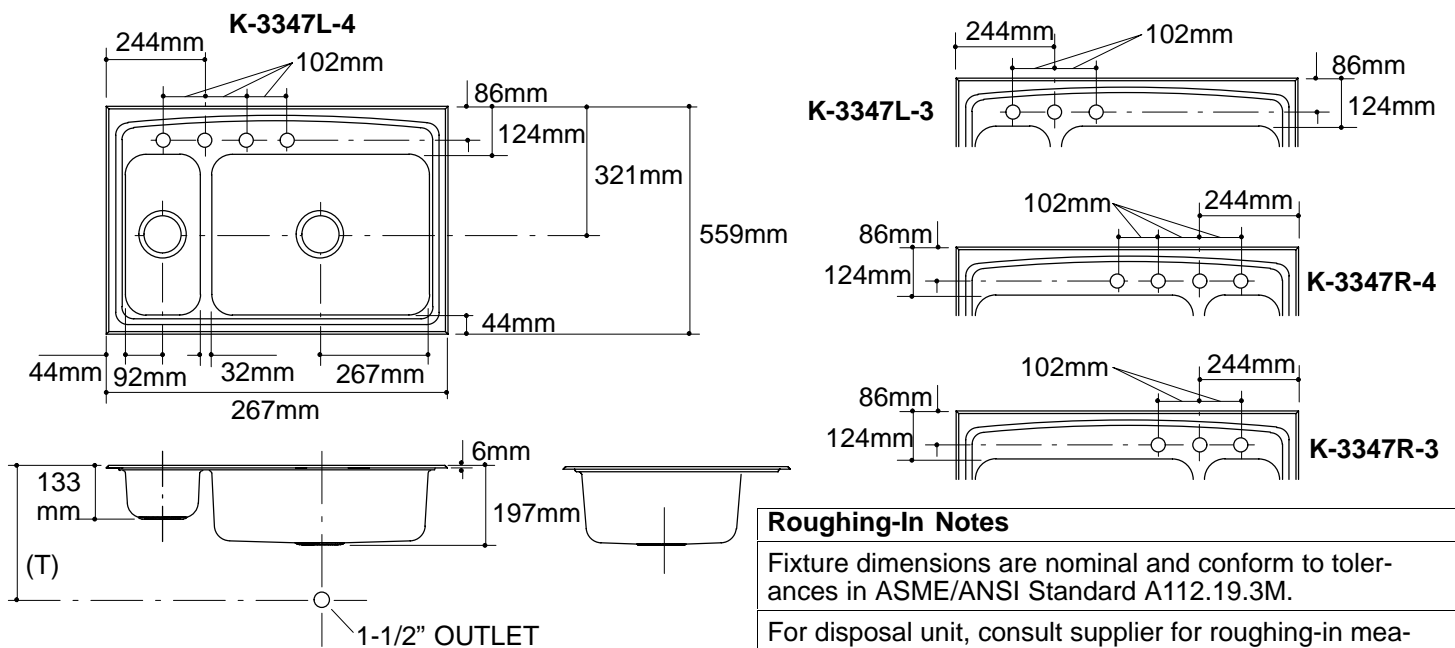
### Product Information

Fixture*:		basin area	water depth
Sink		533 x 381mm	178mm
Disposal		178 x 381mm	114mm
Outlet	Ø92mm		
Faucet holes	Ø37mm		
* Approximate measurements for comparison only.			

Included Components:	
Fastener kit	66407

### Installation Notes

Refer to installation instructions included with fixture before beginning installation.



<b>Roughing-In Notes</b>	
Fixture dimensions are nominal and conform to tolerances in ASME/ANSI Standard A112.19.3M.	
For disposal unit, consult supplier for roughing-in measurements.	
(T) Drain typically 333mm.	
Cutout	826 x 546mm with 13mm radius corners.

.85<116