

Stratus®

onestratus.com
888.503.1569

LOCATION NUMBER:

935656809

SITE ADDRESS:

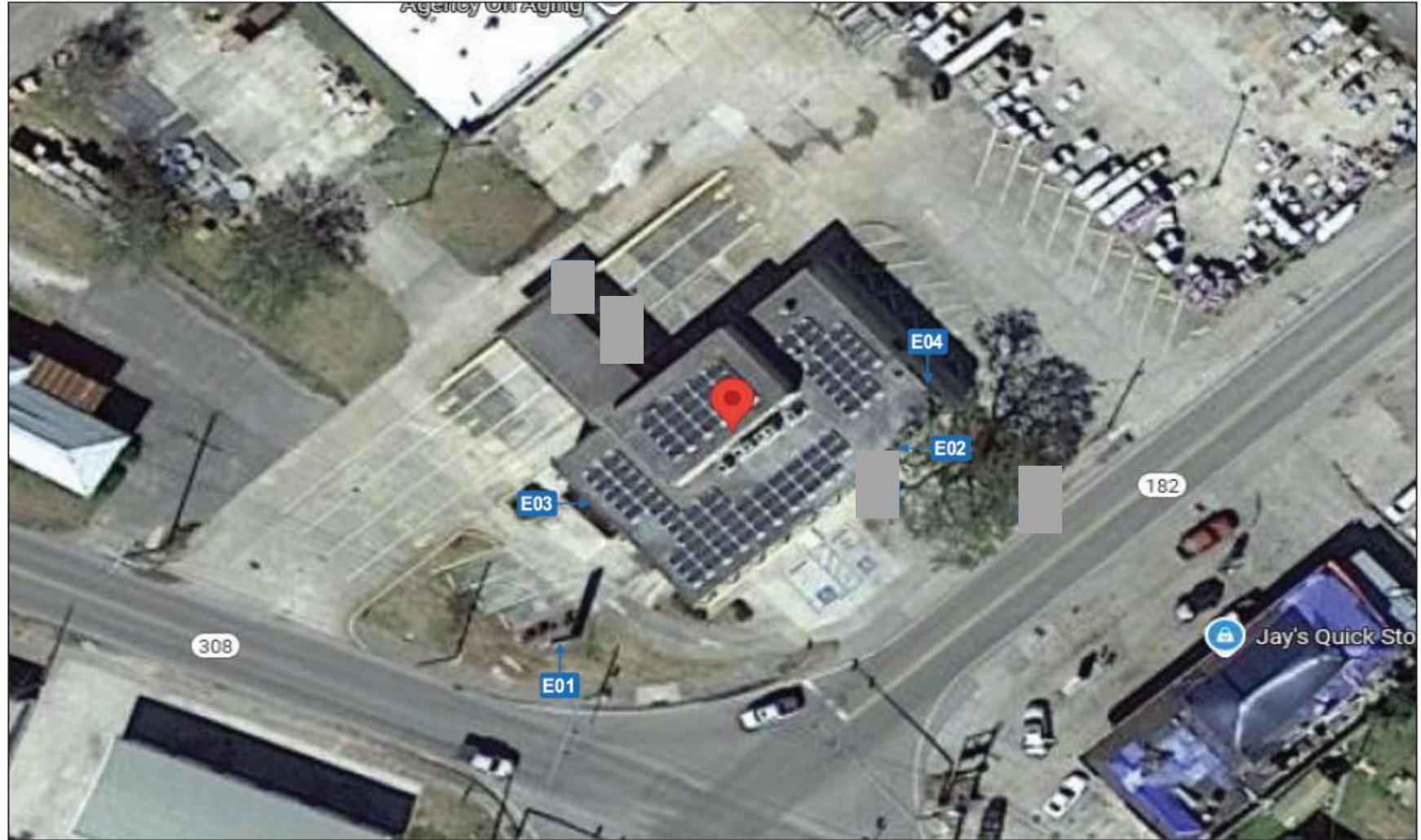
Chase Bank Raceland
1624 Hwy 182
Raceland LA 70394

CHASE 

Infinite possibilities, ideal solutions.

SITE PLAN

SCOPE OF WORK	
E01	P-50 - Pylon
E02	LIF-WBO-24 - Illuminated Channel Letters
E03	LIF-WBO-24 - Illuminated Channel Letters
E04	LIF-WBO-24 - Illuminated Channel Letters



Stratus[®]
 onestratus.com
 8959 Tyler Boulevard
 Mentor, Ohio 44060
 888.503.1569

CLIENT:
CHASE

Chase Bank Raceland
 1624 Hwy 182
 Raceland LA 70394

ORDER NUMBER:
1226639

PROJECT NUMBER:
3742

SITE NUMBER:
935656809

PROJECT MANAGER:
Peggy Fernandez

ELECTRONIC FILE NAME:
K:\ACCOUNTS\C\Chase Signature\Locations\2025\LA\935656809_Raceland\935656809_Raceland_R3.cdr

Rev #	Req #	Date/Artist	Description	Rev #	Req #	Date/Artist	Description
Original	508670	01/09/25 BS					
Rev 1	511447	01/23/25 BS	Updated				
Rev 2	512442	01/29/25 BS	Updated				
Rev 3	514146	02/10/25 BS	Updated				

PRINTS ARE THE EXCLUSIVE PROPERTY OF STRATUS. THIS MATERIAL SHALL NOT BE USED, DUPLICATED, OR OTHERWISE REPRODUCED WITHOUT THE PRIOR WRITTEN CONSENT OF STRATUS.

E01

PYLON ELEVATION

Scaled Proportionally

P-50

EXISTING SIGN SF:	100.3	P-100 Pylon
PROPOSED SIGN SF:	49.6	P-50 Pylon

Pre-existing, pre-Katrina concrete foundation to be reused for new smaller sign



EXISTING CONDITIONS

REPLACEMENT REASON(S):
Structural damaged, missing parts, chipping, fading



Stratus

onstratus.com
8959 Tyler Boulevard
Mentor, Ohio 44060
888.503.1569

CLIENT:

CHASE

Chase Bank Raceland
1624 Hwy 182
Raceland LA 70394

PAGE NO.:

ORDER NUMBER:

1226639

SITE NUMBER:

935656809

ELECTRONIC FILE NAME:

K:\ACCOUNTS\C\Chase Signature\Locations\2025\LA\935656809_Raceland\935656809_Raceland_R3.cdr

PROJECT NUMBER:

3742

PROJECT MANAGER:

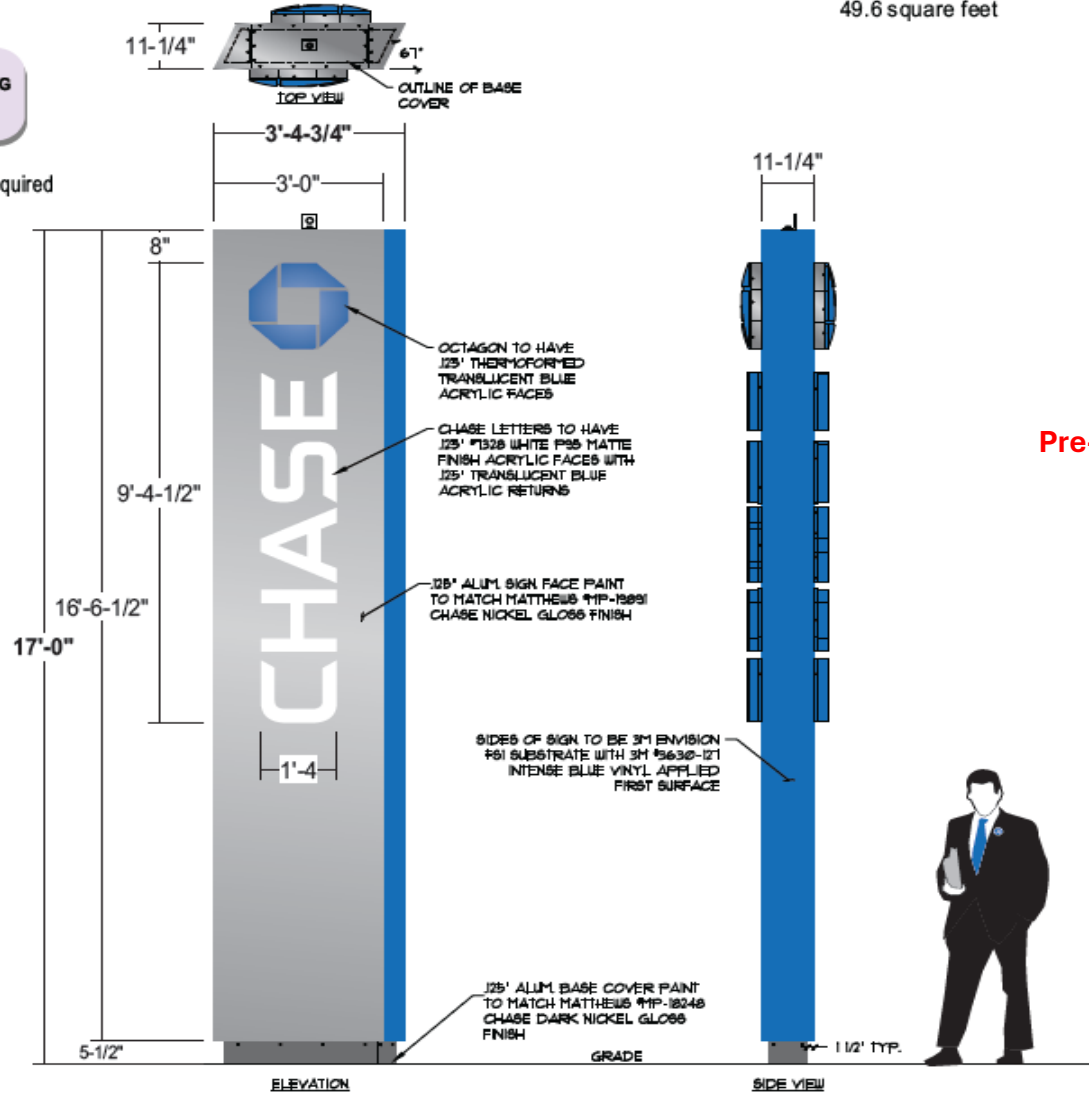
Peggy Fernandez

Rev #	Req #	Date/Artist	Description	Rev #	Req #	Date/Artist	Description
Original	508670	01/09/25 BS					
Rev 1	511447	01/23/25 BS	Revised to P50				
Rev 2	512442	01/29/25 BS					
Rev 3	514146	02/10/25 BS					

PRINTS ARE THE EXCLUSIVE PROPERTY OF STRATUS. THIS MATERIAL SHALL NOT BE USED, DUPLICATED, OR OTHERWISE REPRODUCED WITHOUT THE PRIOR WRITTEN CONSENT OF STRATUS.

refer to
PRODUCTION SHOP DRAWING
 # B244096
 for manufacturing details

QUANTITY: (1) One required



Simulated night time view



Pre-existing, pre-Katrina concrete foundation to be reused for new smaller sign



Stratus
 onestratus.com
 8959 Tyler Boulevard
 Mentor, Ohio 44060
 888.503.1569

CLIENT: **CHASE**

Chase Bank Raceland
 1624 Hwy 182
 Raceland LA 70394

ORDER NUMBER: 1226639
 PROJECT NUMBER: 3742

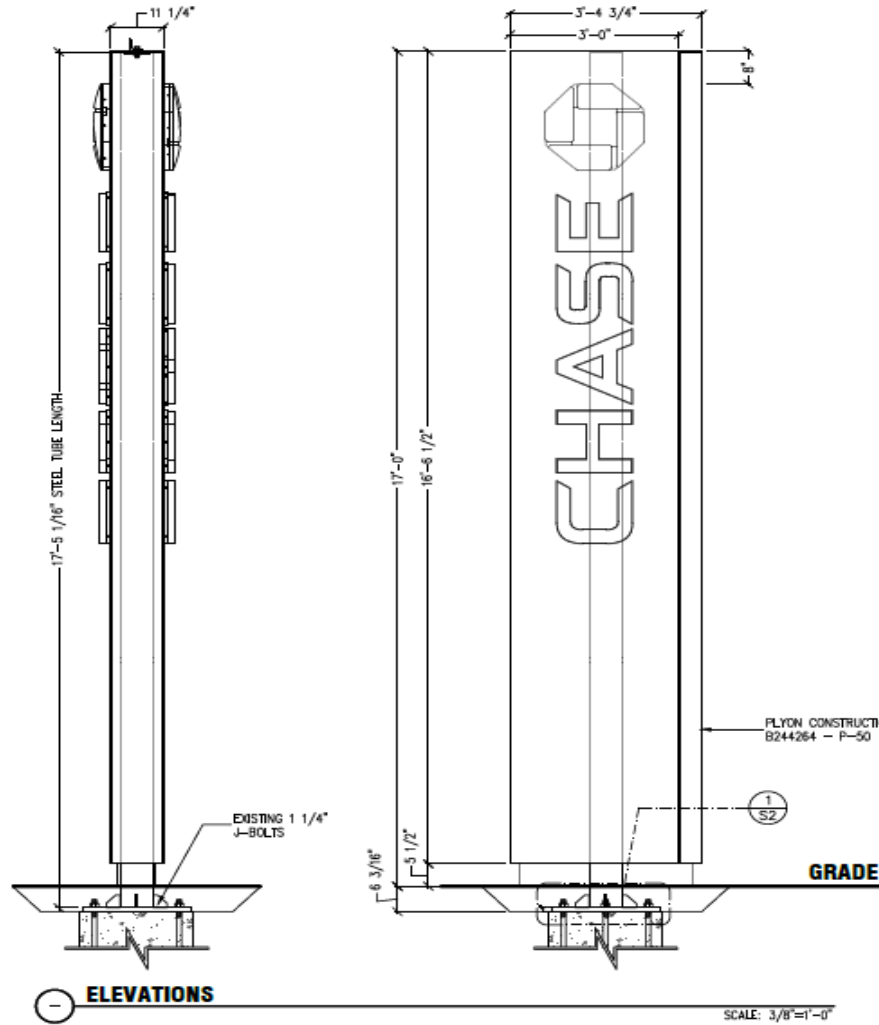
SITE NUMBER: 935656809
 PROJECT MANAGER: Peggy Fernandez

ELECTRONIC FILE NAME:
 K:\ACCOUNTS\CI\Chase Signature\Locations\2025\LA\935656809_Raceland\935656809_Raceland_R3.cdr

Rev #	Req #	Date/Artist	Description	Rev #	Req #	Date/Artist	Description
Original	508670	01/09/25 BS					
Rev 1	511447	01/23/25 BS					
Rev 2	512442	01/29/25 BS					
Rev 3	514146	02/10/25 BS					

PRINTS ARE THE EXCLUSIVE PROPERTY OF STRATUS. THIS MATERIAL SHALL NOT BE USED, DUPLICATED, OR OTHERWISE REPRODUCED WITHOUT THE PRIOR WRITTEN CONSENT OF STRATUS.

Pre-existing, pre-Katrina concrete foundation to be reused for new smaller sign



TOLERANCE: ± 1/16" ON ALL DIMENSIONS

DESIGN LOADS:
140 MPH WIND LOAD
RISK CATEGORY II, EXPOSURE C.
2021 INTERNATIONAL BUILDING CODE, ASCE 7-16

THIS SIGN TO BEAR THIS MARK

UL E-Listed
ELECTRICAL SIGN

NOTE: SIGN IS TO BE WIRED WITH 12 GAGE STRANDED 1,000 WIRE THHN PER DIAGRAM ON BALLAST. ELECTRICAL LEADS TO BE 12 GAGE SOLID 600 V WIRE THHN. SIGN MUST BE GROUNDED WITH 12 GAGE SOLID 600 V GREEN WIRE THHN.

THIS SIGN IS INTENDED TO BE INSTALLED IN ACCORDANCE WITH THE REQUIREMENTS OF ARTICLE 600 OF THE NATIONAL ELECTRICAL CODE AND/OR OTHER APPLICABLE LOCAL CODES. THIS INCLUDES PROPER GROUNDING AND BONDING OF SIGN.

SIGN INTERIOR TO BE PAINTED FLAT WHITE FOR MAXIMUM REFLECTIVITY

USE WHITE SILICONE TO CONCEAL LIGHT LEAKS

1 ELEVATIONS



REF. DWG.	
TITLE	CUSTOM BASE PLATE FOR NEW P-50 TO EXISTING FOUNDATION/ANCHOR BOLTS
DRAWINGS ARE THE EXCLUSIVE PROPERTY OF STRATUS. ANY UNAUTHORIZED USE OR DUPLICATION IS NOT PERMITTED. THIS DESIGN IS INTENDED FOR USE BY STRATUS AND THEIR APPROVED VENDORS IN FABRICATION, ASSEMBLY AND INSTALLATION. STRATUS MAKES NO CLAIM TO ANY STRUCTURAL, ELECTRICAL, MECHANICAL OR FOUNDATION ENGINEERING IF THIS DESIGN IS USED OUTSIDE OF STRATUS AND THE APPROVED VENDORS.	

LOCATION:	RACELAND, LA
LOCATION No.:	935656809
REQUEST No.:	34096
DRAWN BY:	MATTHEW KOSKA
DATE DRAWN:	01/20/2026
DRAWING SCALE:	AS NOTED

CHASE	
CHECKED BY:	MARISSA SCOTT
DATE CHECKED:	1/20/2026
FILE:	CHA1706A
SHEET:	1/2

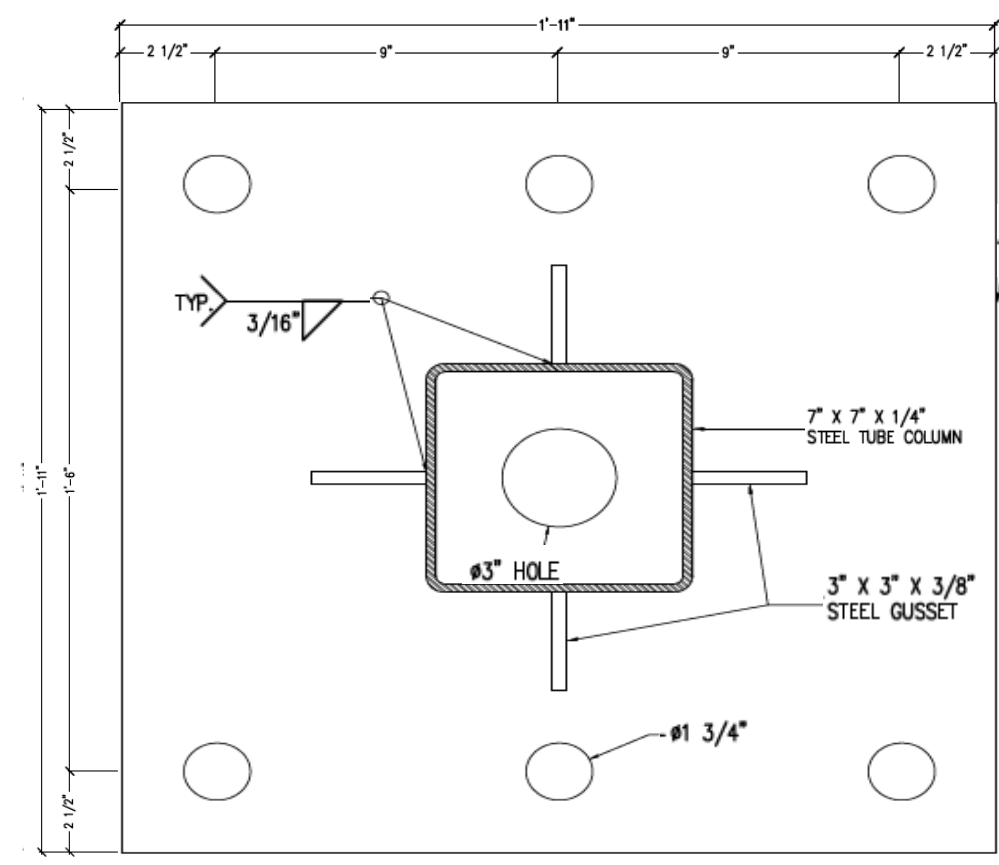
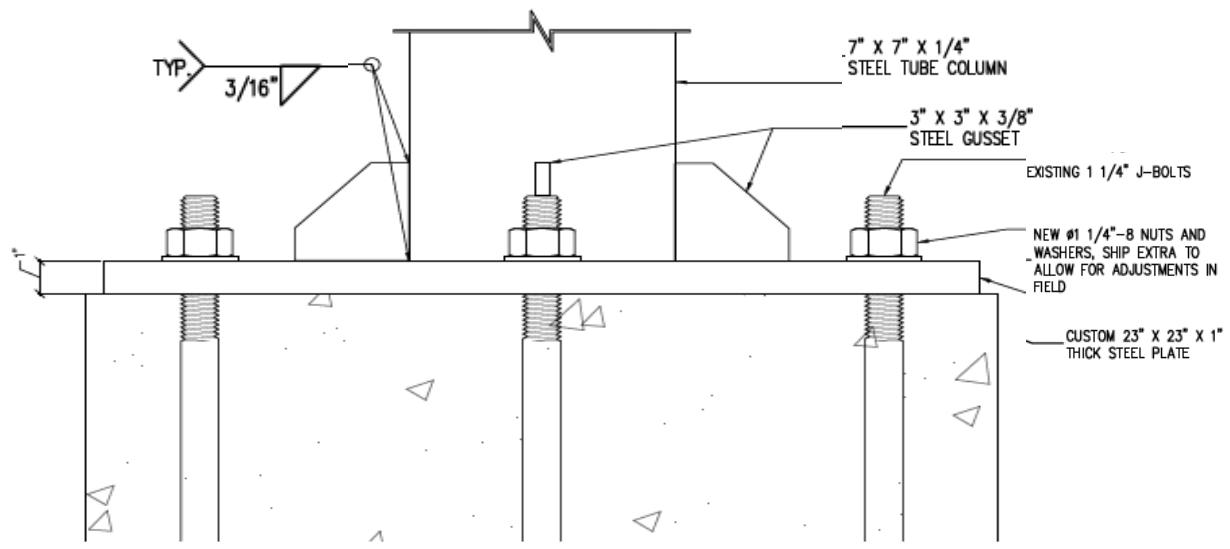
1 2 3 4

A

B

C

D



CUSTOM 23" X 23" X 1" THICK STEEL PLATE

1
S1 **DETAIL - CUSTOM BASE PLATE**

SCALE: 3/8"=1'-0"



REF. DWG.	
-	
-	
-	
-	
SIGN ID: P-50	

TITLE	CUSTOM BASE PLATE FOR NEW P-50 TO EXISTING FOUNDATION/ANCHOR BOLTS
<small>DRAWINGS ARE THE EXCLUSIVE PROPERTY OF STRATUS. ANY UNAUTHORIZED USE OR DUPLICATION IS NOT PERMITTED. THIS DESIGN IS INTENDED FOR USE BY STRATUS AND THEIR APPROVED VENDORS IN FABRICATION, ASSEMBLY AND INSTALLATION. STRATUS MAKES NO CLAIM TO ANY STRUCTURAL, ELECTRICAL, MECHANICAL OR FOUNDATION ENGINEERING IF THIS DESIGN IS USED OUTSIDE OF STRATUS AND THE APPROVED VENDORS.</small>	

LOCATION:	RACELAND, LA
LOCATION No.:	935656809
REQUEST No.:	34096
DRAWN BY:	MATTHEW KOSKA
DATE DRAWN:	01/20/2026
DRAWING SCALE:	AS NOTED

	CHECKED BY:	MARISSA SCOTT
	DATE CHECKED:	1/20/2026
	FILE:	CHA1706A
	SHEET:	2/2

EXISTING SIGN SF:	57.8	30" Letters
PROPOSED SIGN SF:	36.9	24" Letters

Install in same location as existing

±1'-6"



EXISTING CONDITIONS



REMOVE EXISTING 3'-3-1/2" X 17'-7" LETTERSET AND REPLACE. REPAIR WALL AREA AS REQUIRED.

REPLACEMENT REASON(S):
Old, too large, BBD



Stratus[®]

onstratus.com
8959 Tyler Boulevard
Mentor, Ohio 44060
888.503.1569

CLIENT:
CHASE 

Chase Bank Raceland
1624 Hwy 182
Raceland LA 70394

PAGE NO.:

ORDER NUMBER:
1226639

SITE NUMBER:
935656809

ELECTRONIC FILE NAME:
K:\ACCOUNTS\VC\Chase Signature\Locations\2025\LA\935656809_Raceland\935656809_Raceland_R3.cdr

PROJECT NUMBER:
3742

PROJECT MANAGER:
Peggy Fernandez

Rev #	Req #	Date/Artist	Description	Rev #	Req #	Date/Artist	Description
Original	308670	01/09/25 BS					
Rev 1	511447	01/23/25 BS	Added option				
Rev 2	512442	01/29/25 BS					
Rev 3	514146	02/10/25 BS					

PRINTS ARE THE EXCLUSIVE PROPERTY OF STRATUS. THIS MATERIAL SHALL NOT BE USED, DUPLICATED, OR OTHERWISE REPRODUCED WITHOUT THE PRIOR WRITTEN CONSENT OF STRATUS.

EXISTING SIGN SF:	57.8	30" Letters
PROPOSED SIGN SF:	36.9	24" Letters

±1'-4"
Install in same location
as existing



EXISTING CONDITIONS



REMOVE EXISTING 3'-3-1/2" X 17'-7" LETTERSET AND REPLACE. REPAIR WALL AREAS REQUIRED.

REPLACEMENT REASON(S):
Old, too large, BBD



Stratus

onestratus.com
8959 Tyler Boulevard
Mentor, Ohio 44060
888.503.1569

CLIENT:

CHASE

Chase Bank Raceland
1624 Hwy 182
Raceland LA 70394

PAGE NO.:

ORDER NUMBER:

1226639

SITE NUMBER:

935656809

ELECTRONIC FILE NAME:

K:\ACCOUNTS\C\Chase Signature\Locations\2025\LA\935656809_Raceland\935656809_Raceland_R3.cdr

PROJECT NUMBER:

3742

PROJECT MANAGER:

Peggy Fernandez

Rev #	Req #	Date/Artist	Description	Rev #	Req #	Date/Artist	Description
Original	508670	01/09/25 BS					
Rev 1	511447	01/23/25 BS	Added option				
Rev 2	512442	01/29/25 BS					
Rev 3	514146	02/10/25 BS					

EXISTING SIGN SF:	36.9	24" Letters
PROPOSED SIGN SF:	36.9	24" Letters



Install in same location as existing

EXISTING CONDITIONS



REMOVE EXISTING 2'-7-1/2" X 14'-1/2" LETTERSET AND REPLACE. REPAIR WALL AREAAS REQUIRED.

REPLACEMENT REASON(S):
Old, too large, BBD



Stratus[®]

onestratus.com
8959 Tyler Boulevard
Mentor, Ohio 44060
888.503.1569

CLIENT:

CHASE

Chase Bank Raceland
1624 Hwy 182
Raceland LA 70394

PAGE NO.:

ORDER NUMBER:

1226639

SITE NUMBER:

935656809

ELECTRONIC FILE NAME:

K:\ACCOUNTS\C\Chase Signature\Locations\2025\LA\935656809_Raceland\935656809_Raceland_R3.cdr

PROJECT NUMBER:

3742

PROJECT MANAGER:

Peggy Fernandez

Rev #	Req #	Date/Artist	Description	Rev #	Req #	Date/Artist	Description
Original	508670	01/09/25 BS					
Rev 1	511447	01/23/25 BS	Added option				
Rev 2	512442	01/29/25 BS					
Rev 3	514146	02/10/25 BS					

E02
E03
E04

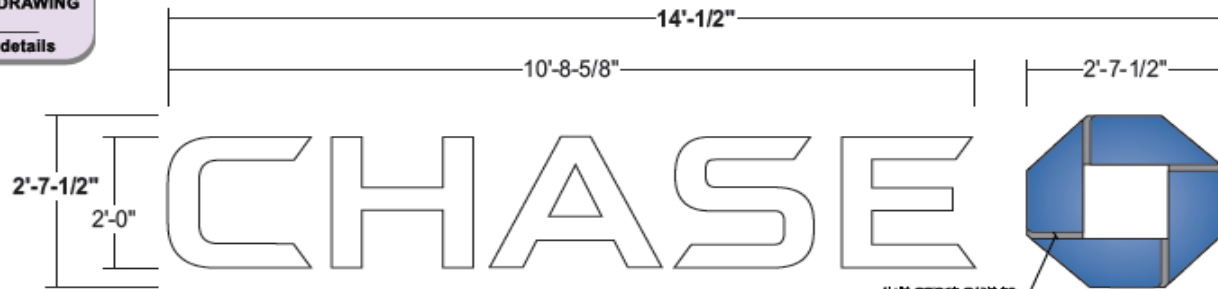
ILLUMINATED CHANNEL LETTERS

Scale: 1/2"=1'-0"

LIF-WBO-24

36.9 square feet

refer to
PRODUCTION SHOP DRAWING
B244005
for manufacturing details

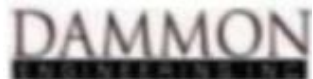
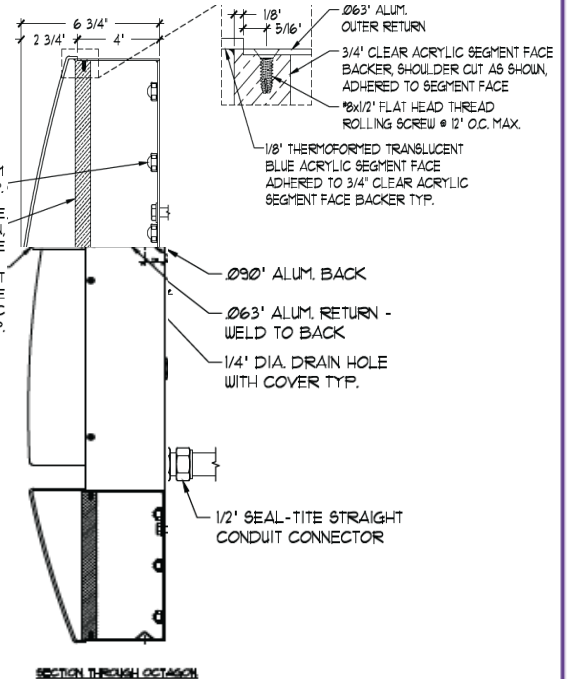
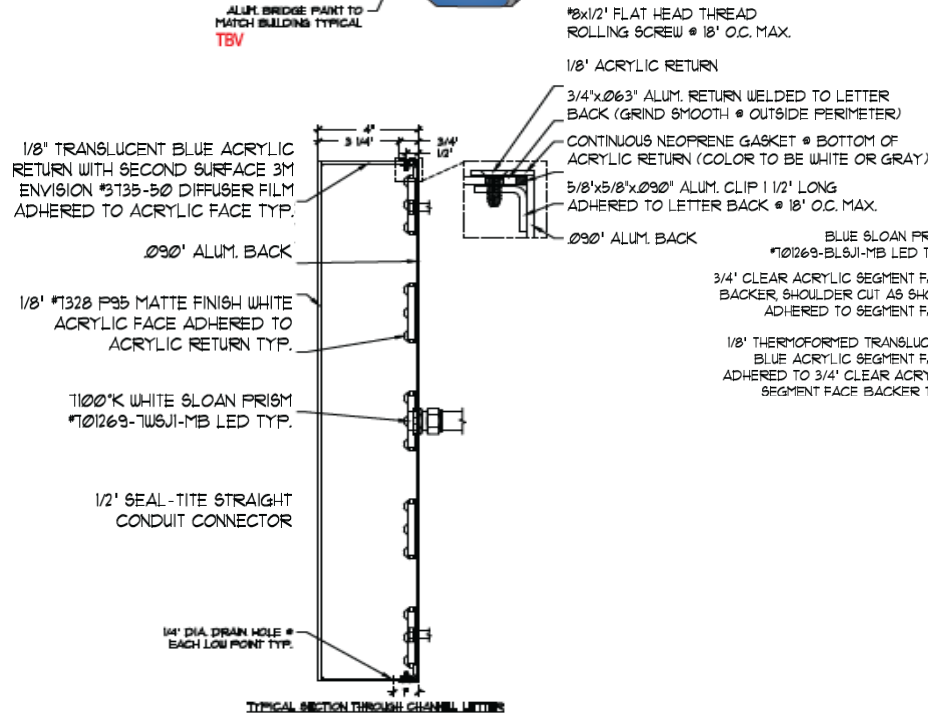
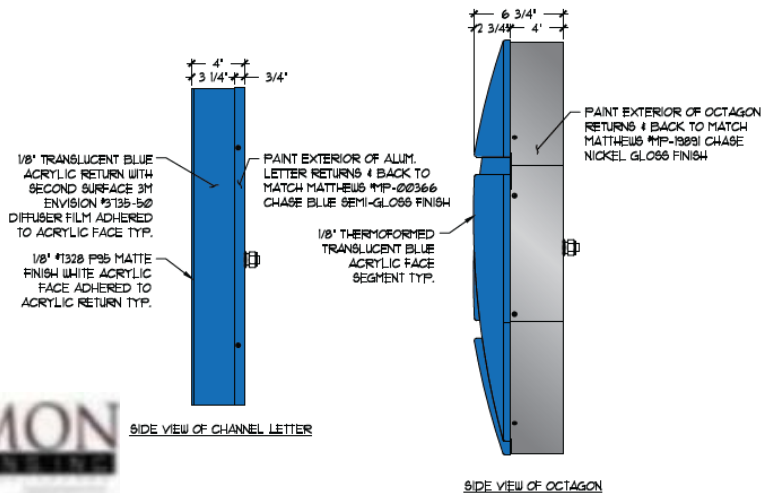


Simulated night time view



INSTALL: Thru bolted using all thread into blocking as required
12" standard length of threaded rod will be supplied unless otherwise noted
3/8" threaded rod into blocking or Stratus approved equivalent

QUANTITY: (3) Three required



SIDE VIEW OF CHANNEL LETTER

SIDE VIEW OF OCTAGON

TYPICAL SECTION THROUGH CHANNEL LETTERS

SECTION THROUGH OCTAGON

Stratus

onestratus.com

8959 Tyler Boulevard
Mentor, Ohio 44060

888.503.1569

CLIENT:

CHASE

Chase Bank Raceland
1624 Hwy 182
Raceland LA 70394

PAGE NO:

ORDER NUMBER:

1226639

SITE NUMBER:

935656809

ELECTRONIC FILE NAME:

K:\ACCOUNTS\C\Chase Signature\Locations\2025\LA\935656809_Raceland\935656809_Raceland_R3.cdr

PROJECT NUMBER:

3742

PROJECT MANAGER:

Peggy Fernandez