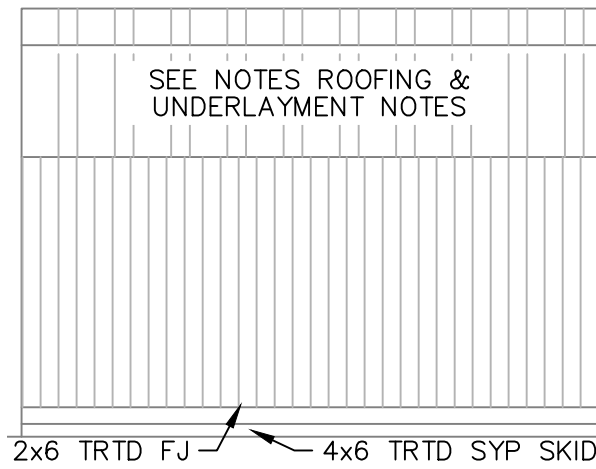
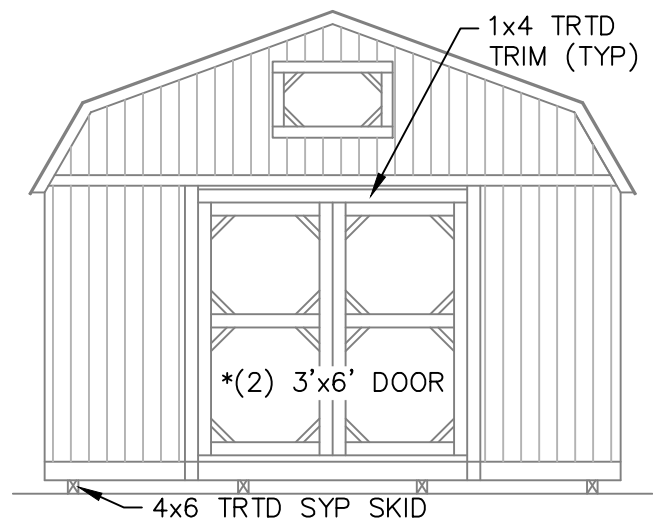


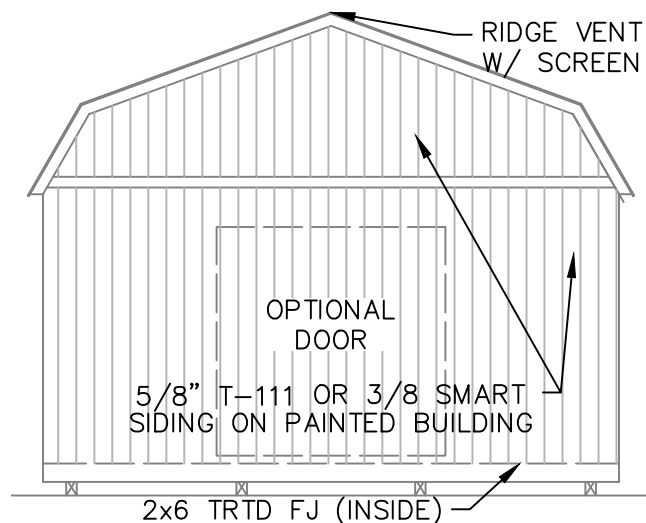
REAR ELEVATION WITHOUT PORCH



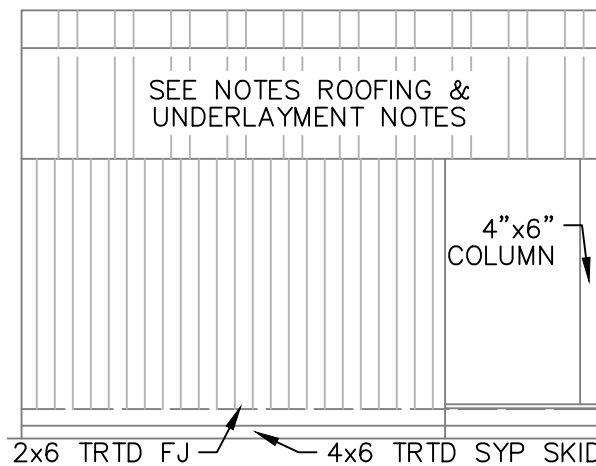
SIDE ELEVATION WITHOUT PORCH



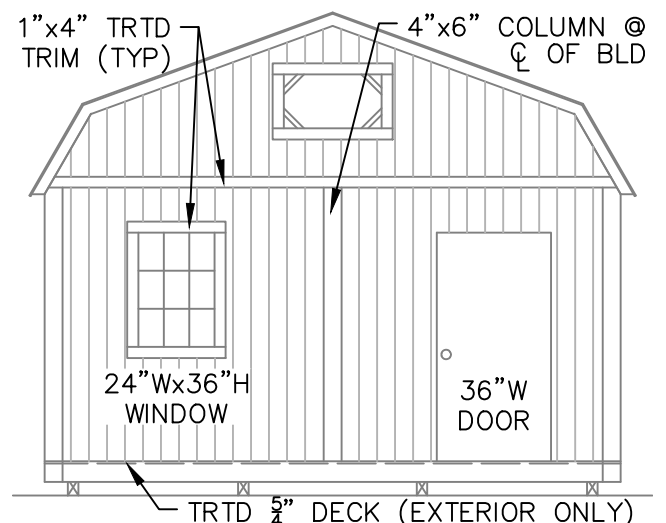
FRONT ELEVATION WITHOUT PORCH



REAR ELEVATION WITH PORCH



SIDE ELEVATION WITH PORCH



FRONT ELEVATION WITH PORCH



DANIEL'S PORTABLE BUILDINGS, LLC.

601-551-0469

DRAWN BY: TNT SCALE: 1/4" = 1'-0" DATE: 04-13-2022

SHEET TITLE: ELEVATION PLAN

DRAWING NUMBER: **S-107**



DAMMON ENGINEERING, INC.

554 Old Spanish Trail Slidell, LA 70458 (985) 649-5832

Chief Engineer: Brian Mistich, PE
554 Old Spanish Trail
Slidell, LA 70458

www.dammonengineering.com
info@dammonengineering.com
PHONE: 985-649-5832