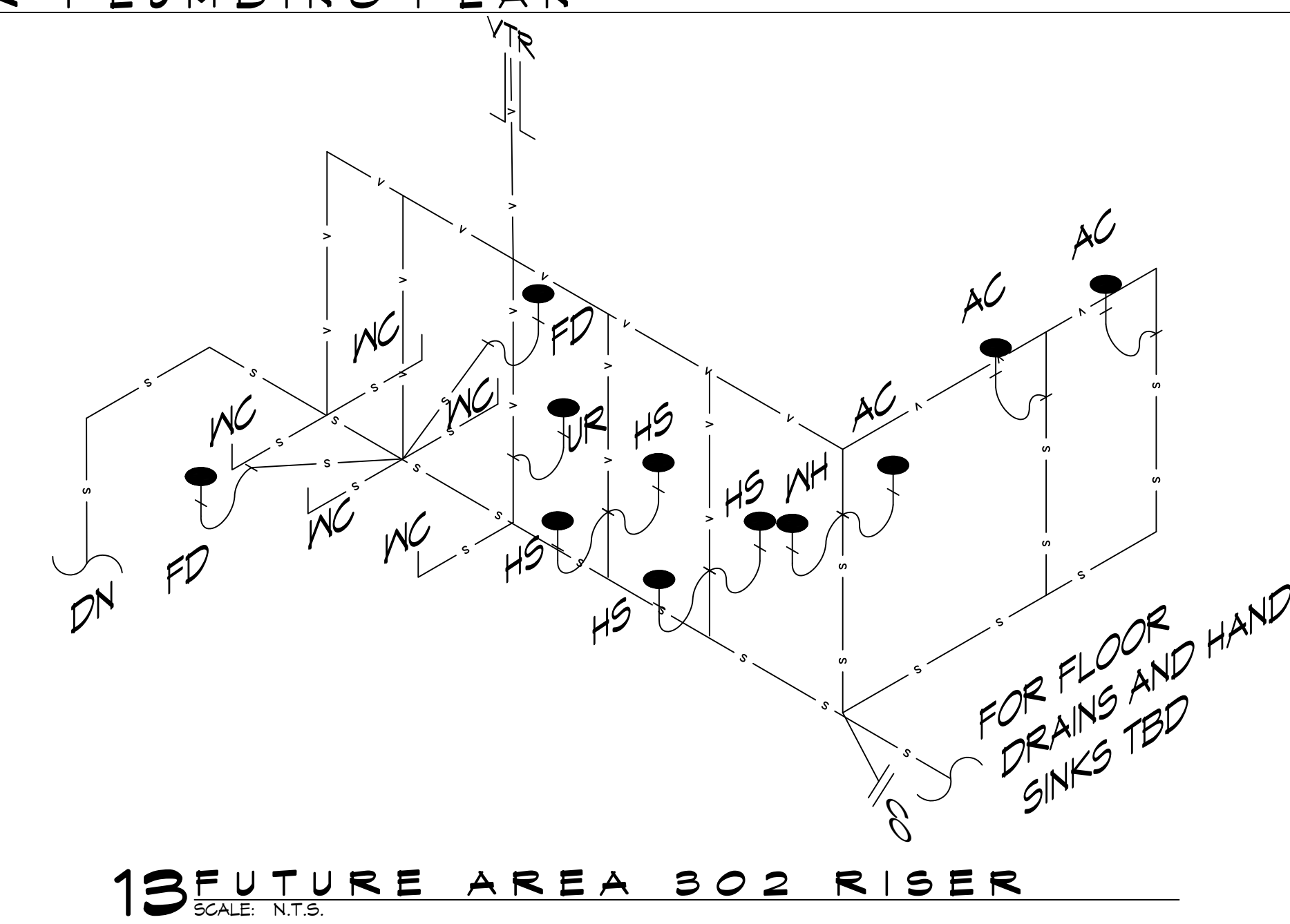
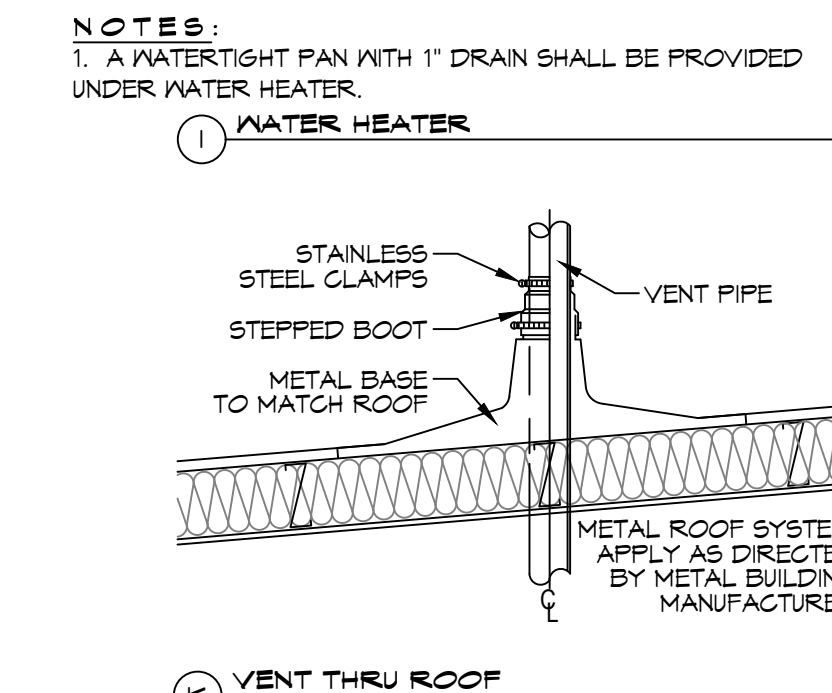
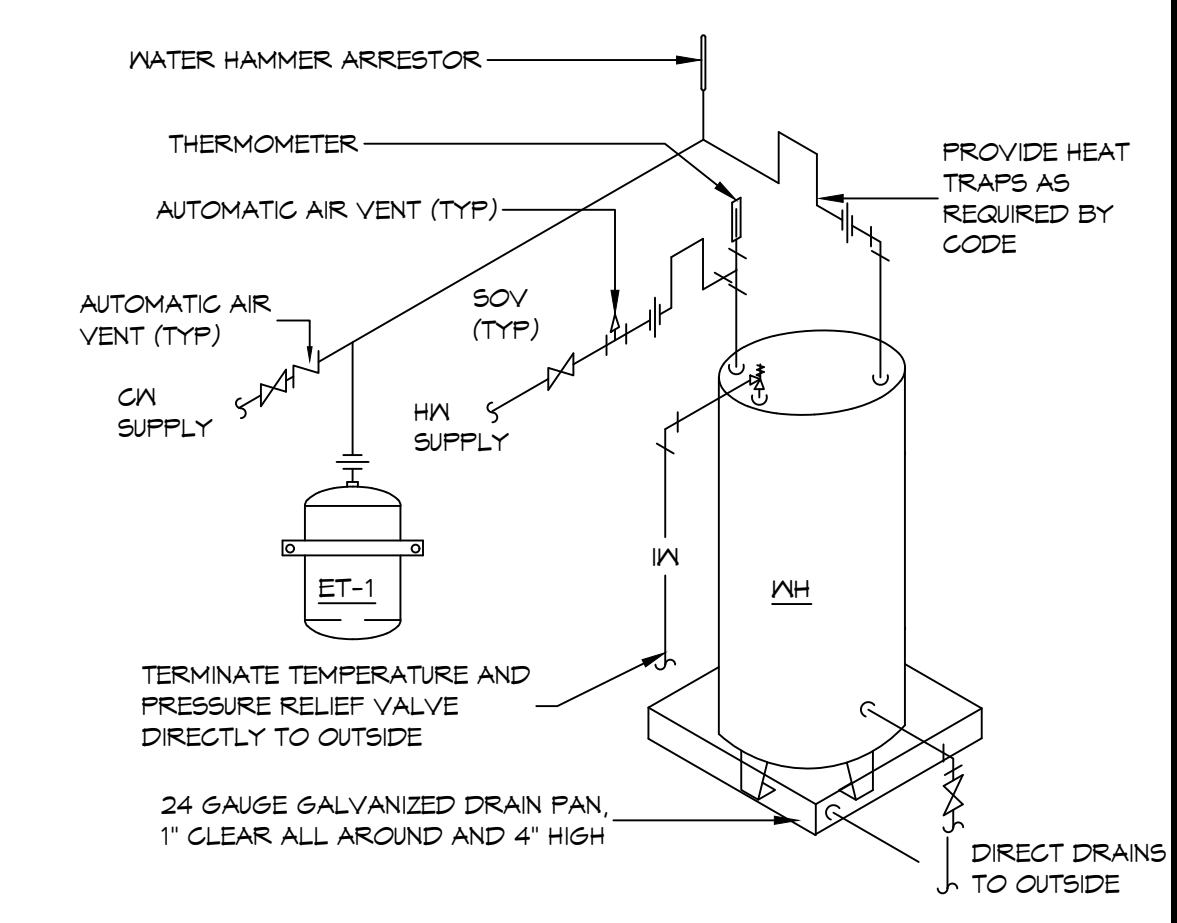
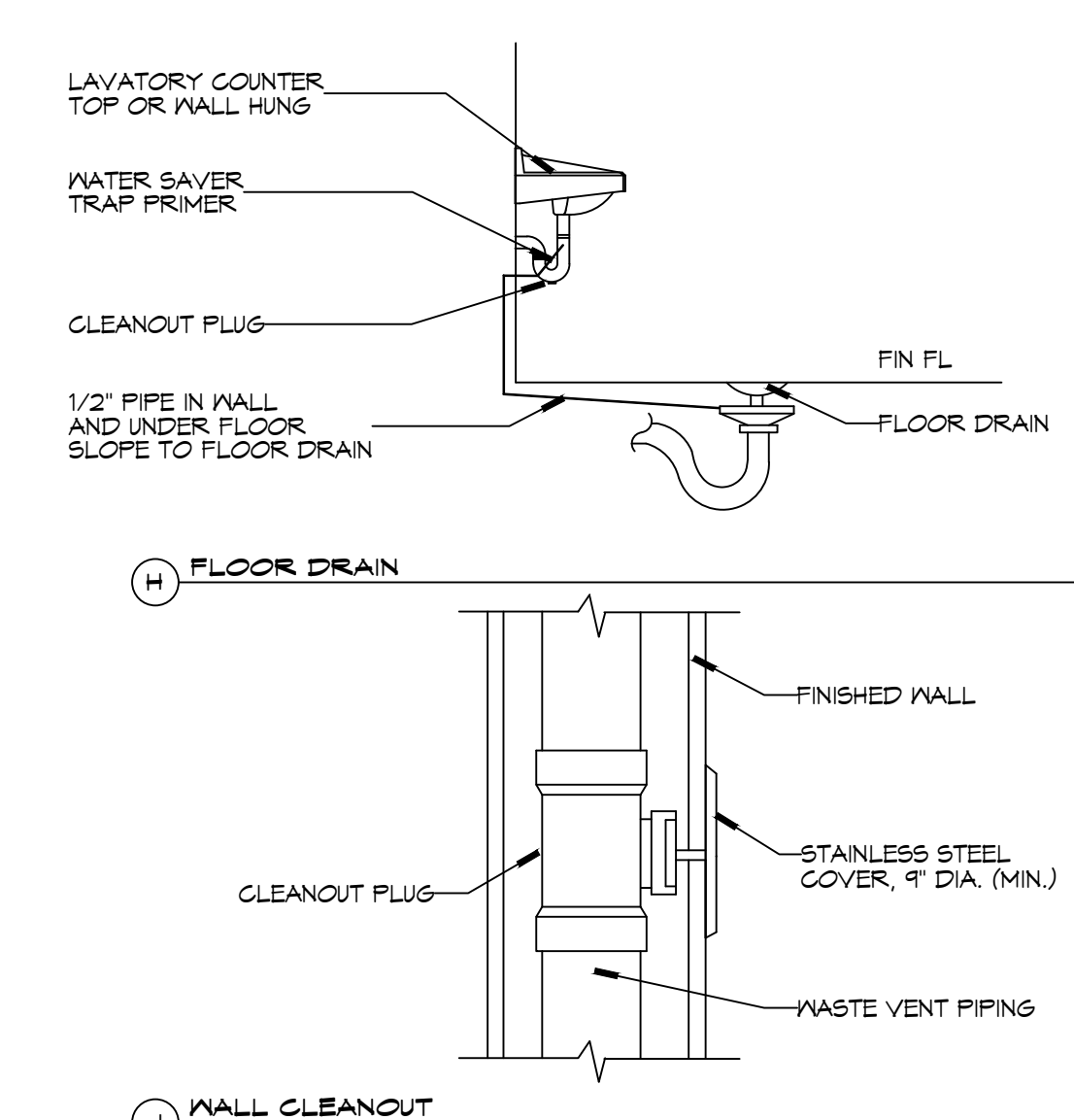
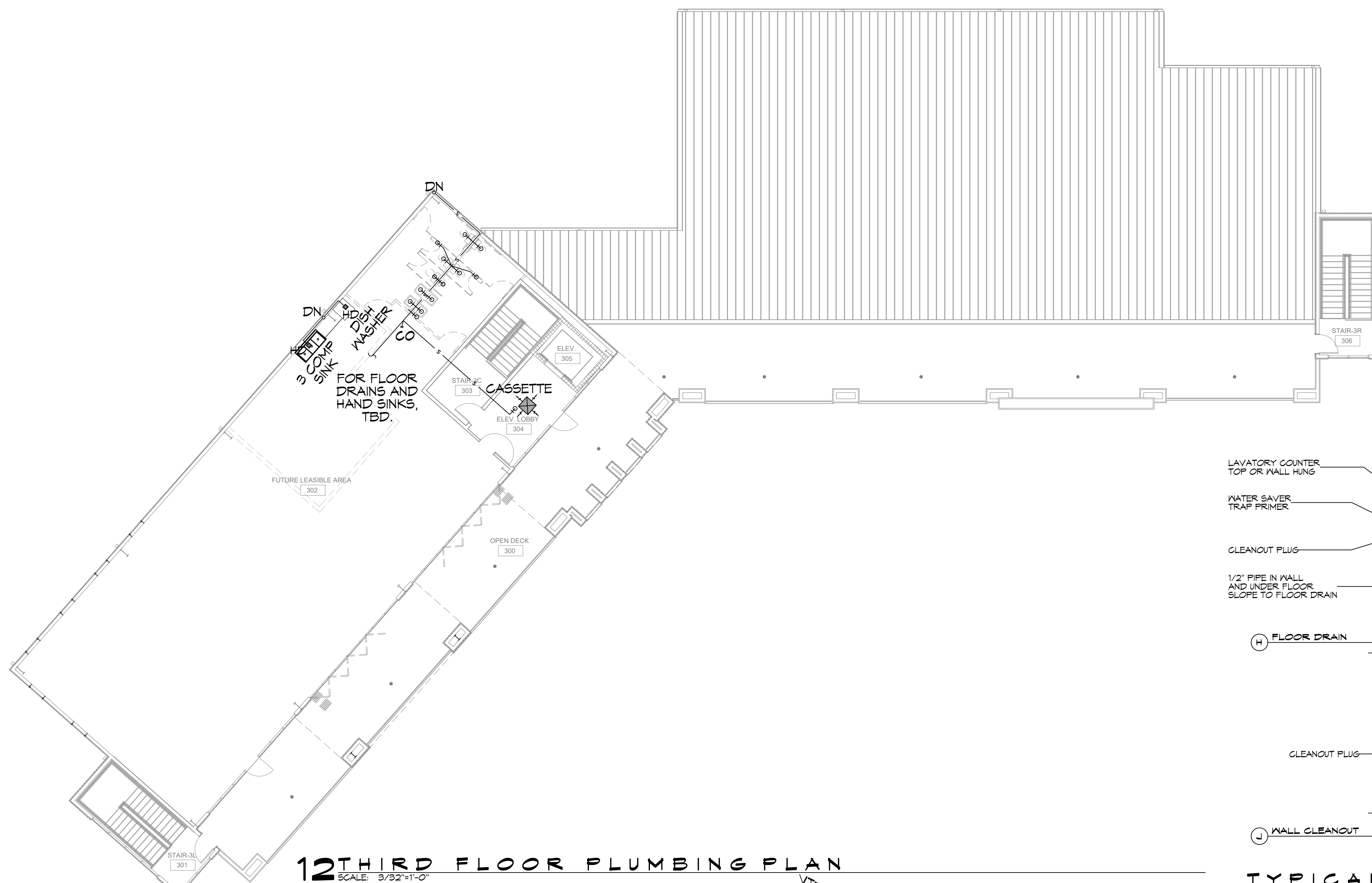


FILE NAME: A:\Projects\Baton Rouge\BMA\General\Drawings\103 - 3rd Floor Plumbing Revise.dwg DATE: 01-27-2025 12:54:28 PM



**DAMMON**  
ENGINEERING, INC.  
LOUISIANA & MISSISSIPPI

Chief Engineer: Brian Mistich, PE  
554 Old Spanish Trail  
Stidell, LA 70458  
www.dammonengineering.com  
info@dammonengineering.com  
PH: 985-649-5832

DATE	REVISIONS	#	DESCRIPTION

SEAL:

MIXED USE DEVELOPMENT

1-10 SOUTH SERVICE ROAD  
METAIRIE LOUISIANA

JOB No: 01-27-2025  
DATE: 01-27-2025  
DRAWN BY: BAXI  
CHECKED BY: CKD

SHEET TITLE:  
THIRD FLOOR PLUMBING  
PLAN AND RISER DIAGRAM

DRAWING NUMBER:  
**P103**

SHEET No: 3 of 15