

EXIST PLAT FORM

W6x35

HSS 6x6x1/2

12  
12

L3x3x1/4  
TYP

COT  
GRATINGS &  
ATTACH COLUMN  
TO WB  
TYP

HSS 6x6x1/2

DETAIL  
1

EXIST PLAT FORM

DETAIL  
2

W6x35

HSS 6x6x1/2

12  
12

L3x3x1/4  
TYP @  
16" O.C

HSS 6x6x1/2

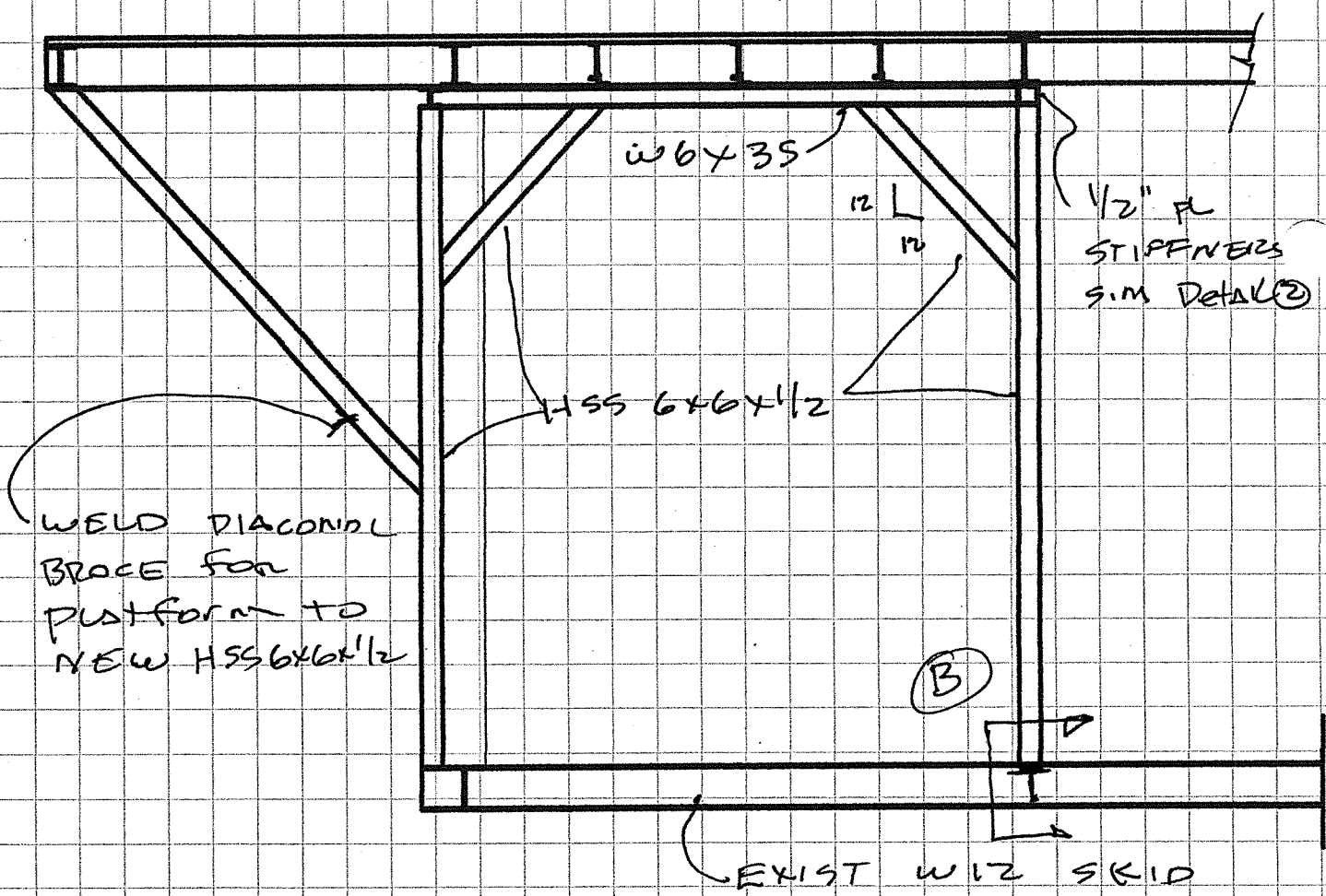
SECTION  
A

COPE TUBE TO  
MISS GUSSET

EXIST SKID

SECTION LOOKING EAST

EXIST Platform



WELD DIAGONAL  
BRACE FOR  
PLATFORM TO  
NEW HSS 6x6x1/2

EXIST W12 SKID

SECTION  
OTHER SIDE SIMILAR  
~~LOOKING NORTH~~  
Looking NORTH

EXIST  
BAR GRATINGS

EXIST  
CHANNEL

EXIST W.B.

L 3x3x1/4

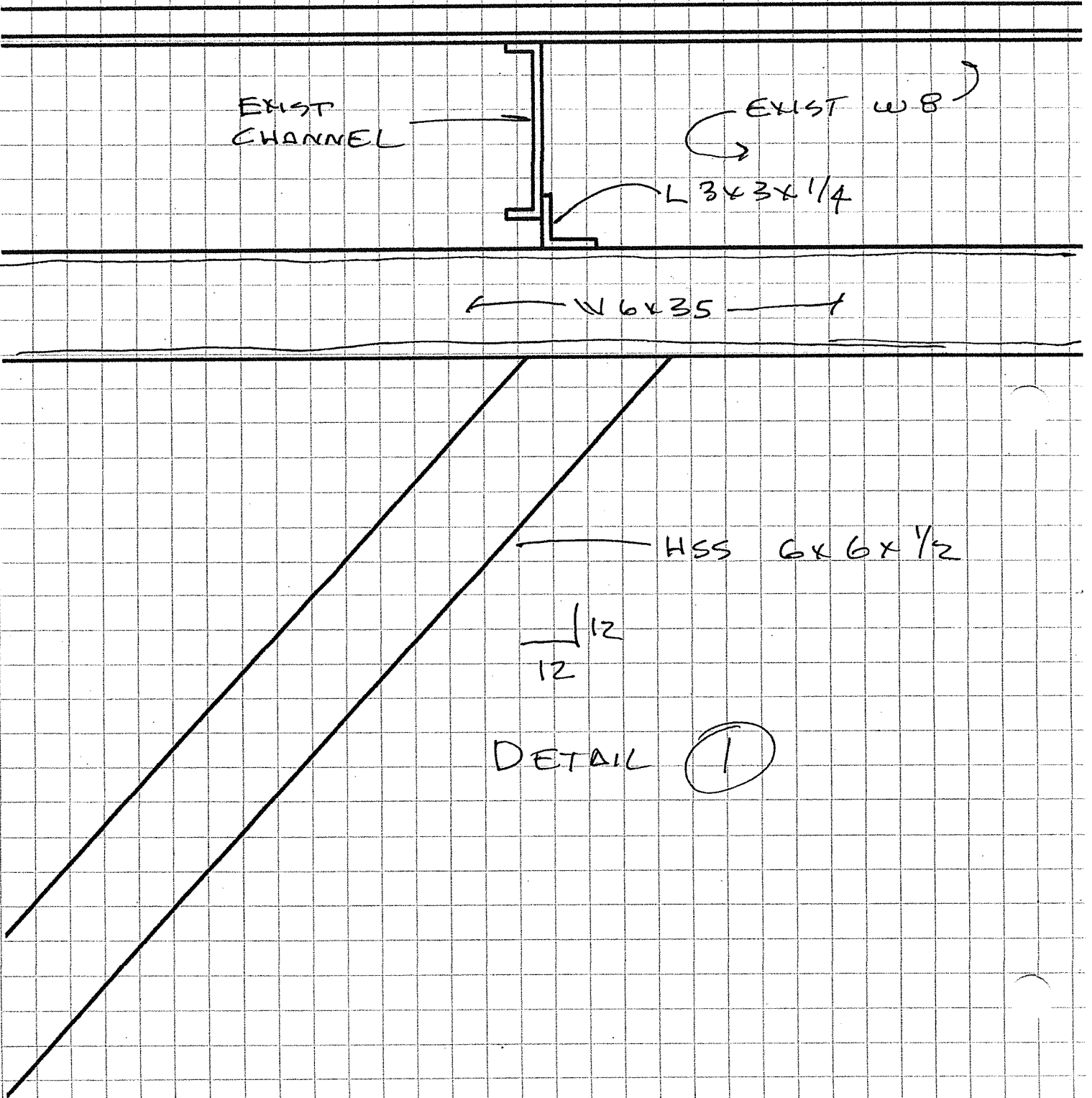
W 6x35

HSS 6x6x1/2

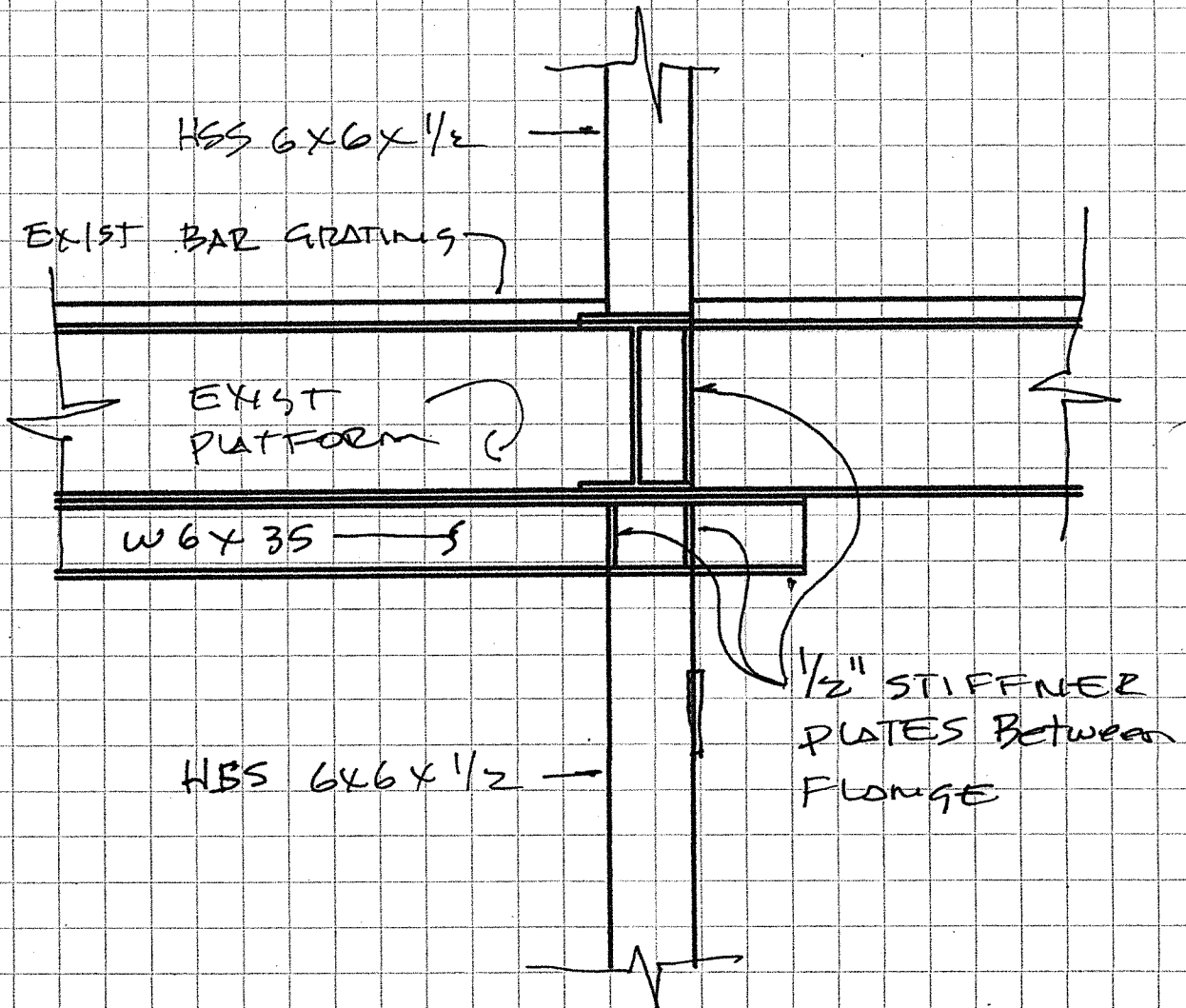
12  
12

DETAIL

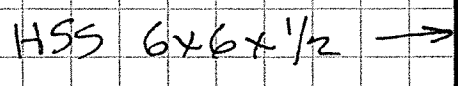
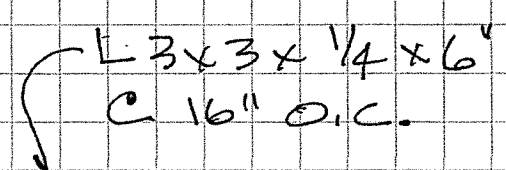
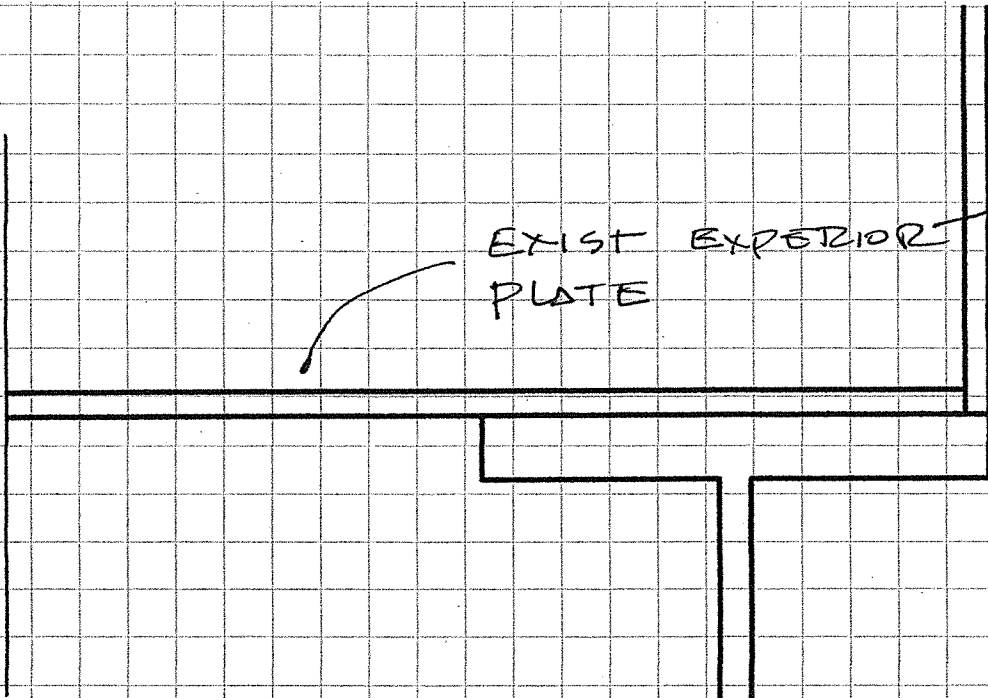
1



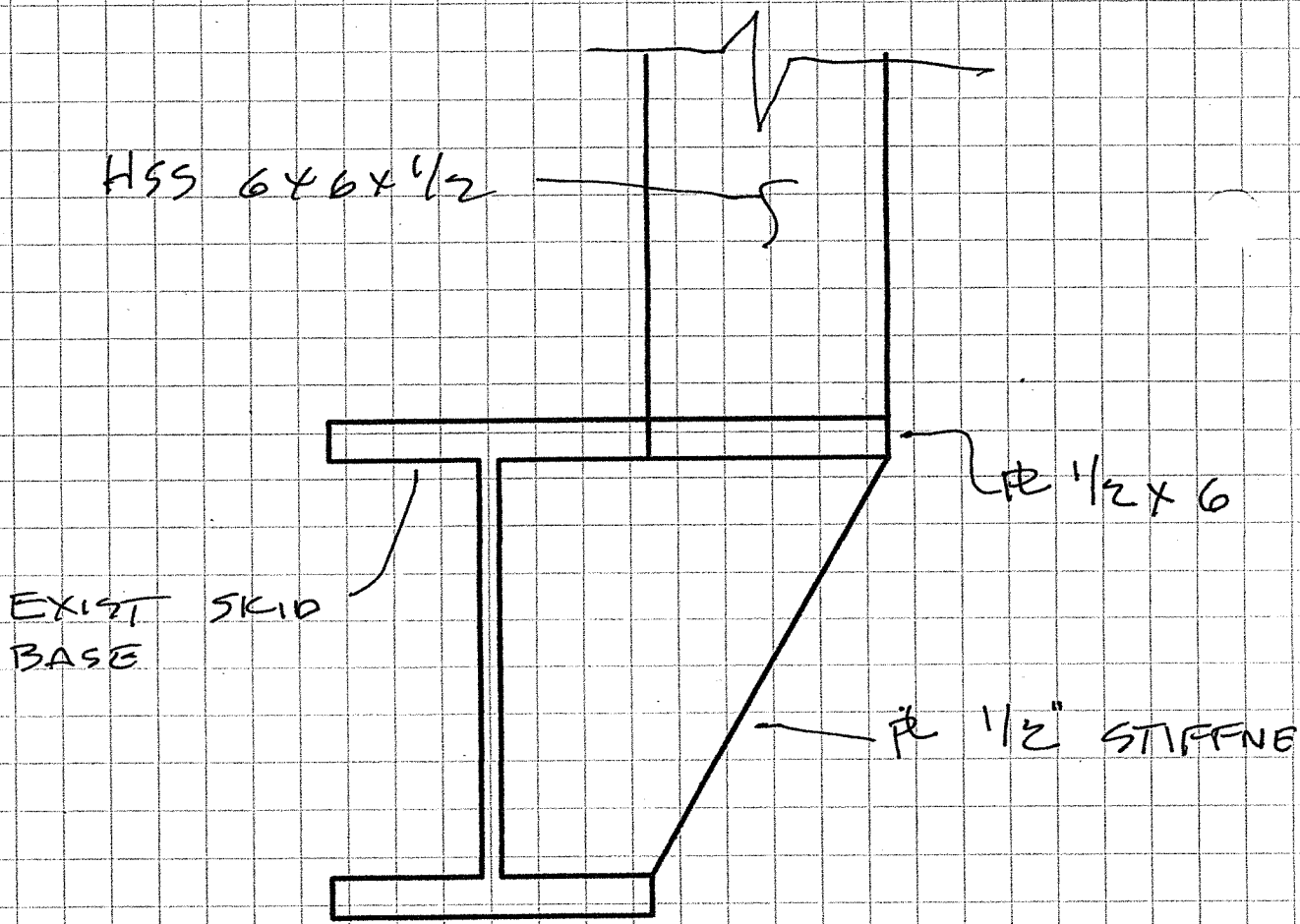
NOTE: EXTEND W6X35 TO  
ALLOW FOR SOUTH WALL FRAMING



DETAIL (2)



SECTION (A)



SECTION M (B)