

# NU-LITE Electrical WHOLESALERS



. . . . SERVICE ~ QUALITY ~ INTEGRITY . . . .

JOB: VETERANS PARK - 3<sup>RD</sup> ST RESTROOMS  
SLIDELL, LA  
ELEC. CONTR.: FMA INC  
SUBMITTAL: LIGHTING PRODUCT &  
DISTRIBUTION EQUIPMENT  
(APPROVAL SUBMITTAL DATA)

*(Faint, mirrored text from the reverse side of the page, including "DAMMON ENGINEERING INC" and "Date")*

Submittal Item: \_\_\_\_\_  
Comments: \_\_\_\_\_

**FMA, Inc.**  
 Reviewed 11-05-14  
 Reviewed as Noted  
 Reject/Resubmit

LIGHTING FIXTURE SCHEDULE  
(LAMP SCHEDULE)

---

5	F1	LITHONIA	VRS 3 32 VL MVOLT GEB10IS (3) F32T8/TL741/ALTO
3	F1E	LITHONIA	VRS 3 32 VL 120 GEB10IS EL6DW (3) F32T8/TL741/ALTO
6	F2	LITHONIA	WSR LED 2 10A700/40K SR4 120 SF VG DDBXD

Submitting Agency:



Lighting & Electrical Associates, Inc.  
504-887-1235

Description: **VRS 3 32 VL MVOLT GEB10IS**

Factory: Lithonia Lighting  
Project: VETERANS PARK 3RD ST RESTROOMS  
Notes:

Type:

**F1**



**FEATURES & SPECIFICATIONS**

**CONSTRUCTION** — Clean, contemporary design includes overlap mitered housing and door frame corners. Formed from cold-rolled steel and painted after fabrication with baked white polyester enamel. Plasma seam welded corners provide a clean finish and eliminate light leaks. Door frame secured by stainless steel Torx® (TX-20) tamper-resistant screws, two per side standard (four included). No asbestos is used in this product. **Certain airborne contaminants can diminish integrity of acrylic.**

[Click here for Acrylic Environmental Compatibility table for suitable uses.](#)

**FINISH:** Five-stage iron-phosphate pretreatment ensures superior paint adhesion and rust resistance. Painted parts finished with high-gloss, baked white enamel.

**LENS:** Variety of shielding available including VL, durable .250" polycarbonate sheet laminated to .125" A12 pattern acrylic overlay. Impact-resistant acrylic or prismatic polycarbonate also available.

**ELECTRICAL** — Fixture conforms to UL 1570 and is suitable for damp locations. AWM, TFN or THHN wire used throughout, rated for required temperatures.

**BALLAST:** Thermally-protected, resetting, Class P, HPF, non-PCB, UL listed, CSA-certified ballast is standard. Sound rated A. Standard combinations are CBM approved and conform to UL 935.

**LISTINGS** — UL listed and labeled. Listed and labeled to comply with Canadian and Mexican Standards (see options).

**WARRANTY** — 1-year limited warranty. Complete warranty terms located at [www.aquitybrands.com/CustomerResources/Terms\\_and\\_conditions.aspx](http://www.aquitybrands.com/CustomerResources/Terms_and_conditions.aspx)

Actual performance may differ as a result of end-user environment and application.

Note: Specifications subject to change without notice.

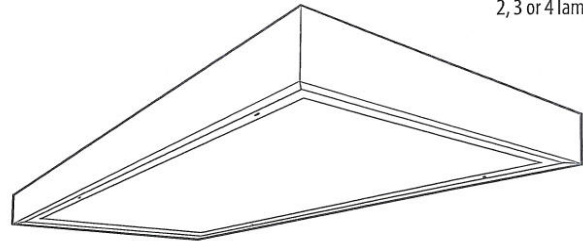
Catalog Number
Notes
Type

Rough Service Modular Fixture

**VRS 2' x 4'**

IMPACT-RESISTANT DIFFUSER

2, 3 or 4 lamps



**ORDERING INFORMATION** For shortest lead times, configure using standard options (shown in bold).

Example: 2VRS 3 32 AR12 MVOLT

VRS	3	32	VL	MVOLT	GEB10IS
Series	Lamps <sup>1</sup>	Lamp type	Diffuser	Voltage	Options
2VRS Rough service surface modular 2x4	2 3 4 6	32 32W T8 (48")	VL .250" clear polycarbonate laminated to A12 .125" acrylic	120 277 347 MVOLT <sup>2</sup> Others available	GEB10IS Electric ballast, <10% THD, instant start ELDW Emergency battery pack (nominal 300 lumens) <sup>3</sup> EL5DW Emergency battery pack (nominal 500 lumens) <sup>3</sup> EL14DW Emergency battery pack (nominal 1400 lumens) <sup>3</sup> 1/3 One three-lamp ballast (other optional ballast configurations available) GLR Internal fast-blow fuse GMF Internal slow-blow fuse CSA CSA Certified NOM NOM Certified SW Palletized and stretch-wrapped
VRS Rough service surface modular 1x4			AR12 #12 pattern high-impact acrylic, .140" ARF12 #12 pattern high-impact acrylic with RF grid, .140" PCL12187 #12 pattern polycarbonate, .187"		

Accessories: Order as separate catalog number.	
RK1 T20BIT	Hex-base driver bit, Torx TX20, for tamper-resistant screws with center reject pin.
RK1 T20DRV	Torx TX20 screwdriver for use with tamper-resistant screws with center reject pin.

**Notes**

- Lamps not included. Six-lamp configuration available on 2x4 only.
- Electronic ballast 120-277V only. Must specify GEB10IS.
- Not recommended for use in ambient temperatures exceeding 40 degrees F.
- Not available with MVOLT.

Luminaires ordered with the DW option (Example: EL5DW will bear the UL Emergency Lighting Equipment label for damp or wet locations, depending on the fixture).

Submitting Agency:



Lighting & Electrical Associates, Inc.  
604-887-1235

Description: **VRS 3 32 VL MVOLT GEB10IS**

Factory: **Lithonia Lighting**  
Project: **VETERANS PARK 3RD ST RESTROOMS**  
Notes:

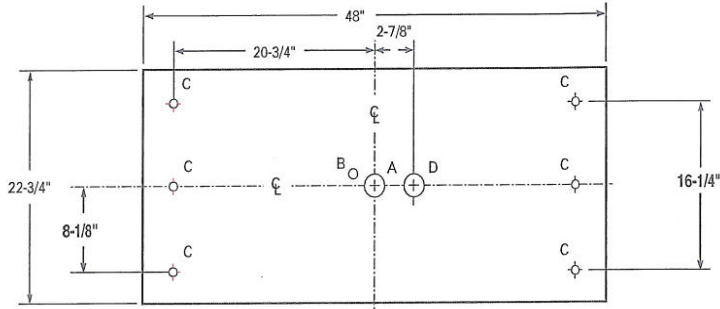
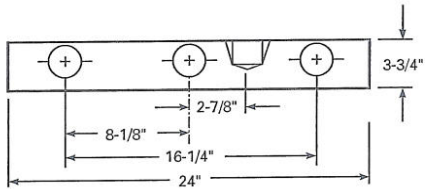
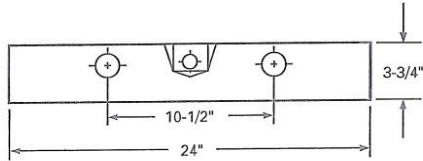
Type:

**F1**

## VRS 2x4 Impact Resistant Diffuser

### MOUNTING DATA

For unit or row installation, surface mounting.



A = 2" K.O.  
B = 7/8" K.O.  
C = 11/16" K.O.  
D = 2" K.O. 3-lamp fixture wiring access

Dimensions subject to change without notice.

### PHOTOMETRICS

Calculated using the zonal cavity method in accordance with IESNA LM41 procedure. Floor reflectances are 20%. Lamp configurations shown are typical. Full photometric data on these and other configurations available upon request.

#### VRS 4 32 VL

Report LTL 5416

##### Coefficient of Utilization

	Ceiling 80%				Ceiling 70%				
	70%	50%	30%	70%	50%	30%	50%	10%	
1	61	58	57	59	57	56	55	54	52
2	56	53	50	55	52	49	50	47	45
3	52	47	44	51	47	43	45	42	40
4	48	43	39	47	42	38	41	37	35
5	45	38	34	43	38	34	37	33	30
10	30	23	19	29	23	19	22	19	

##### Zonal Lumens Summary

Zone	Lumens	%Lamp	%Fixture
0-30	2181	18.8	34.5
0-40	3596	31.0	56.9
0-60	5617	48.4	88.9
0-90	6319	54.5	100.0
90-180	0	0.0	0.0
0-180	6319	54.5	100.0

#### VRS 3 32 VL

Report LTL 5417

##### Coefficient of Utilization

	Ceiling 80%				Ceiling 70%				
	70%	50%	30%	70%	50%	30%	50%	10%	
1	64	62	60	62	60	59	58	57	55
2	59	56	52	58	54	52	53	50	48
3	55	50	46	54	49	46	48	44	42
4	51	45	41	50	44	40	43	40	37
5	47	41	36	46	40	36	39	35	32
10	32	24	20	31	24	20	24	20	17

##### Zonal Lumens Summary

Zone	Lumens	%Lamp	%Fixture
0-30	1717	19.7	34.3
0-40	2841	32.7	56.8
0-60	4453	51.2	89.1
0-90	4999	57.5	100.0
90-180	0	0.0	0.0
0-180	4999	57.5	100.0

#### VRS 4 32 PC12.125

Report LTL 5419

##### Coefficient of Utilization

	Ceiling 80%				Ceiling 70%				
	70%	50%	30%	70%	50%	30%	50%	10%	
1	63	61	59	62	60	58	57	56	54
2	59	55	52	57	54	51	52	49	47
3	54	49	46	53	49	45	47	44	41
4	51	45	40	49	44	40	43	39	36
5	47	40	36	46	40	35	39	35	32
10	32	25	20	31	25	20	24	20	17

##### Zonal Lumens Summary

Zone	Lumens	%Lamp	%Fixture
0-30	2414	20.8	36.4
0-40	3889	33.5	58.7
0-60	5783	49.9	87.3
0-90	6623	57.1	100.0
90-180	0	0.0	0.0
0-180	6623	57.1	100.0



VRS-2X4-F

Submitting Agency:



Lighting & Electrical Associates, Inc.  
604-887-1235

Description: **VRS 3 32 VL 120 GEB10IS EL6DW**

Factory: **Lithonia Lighting**  
Project: **VETERANS PARK 3RD ST RESTROOMS**  
Notes:

Type:

**F1E**



### FEATURES & SPECIFICATIONS

**CONSTRUCTION** — Clean, contemporary design includes overlap mitered housing and door frame corners. Formed from cold-rolled steel and painted after fabrication with baked white polyester enamel. Plasma seam welded corners provide a clean finish and eliminate light leaks. Door frame secured by stainless steel Torx® (TX-20) tamper-resistant screws, two per side standard (four included). No asbestos is used in this product. **Certain airborne contaminants can diminish integrity of acrylic.**

[Click here for Acrylic Environmental Compatibility table for suitable uses.](#)

**FINISH:** Five-stage iron-phosphate pretreatment ensures superior paint adhesion and rust resistance. Painted parts finished with high-gloss, baked white enamel.

**LENS:** Variety of shielding available including VL, durable .250" polycarbonate sheet laminated to .125" A12 pattern acrylic overlay. Impact-resistant acrylic or prismatic polycarbonate also available.

**ELECTRICAL** — Fixture conforms to UL 1570 and is suitable for damp locations. AWM, TFN or THHN wire used throughout, rated for required temperatures.

**BALLAST:** Thermally-protected, resetting, Class P, HPF, non-PCB, UL listed, CSA-certified ballast is standard. Sound rated A. Standard combinations are CBM approved and conform to UL 935.

**LISTINGS** — UL listed and labeled. Listed and labeled to comply with Canadian and Mexican Standards (see options).

**WARRANTY** — 1-year limited warranty. Complete warranty terms located at [www.acuitybrands.com/CustomResources/Terms\\_and\\_conditions.aspx](http://www.acuitybrands.com/CustomResources/Terms_and_conditions.aspx)

Actual performance may differ as a result of end-user environment and application.

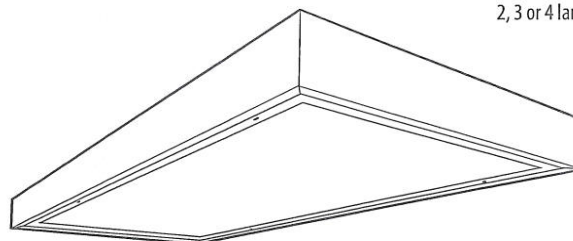
Note: Specifications subject to change without notice.

Catalog Number
Notes
Type

Rough Service Modular Fixture

**VRS 2' x 4'**

**IMPACT-RESISTANT DIFFUSER**  
2, 3 or 4 lamps



#### ORDERING INFORMATION

For shortest lead times, configure using standard options (shown in bold).

Example: 2VRS 3 32 AR12 MVOLT

VRS	3	32	VL	120	GEB10IS EL6DW
Series	Lamps <sup>1</sup>	Lamp type	Diffuser	Voltage	Options
<b>2VRS</b> Rough service surface modular 2x4	2 3 4 6	<b>32</b> 32W T8 (48")	<b>VL</b> .250" clear polycarbonate laminated to A12 .125" acrylic	<b>120</b> 277 347 MVOLT <sup>2</sup> Others available	<b>GEB10IS</b> Electric ballast, <10% THD, instant start <b>ELDW</b> Emergency battery pack (nominal 300 lumens) <sup>3</sup> <b>EL5DW</b> Emergency battery pack (nominal 500 lumens) <b>EL14DW</b> Emergency battery pack (nominal 1400 lumens) <sup>3</sup> 1/3 One three-lamp ballast (other optional ballast configurations available) <b>GLR</b> Internal fast-blow fuse <b>GMF</b> Internal slow-blow fuse <b>CSA</b> CSA Certified <b>NOM</b> NOM Certified <b>SW</b> Palletized and stretch-wrapped
<b>VRS</b> Rough service surface modular 1x4			<b>AR12</b> #12 pattern high-impact acrylic, .140" <b>ARF12</b> #12 pattern high-impact acrylic with RF grid, .140" <b>PCL12187</b> #12 pattern polycarbonate, .187"		

Accessories: Order as separate catalog number.	
RK1 T20BIT	Hex-base driver bit, Torx TX20, for tamper-resistant screws with center reject pin.
RK1 T20DRV	Torx TX20 screwdriver for use with tamper-resistant screws with center reject pin.

#### Notes

- Lamps not included. Six-lamp configuration available on 2x4 only.
- Electronic ballast 120-277V only. Must specify GEB10IS.
- Not recommended for use in ambient temperatures exceeding 40 degrees F.
- Not available with MVOLT.

Luminaires ordered with the DW option (Example: EL5DW will bear the UL Emergency Lighting Equipment label for damp or wet locations, depending on the fixture).

Submitting Agency:



Lighting & Electrical Associates, Inc.  
604-887-1235

Description: **VRS 3 32 VL 120 GEB10IS EL6DW**  
 Factory: **Lithonia Lighting**  
 Project: **VETERANS PARK 3RD ST RESTROOMS**  
 Notes:

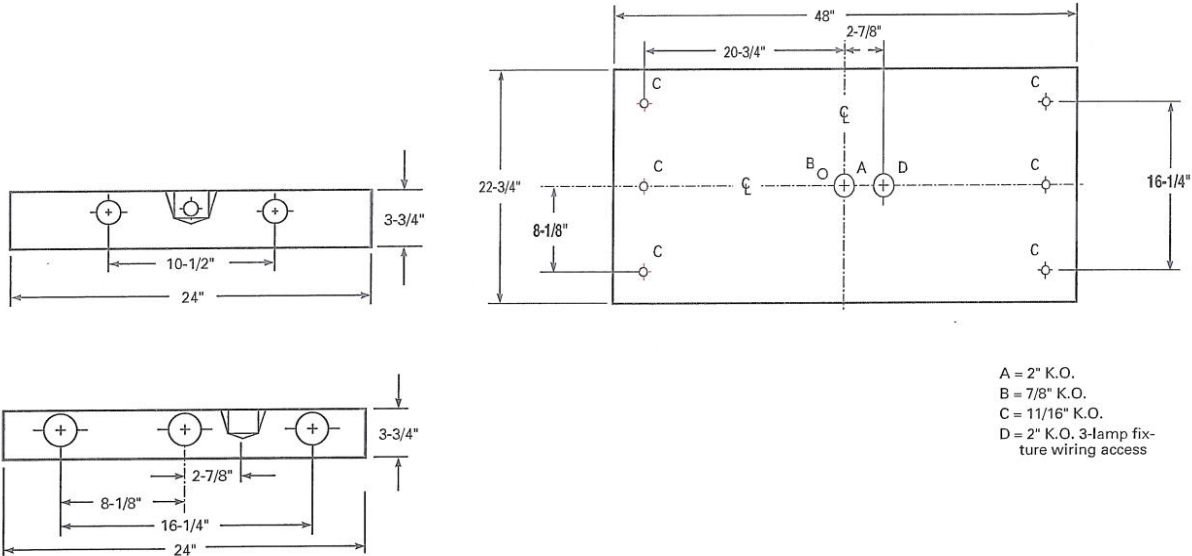
Type:

**F1E**

## VRS 2x4 Impact Resistant Diffuser

### MOUNTING DATA

For unit or row installation, surface mounting.



A = 2" K.O.  
 B = 7/8" K.O.  
 C = 11/16" K.O.  
 D = 2" K.O. 3-lamp fixture wiring access

Dimensions subject to change without notice.

### PHOTOMETRICS

Calculated using the zonal cavity method in accordance with IESNA LM41 procedure. Floor reflectances are 20%. Lamp configurations shown are typical. Full photometric data on these and other configurations available upon request.

#### VRS 4 32 VL

Report LTL 5416

#### Coefficient of Utilization

Ceiling	80%			70%			50%		
	70%	50%	30%	70%	50%	30%	50%	30%	10%
1	61	58	57	59	57	56	55	54	52
2	56	53	50	55	52	49	50	47	45
3	52	47	44	51	47	43	45	42	40
4	48	43	39	47	42	38	41	37	35
5	45	38	34	43	38	34	37	33	30
10	30	23	19	29	23	19	22	19	16

#### Zonal Lumens Summary

Zone	Lumens	%Lamp	%Fixture
0-30	2181	18.8	34.5
0-40	3596	31.0	56.9
0-60	5617	48.4	88.9
0-90	6319	54.5	100.0
90-180	0	0.0	0.0
0-180	6319	54.5	100.0

#### VRS 3 32 VL

Report LTL 5417

#### Coefficient of Utilization

Ceiling	80%			70%			50%		
	70%	50%	30%	70%	50%	30%	50%	30%	10%
1	64	62	60	62	60	59	58	57	55
2	59	56	52	58	54	52	53	50	48
3	55	50	46	54	49	46	48	44	42
4	51	45	41	50	44	40	43	40	37
5	47	41	36	46	40	36	39	35	32
10	32	24	20	31	24	20	24	20	17

#### Zonal Lumens Summary

Zone	Lumens	%Lamp	%Fixture
0-30	1717	19.7	34.3
0-40	2841	32.7	56.8
0-60	4453	51.2	89.1
0-90	4999	57.5	100.0
90-180	0	0.0	0.0
0-180	4999	57.5	100.0

#### VRS 4 32 PC12.125

Report LTL 5419

#### Coefficient of Utilization

Ceiling	80%			70%			50%		
	70%	50%	30%	70%	50%	30%	50%	30%	10%
1	63	61	59	62	60	58	57	56	54
2	59	55	52	57	54	51	52	49	47
3	54	49	46	53	49	45	47	44	41
4	51	45	40	49	44	40	43	39	36
5	47	40	36	46	40	35	39	35	32
10	32	25	20	31	25	20	24	20	17

#### Zonal Lumens Summary

Zone	Lumens	%Lamp	%Fixture
0-30	2414	20.8	36.4
0-40	3889	33.5	58.7
0-60	5783	49.9	87.3
0-90	6623	57.1	100.0
90-180	0	0.0	0.0
0-180	6623	57.1	100.0



VRS-2X4-F

Submitting Agency:



Lighting & Electrical Associates, Inc.  
504-887-1235

Description: **WSR LED 2 10A700/40K SR4 120 SF VG**  
**DDBXD**  
 Factory: Lithonia Lighting  
 Project: VETERANS PARK 3RD ST RESTROOMS  
 Notes:

Type:

**F2**



## WSR LED Architectural Wall Sconce



Inverted available with WLU option only.

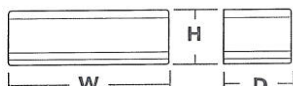
Catalog Number

Notes

Type

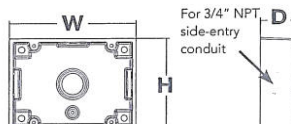
### Specifications Luminaire

Height: 7-1/4" (18.4 cm)  
 Width: 18" (45.7 cm)  
 Depth: 9" (22.8 cm)  
 Weight: 17 lbs (7.7 kg)



### Optional Back Box (BBW)

Height: 4" (10.2 cm)  
 Width: 5-1/2" (14.0 cm)  
 Depth: 1-1/2" (3.8 cm)



### Introduction

The classic Architectural Wall Sconce is now available with the latest in LED technology. The result is a long-life, maintenance-free product with typical energy savings of 75% compared to metal halide versions. The integral battery backup option provides emergency egress lighting, without the use of a back-box or remote gear, so installations maintain their aesthetic integrity.

The WSR LED is ideal for replacing existing 50-175W metal halide wall-mounted products. The expected service life is 20+ years of nighttime use.

### Ordering Information

EXAMPLE: WSR LED 2 10A700/40K SR3 MVOLT DDBTXD

Series	Light Engines	Performance Package	Distribution	Voltage	Mounting	Options <sup>1</sup>	Finish (required)
WSR LED	1 One engine (10 LEDs) 2 Two engines (20 LEDs)	700 mA options: 10A700/30K 3000K 10A700/40K 4000K 10A700/50K 5000K	SR2 Type II SR3 Type III SR4 Type IV	MVOLT <sup>1</sup> 120 <sup>1</sup> 208 <sup>1</sup> 240 <sup>1</sup> 277 <sup>1</sup> 347 480	Shipped included (blank) Surface mount Shipped separately <sup>2</sup> BBW Surface-mounted back box UTS Uptilt 5 degrees	Shipped installed PE Photoelectric cell, button type <sup>4,5</sup> SF Single fuse (120, 277, 347V) <sup>4</sup> DF Double fuse (208, 240, 480V) <sup>4</sup> DMG 0-10V dimming driver (no controls) ELCW Emergency battery backup <sup>6</sup> WLU Wet location door for up orientation <sup>7</sup> PIR Motion/ambient light sensor <sup>3</sup> Shipped separately VG Vandal guard WG Wire guard	<del>DDBXD Dark Bronze</del> DBLXD Black DNAXD Natural aluminum DWHXD White DSSXD Sandstone DDBTXD Textured dark bronze DBLTXD Textured black DNATXD Textured natural aluminum DWHGXD Textured white DSSTXD Textured sandstone

### Emergency Battery Operation

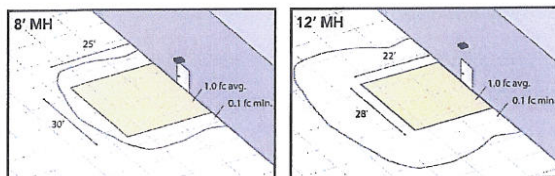
The emergency battery backup (ELCW option) is integral to the luminaire - no external housing required! This design provides reliable emergency operation while maintaining the aesthetics of the product.

All ELCW configurations include an independent secondary driver with an integral relay to immediately detect AC power loss. Dual light engines are wired in parallel so both engines operate in emergency mode and provide additional component redundancy. These design features meet various interpretations of NFPA 70/NEC 2008 - 700.16.

The emergency battery will power the luminaire for a minimum duration of 90 minutes (maximum duration of three hours) from the time supply power is lost, per International Building Code Section 1006 and NFPA 101 Life Safety Code Section 7.9, provided luminaires are mounted at an appropriate height and illuminate an open space with no major obstructions.

The examples at right show illuminance of 1 fc average and 0.1 fc minimum of the single-engine Type IV product in emergency mode.

WST LED 1 10A700/40K SR4 MVOLT ELCW  
 10' x 10' Gridlines  
 8' and 12' Mounting Height



### NOTES

- MVOLT driver operates on any line voltage from 120-277V (50/60 Hz). Specify 120, 208, 240 or 277 options only when ordering with photocell (PE option) or fusing (SF, DF options).
- May also be ordered separately as an accessory. Ex: WSBBW DDBXD U. Must specify finish.
- Must be ordered with fixture; cannot be field installed.
- Not available with MVOLT option. Button photocell (PE) can be ordered with a dedicated voltage option. Single fuse (SF) requires 120, 277 or 347 voltage option. Double fuse (DF) requires 208, 240 or 480 voltage option.
- Not available with 480V option. Not available with motion/ambient light sensor (PIR).
- Integral battery pack is rated for -20° to 60°C operating temperature. ELCW warranty is 3-year period. Not available with 347V or 480V. Not available with WLU.
- WLU not available with PIR or ELCW.
- Specifies the SensorSwitch SFD-7-ODP control (photocell included); see Motion Sensor Guide for details. Not available with "PE" option (button type photocell). Dimming driver standard. Not available with WLU, VG or WG.



Submitting Agency:



Lighting & Electrical Associates, Inc.  
604-887-1235

Description: **WSR LED 2 10A700/40K SR4 120 SF VG**  
**DDBXD**  
 Factory: **Lithonia Lighting**  
 Project: **VETERANS PARK 3RD ST RESTROOMS**  
 Notes:

Type:

**F2**

## Performance Data

### Lumen Output

Lumen values are from photometric tests performed in accordance with IESNA LM-79-08. Data is considered to be representative of the configurations shown, within the tolerances allowed by Lighting Facts. Actual wattage may differ by +/- 8% when operating between 120-480V +/- 10%. Actual performance may differ as a result of end-user environment and application.

Light Engines	Drive Current (mA)	Performance Package	System Watts (MVOLT)	Dist. Type	40K (4000K, 70 CRI)				
					Nominal Lumens	B	U	G	LPW
1 (10 LEDs)	700	10A700/-K	24W	SR2	2,005	1	0	1	84
				SR3	2,029	1	0	1	84
				SR4	1,959	1	0	1	82
2 (20 LEDs)	700	10A700/-K	47W	SR2	3,944	1	0	1	84
				SR3	4,028	1	0	1	86
				SR4	3,851	1	0	1	82

1 See electrical load chart for 347/480V system watts.

### Lumen Ambient Temperature (LAT) Multipliers

Use these factors to determine relative lumen output for average ambient temperatures from 0-40°C (32-104°F).

Ambient	Lumen Multiplier
0°C	1.10
10°C	1.06
20°C	1.02
25°C	1.00
30°C	0.98
40°C	0.92

### Projected LED Lumen Maintenance

Data references the extrapolated performance projections for the WSR LED 2 10A700 platform in a 25°C ambient, based on 10,000 hours of LED testing (tested per IESNA LM-80-08 and projected per IESNA TM-21-11).

To calculate LLF, use the lumen maintenance factor that corresponds to the desired number of operating hours below. For other lumen maintenance values, contact factory.

Operating Hours	0	25,000	50,000	100,000
Lumen Maintenance Factor	1.0	0.94	0.88	0.77

### Electrical Load

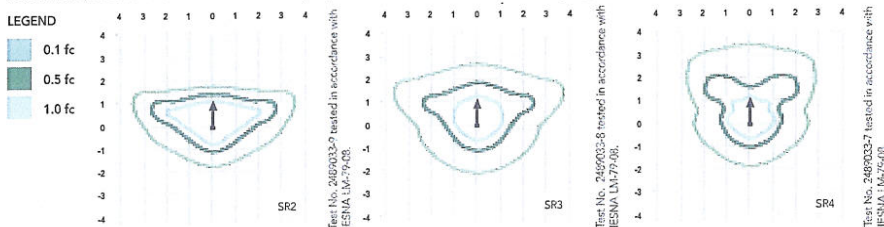
Light Engines	Drive Current (mA)	System Watts	Current (A)					
			120	208	240	277	347	480
1	700	24W	0.24	0.14	0.12	0.1	-	-
		29W <sup>1</sup>	-	-	-	-	0.09	0.07
2	700	47W	0.44	0.27	0.23	0.20	-	-
		53W <sup>1</sup>	-	-	-	-	0.17	0.12

1 Higher wattage is due to electrical losses from step-down transformer.

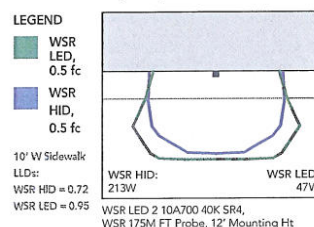
## Photometric Diagrams

To see complete photometric reports or download .ies files for this product, visit Lithonia Lighting's WSR LED homepage.

Isofootcandle plots for the WSR LED 2 10A700/40K SR2, SR3, and SR4. Distances are in units of mounting height (12").



Distribution overlay comparison to 175W metal halide.



## FEATURES & SPECIFICATIONS

### INTENDED USE

The classic architectural shape of the WSR LED was designed for applications such as hospitals, schools, malls, restaurants, and commercial buildings. The long life LEDs and driver make this luminaire nearly maintenance-free.

### CONSTRUCTION

The single-piece die-cast aluminum housing integrates secondary heat sinks to optimize thermal transfer from the internal light engine heat sinks and promote long life. The driver is mounted in direct contact with the casting for a low operating temperature and long life. The die-cast door frame is fully gasketed with a one-piece solid silicone gasket to keep out moisture and dust, providing an IP65 rating for the luminaire.

### FINISH

Exterior parts are protected by a zinc-infused Super Durable TGIC thermoset powder coat finish that provides superior resistance to corrosion and weathering. A tightly controlled multi-stage process ensures a minimum 3 mils thickness for a finish that can withstand extreme climate changes without cracking or peeling. Standard Super Durable colors include dark bronze, black, natural aluminum, sandstone and white. Available in textured and non-textured finishes.

### OPTICS

Precision-molded acrylic lenses are engineered for superior distribution, uniformity, and spacing in wall-mount applications. Light engines are 4000K (70 CRI). The WSR LED has zero uplight and qualifies as a Nighttime Friendly™ product, meaning it is consistent with the LEED® and Green Globes™ criteria for eliminating wasteful uplight.

### ELECTRICAL

Light engine(s) consist of 10 high-efficacy LEDs mounted to a metal core circuit board and integral aluminum heat sinks to maximize heat dissipation and promote long life (100,000 hrs at 25°C, L77). Class 2 electronic driver has a power factor >90%, THD <20%. Easily-serviceable surge protection device meets a minimum Category B (per ANSI/IEEE C62.41.2).

### INSTALLATION

A universal mounting plate with integral mounting support arms allows the fixture to hinge down for easy access while making wiring connections. The integral bubble level on the mounting plate provides assistance for level placement on every installation.

### LISTINGS

CSA certified to U.S. and Canadian standards. Light engines are IP66 rated; luminaire is IP65 rated and suitable for wet locations when mounted with the lenses down. WLU option offers wet location listing in "up" orientation. Rated for -30°C minimum ambient.

DesignLights Consortium® (DLC) qualified product. Not all versions of this product may be DLC qualified. Please check the DLC Qualified Products List at [www.designlights.org](http://www.designlights.org) to confirm which versions are qualified.

### WARRANTY

Five year limited warranty. Full warranty terms located at [www.acuitybrands.com/CustomerResources/Terms\\_and\\_conditions.aspx](http://www.acuitybrands.com/CustomerResources/Terms_and_conditions.aspx).

Note: Specifications subject to change without notice.



One Lithonia Way • Conyers, Georgia 30012 • Phone: 800.279.8041 • Fax: 770.918.1209 • [www.lithonia.com](http://www.lithonia.com)  
 © 2011-2014 Acuity Brands Lighting, Inc. All rights reserved.

WSR-LED  
 Rev. 07/21/14

Q2C Number : 35430956

BOM Number: 71118

BOM Name: THIRD STREET - VETERANS PARK

BOM Sub Name:

Item Number	Quantity	Catalog Number / Details
1-00	1	<p><b>Designation: LP-1</b> NQ MB Panel (Interior) NQ Panelboard Consisting of 120/240V 1Ph 3W 60Hz SCCR: 22kA Fully Rated Single Main: 100A/2P QOB-VH Circuit Breaker Incoming Conductors: 1 - #4 - 2/0 AWG AL Ground Bar Bus: Copper: Silver/Tin Plated 30 Circuit Interior Type 1, Box: 32H x 20W x 5.75D Incoming: Bottom Trim: Surface with Door Box Cat No: MH32 Front Cat No: NC32S Ref. Drawing: PBA703A Feeders: 12 - 20A/1P QOB-VH 12 - 20A/1P QOB-VH Prepared Space Optional Features: Standard Panel (Box Ahead), Standard Solid Neutral, Standard Ground Bar Standard Nameplate: Engraved as Follows Line 1: LP-1 Size: 3.50" Wide x 1.00" High (Std) Color: Black Surface / White Letters Plastic/Adhesive - Screw-on</p>

**Estimated Ship Days (ARO): 15 Working Days**

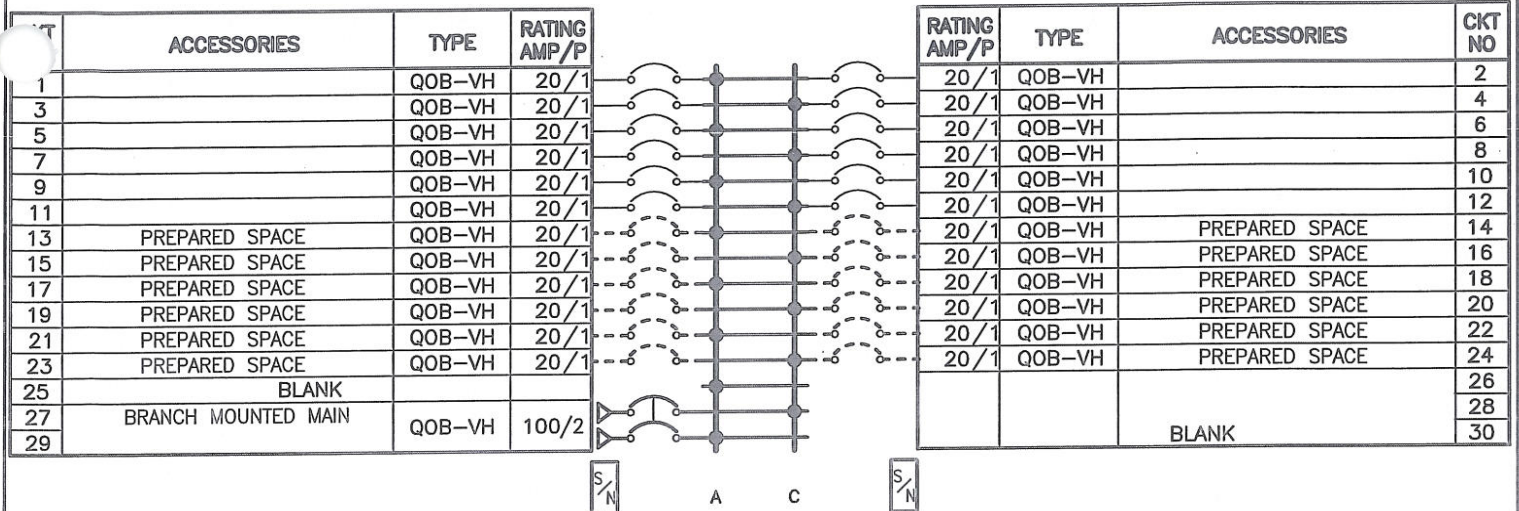
2-00	1	<p><b>Designation: LP-1</b> MH32 (Box) NQ Standard TYPE 1 Box 32 H</p>
------	---	--

**Estimated Ship Days (ARO): 4 Working Days**

3-00	1	<p><b>Designation: LP-1</b> NC32S (Trim) NQ Standard TYPE 1 Box 32 H</p>
------	---	--

**Estimated Ship Days (ARO): 15 Working Days**

REV	DESCRIPTION	BY	DATE				
-							



**PHYSICAL DATA**

ENCLOSURE Type 1  
 Surface with Door  
 FRONT CAT#: NC32S  
 BOX CAT#: MH32  
 DIMENSIONS:  
 32"H x 20"W x 5.75"D  
 WIRE BENDING SPACE:  
 TOP - 3.25  
 BOTTOM - 9.6  
 SIDE - 6.13  
 PBA: 703A

BUSSING: Copper  
 Silver/Tin Plated

OPTIONAL FEATURES:  
 ALUMINUM SOLID NEUTRAL  
 ALUMINUM GROUND BAR

-----STANDARD EQUIPMENT NAMEPLATE-----

Engraved as Follows  
 LINE 1: LP-1  
 COLOR: Black Surface / White Letters  
 SIZE: 3.50" Wide x 1.00" High (Std)  
 TYPE: Plastic/Adhesive - Screw-on

**ELECTRICAL DATA**

SYSTEM: 120/240V 1Ph 3W 60Hz  
 System Ampacity: 100A  
 22kA SYMS. SCCR  
 MAIN: MAIN BREAKER QOB-VH 100A  
 Bottom FEED  
 22kA AIR  
 INCOMING CONDUCTORS(S) PER NEC:  
 #4 - 2/0 AWG  
 BRANCH MOUNTING TYPE: BOLT-ON  
 -----BRANCH SUMMATION-----  
 12 - 20A/1P QOB-VH                      12 - 20A/1P-PS QOB-VH

JOB NAME:	THIRD STREET - VETERANS PARK	EQUIPMENT DESIGNATION:	LP-1
JOB LOCATION:	SLIDELL LA	EQUIPMENT TYPE:	NQ (Circuit Breaker Type) PANEL 1 OF 1
DRAWN BY:	(Q2C)	DRAWING TYPE:	ONE LINE DIAGRAM
ENGR:			
DATE:	October 30 2014	by Schneider Electric	
DRAWING STATUS:	QUOTE	DWG#	035430956-01
		PG	1 OF 1
		REV	-