

FMA, INC.
Construction Consultants
TRANSMITTAL

To: Ameritrust Plumbing
67476 Marshall Vaughan Rd.
Lacombe, LA 70445

Project: Third Street/Veterans Park

Date: 12/10/2014

Our Job No.: 242

We are enclosing or delivering under separate cover one copies of the following:

- | | |
|--|--|
| <input type="checkbox"/> Subcontract Agreement | <input type="checkbox"/> Executed |
| <input type="checkbox"/> Shop Drawings | <input type="checkbox"/> Approved |
| <input type="checkbox"/> List of Materials | <input type="checkbox"/> Unapproved |
| <input type="checkbox"/> Plans | <input type="checkbox"/> For Approval |
| <input type="checkbox"/> Specifications | <input type="checkbox"/> For Your Signature |
| <input type="checkbox"/> Change Order | <input type="checkbox"/> For Correction |
| <input type="checkbox"/> Payroll Affidavit | <input type="checkbox"/> For Review and Comment |
| <input type="checkbox"/> Letter | <input checked="" type="checkbox"/> For Your Use |
| <input checked="" type="checkbox"/> <u>Plumbing Submittals</u> | |

Remarks: APPROVED AS NOTED:

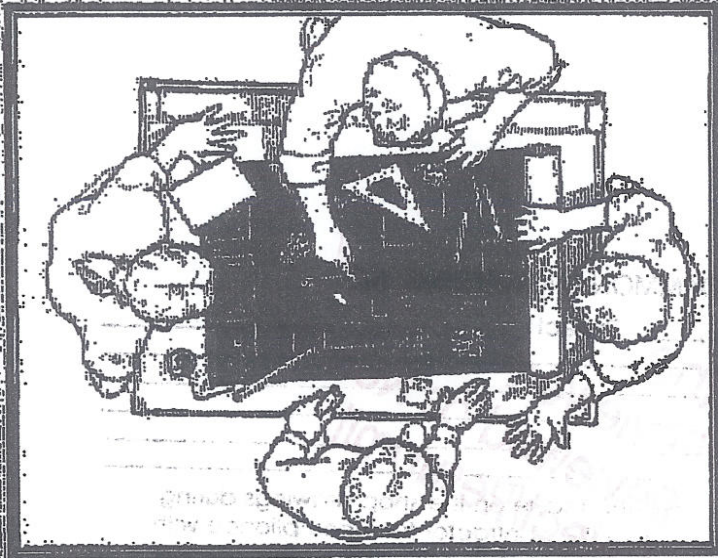
Item #6 ZN1222 Zurn Carrier was deleted under Addendum #1.

Item #13 SR30L Chromite Electric Heater, delete this item. No hot water provided in restrooms. Please submit credit for water heater and battery operated faucets.

Copies to: _____

By: _____
Melvin A. Faciane, Jr.
Vice President/Secretary/Treasurer

Plumbing Submittal



Veterans Park

Submitted by:

Ameritrust Plumbing

10/27/2014

Revised 11/21/14 JLV

REVISSED 11/21/14

THE PLUMBING WAREHOUSE
 13 PRODUCTION DRIVE
 SUITE 1155
 PHOENIX, AZ 85029
 PHONE 985-781-8343
 FAX 985-781-8346
 WWW.THEPLUMBINGWAREHOUSE.NET

Spec#

Table of Contents

1	K4368WH	KO K-4368 HIGH EL BOWL 1.5 T/S WH	
2	Z6000WS1YB	Z6000-WS1-YB 1.6 WC FLUSH VALVE	
3	/00000000001	BENEKE 527SS TOILET SEAT	
4	K5016ETWH	KO K-5016-ET DEX 3/4TS SJET URIN WH	
5	Z6003WS1YB	Z6003-WS1-YB 1.0 UR FLUSH VALVE	
6	ZN1222	ZURN CARRIER F/URINAL & WATER COOLR	Delete
7	K21961WH	KO K-2196-1 PEN 20X17 1H C/T LAV WH	
8	/000000000006	BRADLEY AERADA S53-315	Replaced w/ Delta Single Lever / J.L.C.
9	70007	3X4 PVC PIPE FIT BASE W/PRIMER70007	
10	72160	BARREL W/6 IN NB RING & GRATE 72160	
-11	/000000000003	WADE W-8453-R6	
12	/000000000005	WATTS 009 1-1/2 BACKFLOW	
13	CHSR30L110V	SR30L CHRONOMITE ELEC HEATER 110 VT	Delete
14	OAT43904	43904 OATEY 4IN PVC BACKWATER VALVE	

FMA, Inc.

- Reviewed 10-29-14
- Reviewed as Noted
- Reject/Resubmit

Revised 11/21/14 J.L.C.

Disclaimer

The specification sheets provided herein were written and provided by the product's manufacturer and not by Hajaoca Corporation. Consequently, Hajaoca Corporation cannot assume and disclaims any responsibility for errors, omissions or any misstatements in the product specifications provided herein.

KOHLER

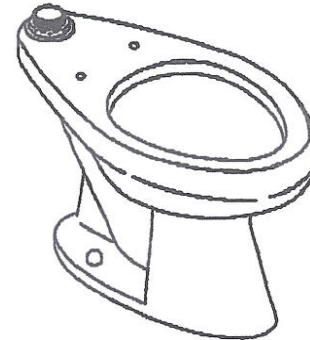
HIGHCLIFF™

BOWL K-4368

ADA

Features

- Vitreous china
- Elongated bowl
- 1-1/2" top spud
- 10" (254 mm) or 12" (305 mm) rough-in
- 2-1/4" (57 mm) passageway
- 11-3/8" (289 mm) x 10-3/8" (264 mm) water area
- 1.6 gpf (6 lpf)
- With bedpan lugs (-L)
- 26" (660 mm) x 14-1/2" (368 mm) x 17-1/2" (445 mm)



K4368WH

Codes/Standards Applicable

Specified model meets or exceeds the following:

- ADA
- ASME A112.19.2/CSA B45.1
- ICC/ANSI A117.1

Colors/Finishes

- 0: White
- Other: Refer to Price Book for additional colors/finishes

Accessories

- 0: White
- CP: Polished Chrome
- Other: Refer to Price Book for additional colors/finishes

Specified Model

Model	Description	Colors/Finishes	
		<input type="checkbox"/> 0	<input type="checkbox"/> Other _____
K-4368	Elongated bowl toilet	<input type="checkbox"/> 0	<input type="checkbox"/> Other _____
K-4368-B	Elongated bowl toilet with 4 bolt holes in base	<input type="checkbox"/> 0	<input type="checkbox"/> Other _____
K-4368-L	Elongated bowl toilet with bedpan lugs	<input type="checkbox"/> 0	<input type="checkbox"/> Other _____
Recommended Accessories			
K-4654-A	Lustra open front seat with support arms and cover with anti-microbial agent	<input type="checkbox"/> 0	<input type="checkbox"/> Other _____
K-4670-C	Lustra open front seat	<input type="checkbox"/> 0	<input type="checkbox"/> Other _____
K-4670-CA	Lustra open front seat with anti-microbial agent	<input type="checkbox"/> 0	<input type="checkbox"/> Other _____
K-10674	WAVE exposed toilet flushometer - 1.6 gpf (6 lpf)		<input type="checkbox"/> CP
K-10957	Touchless DC toilet flushometer - 1.6 gpf (6 lpf)		<input type="checkbox"/> CP
K-13516	Manual toilet flushometer - 1.6 gpf (6 lpf)		<input type="checkbox"/> CP
Additional seat and flushometer options are available (refer to the Kohler Price Book)			

Product Specification

The elongated bowl shall be 10" (254 mm) or 12" (305 mm) rough-in with a 1-1/2" top spud. Bowl shall be made of vitreous china. Bowl shall be 1.6 gpf (6 lpf). Bowl shall have 11-3/8" (289 mm) x 10-3/8" (264 mm) water area. Bowl shall have 2-1/4" (57 mm) passageway. Bowl shall have bedpan lugs (-L). Bowl shall be 26" (660 mm) in length, 14-1/2" (368 mm) in width, and 17-1/2" (445 mm) in height. Bowl shall be Kohler Model K-4368-_____.

HIGHCLIFF™

Technical Information

Fixture:	
Configuration	Top spud, elongated
Water per flush	1.6 gal (6 L)*
Spud size	1-1/2"
Passageway	2-1/4" (57 mm)
Water area	11-3/8" (289 mm) x 10-3/8" (264 mm)
Water depth from rim	6" (152 mm)
Seat post hole centers	5-1/2" (140 mm)
Minimum static pressure required	35 psi (241.3 kPa)
Maximum static pressure	80 psi (551.6 kPa)
Minimum flowing pressure required	25 psi (172.4 kPa)
Required supply minimum	25 gpm (94.6 lpm)
* Designed to flush with 1.6 gal (6 L) of water when installed with a 1.6 gpf (6 lpf) valve.	

Included components:	
Spud	18357
Bolt cap accessory pack	1013092

Installation Notes

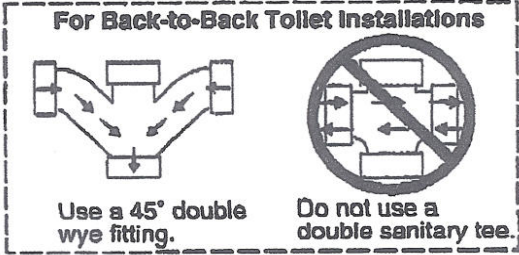
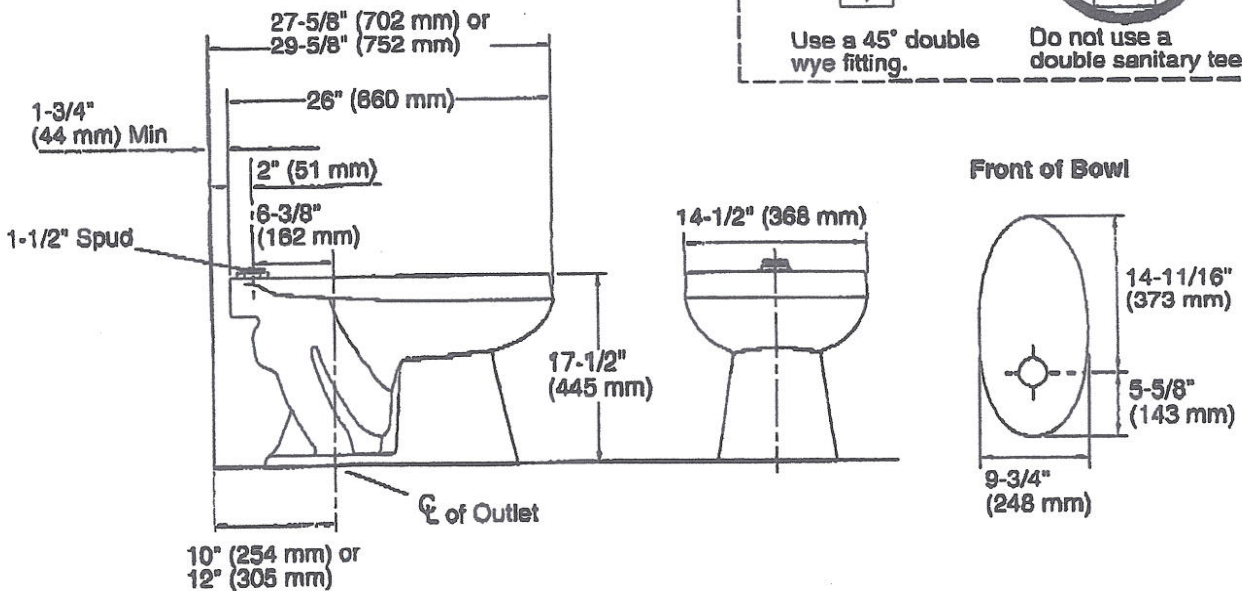
Install this product according to the installation guide.

Refer to manufacturer and local codes for flushometer requirements: for 12" (305 mm) rough-in, sweat extension nipple is required.

For back-to-back toilet installations: Use only a 45° double wye fitting.

Will comply with the American Disabilities Act (ADA) when installed per the requirements of the Accessibility Guidelines, Section 604 Water Closets, of the Act. The Model Plumbing Codes require the installation of elongated open-front toilet seats in public bathrooms.

K4368WH



Product Diagram

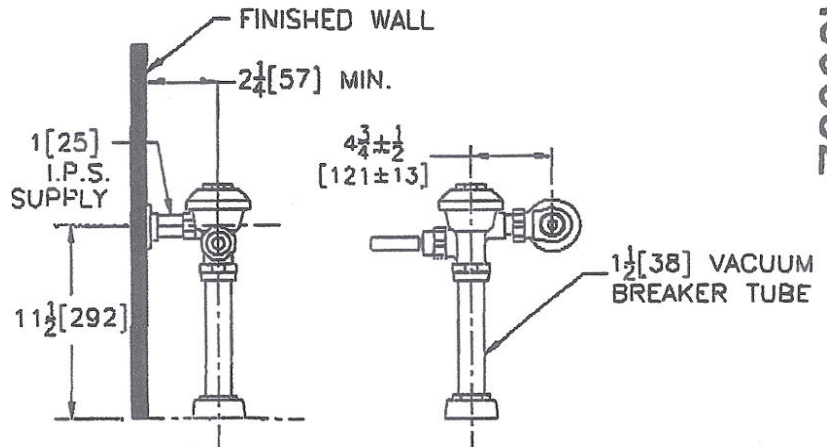
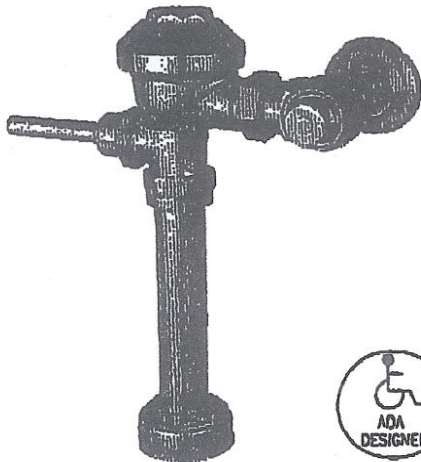


Aquaflush®

TAG

Z6000WS1YB

Z6000 Model for Water Closets



Flow Options

- WS1 1.6 Gal. Low Consumption Flush
- WS 3.5 Gallons Per Flush
- FF 4.5 Gal. Full Flush

Suffix Options (Check/Specify Appropriate Options)

- BG BioCare™ ADA Handle
- DF Dual Flush 1.6/1.1 gpf
- H Handle on Front of Flush Valve
- HL 1" [25] Metal Push Button
- HL3 3" [76] Metal Push Button
- VC Vandal Resistant Stop Cover
- YB Sweat Solder Kit
- YC Cast Wall Flange
- YJ Split Ring Pipe Support
- YK Solid Ring Pipe Support
- Other

ENGINEERING SPECIFICATION: ZURN Z6000 Aquaflush Exposed Closet Flush Valve - Exposed, quiet diaphragm-type, chrome plated flushometer valve with a polished exterior. Complete with a chloramine resistant, dual seal diaphragm with a clog resistant by-pass. The valve is ADA compliant with a non-hold-open and no leak handle feature, high back pressure vacuum breaker, one piece hex coupling nut, adjustable tailpiece, spud coupling and flange for top spud connection. Control stop has internal siphon-guard protection. Internal seals are made of chloramine resistant materials.

- Z6000PL - Aquaflush Plus is furnished as specified above and includes sweat solder kit, vandal resistant stop cap, and cast wall flange with set screw. **Complete with a chloramine resistant, dual seal diaphragm with a clog resistant by-pass.**

Architectural/Engineering Approval

ZURN INDUSTRIES, L.L.C. ♦ COMMERCIAL BRASS OPERATION ♦ 5900 ELWIN BUCHANAN DRIVE ♦ SANFORD NC 27330
 PHONE: 1-800-997-3876 ♦ FAX: 919-775-3541 ♦ WORLD WIDE WEB: WWW.ZURN.COM
 IN CANADA: ZURN INDUSTRIES LIMITED ♦ 3544 NASHUA DRIVE ♦ MISSISSAUGA, ONTARIO L4V1L2 ♦ PHONE: 905-403-8272 FAX: 905-403-8272

Aquaflush® is a registered trademark of Zurn Industries, L.L.C.

Rev. J
Dwg. No. 55936

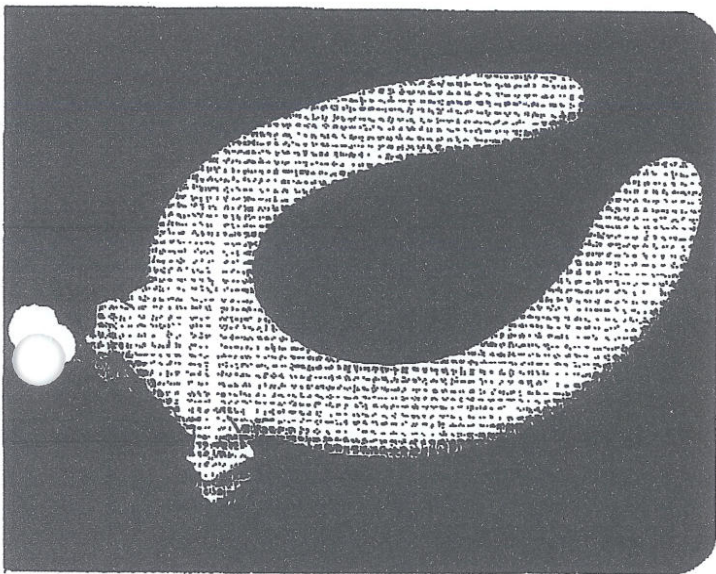
Date:
Product No.



BENEKE®

527

Extra Heavy Duty Solid Plastic Seats Commercial/Industrial/Institutional Installations



527 Elongated (Open front seat less cover)

Seat Shall be Beneke No. 527 Elongated

- Seat is injection molded of high strength, impact and chemical resistant polypropylene.
- Matching Check Hinges have integrally molded, stainless steel posts fitted with stainless steel washers and nuts.
- The Perma-Bumper® feature provides integrally molded bumpers that are permanent, sanitary and easy to clean
- Seats meet or exceed existing commercial standards.
- White or black.

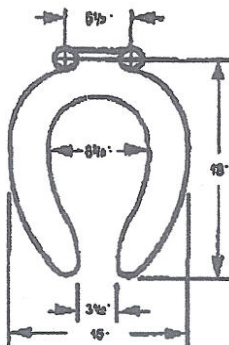
FEATURE OPTION

Specify:

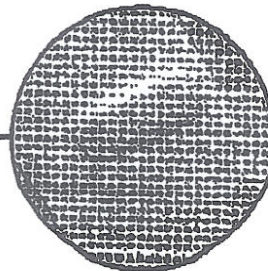
527 SS For Self-Sustaining feature with Check Hinges.

527 SS PC/FR

For Perma-Check® Antimicrobial and Flame Retardant Features.



527 Elongated



The exclusive Perma-Bumper® design features integrally molded bumpers that are permanent, sanitary and easy to clean



The Self-Sustaining feature with Check Hinges allows the seat to be positioned at any desired angle. Beneke constructed this feature so it never needs adjusting and will never wear out

Original BENEKE® Features

KOHLER.

DEXTER™

URINAL
K-5016-ET

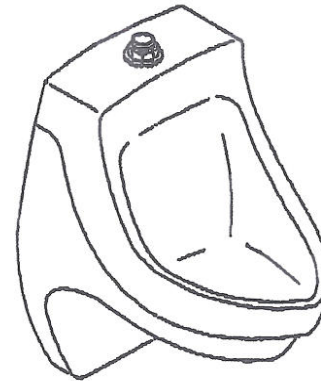
Features

- Vitreous china
- Siphon jet
- 3/4" top spud
- Includes inlet and outlet spuds and hangers
- Includes anti-backsplash wall
- 14-1/2" (368 mm) extended rim
- 0.5 gpf (1.9 lpf) or 1.0 gpf (3.8 lpf)
- WaterSense® compliant when used with WaterSense flushometer

ADA



K5016ETWH



Codes/Standards Applicable

Specified model meets or exceeds the following:

- ADA
- ICC/ANSI A117.1
- ASME A112.19.2/CSA B45.1
- EPA WaterSense®

Colors/Finishes

- 0: White
- Other: Refer to Price Book for additional colors/finishes

Accessories

- CP: Polished Chrome

Specified Model

Model	Description	Colors/Finishes	
K-5016-ET	3/4" top spud urinal	<input type="checkbox"/> 0	<input type="checkbox"/> Other _____
Recommended Accessories			
K-10675	WAVE exposed washout urinal flushometer – 0.5 gpf (1.9 lpf)	<input type="checkbox"/> CP	
K-10958	Touchless DC washout urinal flushometer – 0.5 gpf (1.9 lpf)	<input type="checkbox"/> CP	
K-10961	Touchless DC siphon jet urinal flushometer – 1.0 gpf (3.8 lpf)	<input type="checkbox"/> CP	
K-13521	Manual siphon jet urinal flushometer – 1.0 gpf (3.8 lpf)	<input type="checkbox"/> CP	

Product Specification

The siphon jet urinal shall be made of vitreous china with a 3/4" top spud. Urinal shall include inlet and outlet spuds and hangers. Urinal shall include anti-backsplash wall. Urinal shall use 0.5 gpf (1.9 lpf) or 1.0 gpf (3.8 lpf). Urinal shall be WaterSense compliant when used with WaterSense flushometer. Urinal shall have a 14-1/2" (368 mm) extended rim. Urinal shall be Kohler Model K-5016-ET-_____.



DEXTER™

Technical Information

Fixture:	
Configuration	3/4" top spud
Spud Inlet size	3/4"
Water per flush	0.5 gpf (1.9 lpf) or 1.0 gpf (3.8 lpf)
Included components:	
3/4" inlet spud	18376
2" outlet spud	18786
Hanger (2 required)	64512

Installation Notes

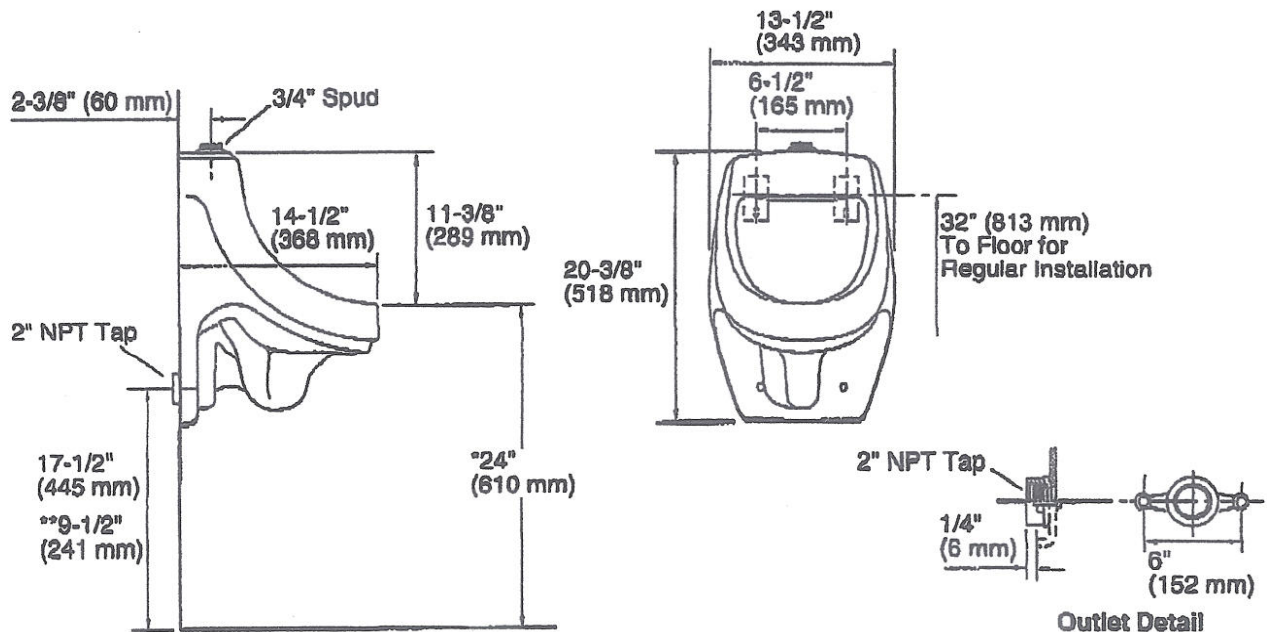
Install this product according to the installation guide.

Refer to manufacturer's instructions and local codes for flushometer requirements.

Will comply with ADA when installed per Section 605 Urinals of the ADA 2010 Standards for Accessible Design.

K5016ETWH

*Urinal complies with ADA requirement when rim is mounted no higher than 17" (432 mm) from finished floor.
 **Outlet height for ADA compliance.



Product Diagram

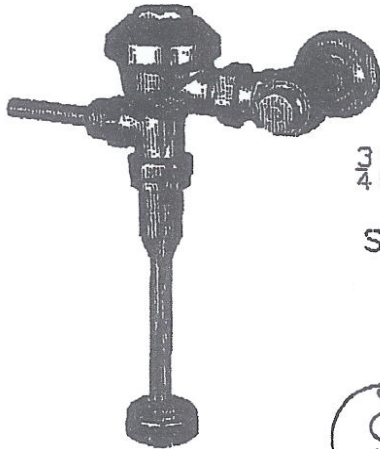


Aquaflush®

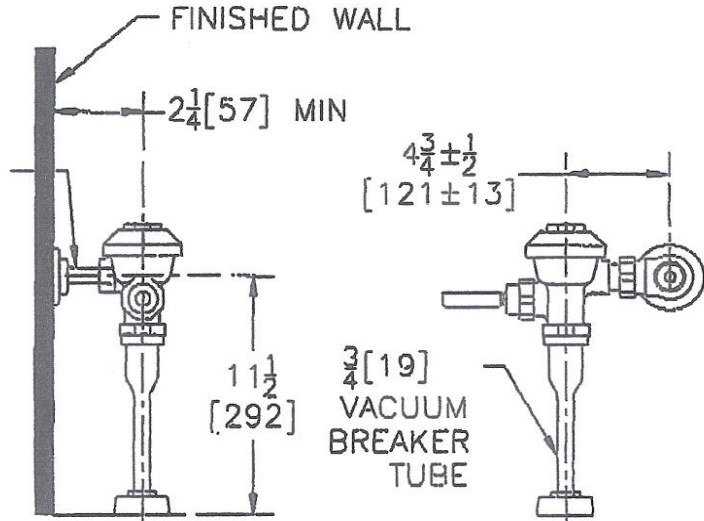
TAG _____

Z6003 Model for 3/4" Urinals

Z6003WS1YB



$\frac{3}{4}$ [19]
I.P.S.
SUPPLY



Flow Options

- EWS 0.5 Gallons Per Flush
- WS1 1.0 Gal. Low Consumption
- WS 1.5 Gallons Per Flush

Suffix Options (Check/Specify Appropriate Options)

- BG BioCare™ ADA Handle
- H Handle on Front of Flush Valve
- HL 1" [25] Metal Push Button
- HL3 3" [76] Metal Push Button
- VC Vandal Resistant Stop Cover
- YB Sweat Solder Kit
- YC Cast Wall Flange
- YJ Split Ring Pipe Support
- YK Solid Ring Pipe Support
- Other

ENGINEERING SPECIFICATION: ZURN Z6003 Aquaflush Exposed Urinal Flush Valve - Exposed, quiet diaphragm-type, chrome plated flushometer valve with a polished exterior. Complete with a chloramine resistant, dual seal diaphragm with a clog resistant by-pass. The valve is ADA compliant with a non-hold open and no leak handle feature, high back pressure vacuum breaker, one piece hex coupling nut, adjustable tailpiece, spud coupling and flange for top spud connection. Control stop has internal siphon-guard protection. Internal seals are made of chloramine resistant materials.

- Z6003PL - Aquaflush Plus is furnished as specified above and includes sweat solder kit, vandal resistant stop cap, and cast wall flange. *Complete with a chloramine resistant, dual seal diaphragm with a clog resistant by-pass.*

Architectural/Engineering Approval

ZURN INDUSTRIES, LLC. • COMMERCIAL BRASS OPERATION • 5900 ELWIN BUCHANAN DRIVE • SANFORD NC 27330

PHONE: 1-800-997-3876 • FAX: 919-775-3541 • WORLD WIDE WEB: WWW.ZURN.COM

IN CANADA: ZURN INDUSTRIES LIMITED • 3644 NASHUA DRIVE • MISSISSAUGA, ONTARIO L4V1L2 • PHONE: 905-405-8272 FAX: 905-405-4000

Aquaflush® is a registered trademark of Zurn Industries, LLC.

Rev. L
Dwg. No. 55938

Date: _____
Product No. _____

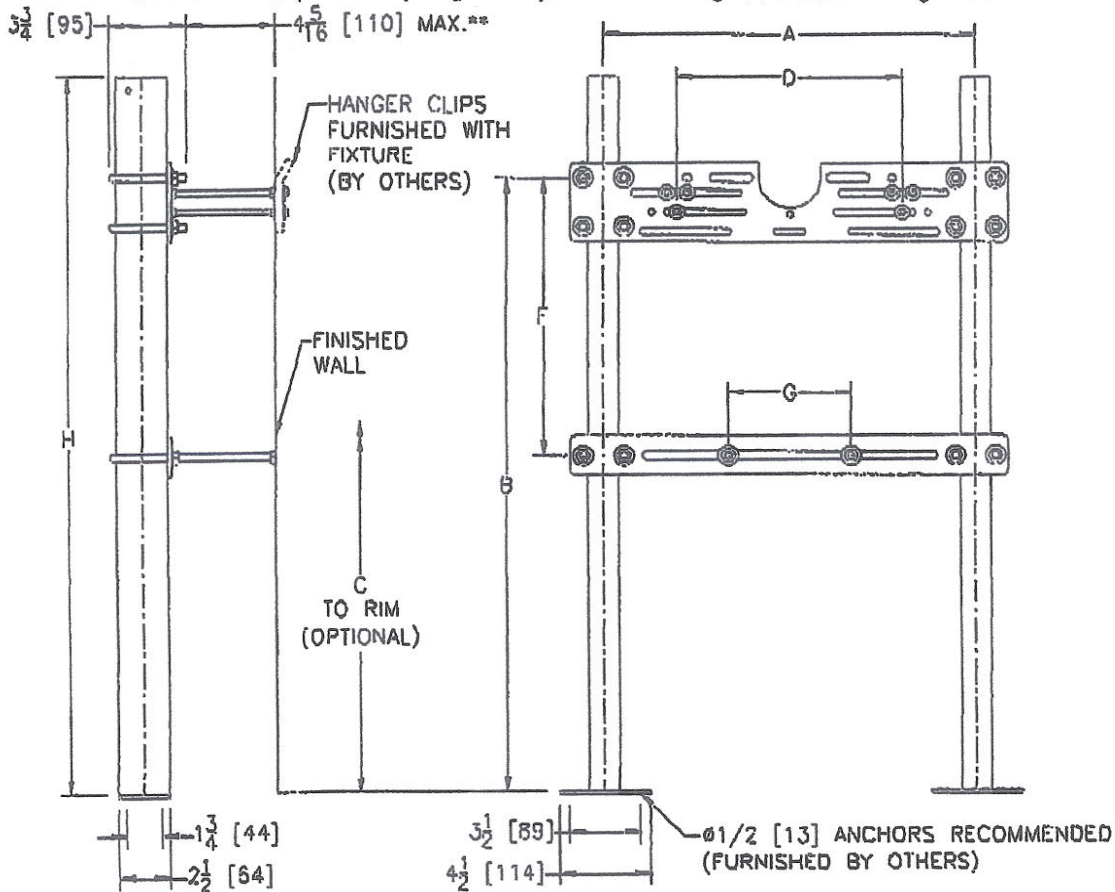




Z1222
PLATE TYPE SYSTEM
WITH BEARING PLATE

SPECIFICATION SHEET
TAG _____

Dimensional Data (inches and [mm]) are Subject to Manufacturing Tolerances and Change Without Notice



**WITH STANDARD STUD LENGTH OF 6 [152].

Product No.	Approx. Wt. Lbs. [kg]
Z1222	54 [24]

ENGINEERING SPECIFICATION: ZURN Z1222 Wall urinal support system

Complete with Dura-Coated carbon structural steel rectangular tubing uprights, conforming to ASTM A500 Grade C, with welded base feet having slotted floor anchor holes. Lower bearing plate is vertically adjustable with slot to accommodate bearing jack placement. Upper Universal hanger plate is pre-notched for back spud inlet and is designed for various hardware positions and fixtures. Includes mounting fasteners and hardware. Carrier system exceeds load and deflection requirements as outlined in ASME Standard A112.6.1M.

OPTIONS (Check/specify appropriate options)

PREFIXES

___ Z Dura-Coated System with Universal Plate*

SUFFIXES

- ___ -CB Carrier Bank
- ___ -CU Floor to ceiling upright
- ___ -D Back to Back System
- ___ -EZ Easy to Install Assembly (Uprights, bearing plate, and hanger plate are factory assembled)
- ___ -SL Stud Length Greater Than 6 [152] (Specify Length)
- ___ -UA Urinal Adapter
- ___ -58 Flush Valve Supply Support

Note: Dimensional data for letter dimensions depends upon fixture type and manufacturer. See Zurn Carrier/Fixture Rough-In Information at www.zurn.com for specific rough-in dimensions.

*REGULARLY FURNISHED UNLESS OTHERWISE SPECIFIED

REV. F	DATE: 8/24/10	C.N. NO. 111591
DWG. NO. 58850	PRODUCT NO. Z1222	

KOHLER®

PENNINGTON®

COUNTERTOP BATHROOM SINK K-2196

ADA CSA B651 OBC

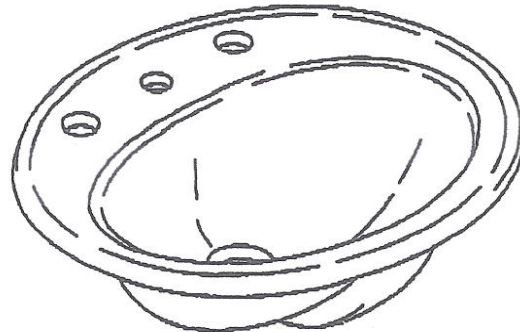
Features

- Vitreous china
- Drop-in
- Single-hole
- ADA compliant when installed in a 21" (533 mm) minimum depth countertop
- Optional soap dispenser hole on left (-L) or right (-R)
- With or without overflow
- 20-1/4" (514 mm) x 17-1/2" (445 mm)

Codes/Standards Applicable

Specified model meets or exceeds the following:

- ADA
- ICC/ANSI A117.1
- CSA B651
- OBC
- ASME A112.19.2/CSA B45.1



K21961WH

Colors/Finishes

- 0: White
- Other: Refer to Price Book for additional colors/finishes

Accessories

- CP: Polished Chrome

Specified Model

Model	Description	Colors/Finishes	
K-2196-1N	Single-hole drilling; less overflow	<input type="checkbox"/> 0	<input type="checkbox"/> Other _____
K-2196-1K	Single-hole drilling; less overflow; with soap dispenser hole on right	<input type="checkbox"/> 0	<input type="checkbox"/> Other _____
K-2196-1F	Single-hole drilling; less overflow; with soap dispenser hole on left	<input type="checkbox"/> 0	<input type="checkbox"/> Other _____
K-2196-1	Single-hole drilling; with overflow; less soap dispenser hole	<input type="checkbox"/> 0	<input type="checkbox"/> Other _____
K-2196-1L	Single-hole drilling; with overflow; with soap dispenser hole on left	<input type="checkbox"/> 0	<input type="checkbox"/> Other _____
K-2196-1R	Single-hole drilling; with overflow; with soap dispenser hole on right	<input type="checkbox"/> 0	<input type="checkbox"/> Other _____
Recommended Accessories			
K-8998	P-Trap	<input type="checkbox"/> CP	

Product Specification

The drop-in bathroom sink shall be made of vitreous china. Bathroom sink shall be 20-1/4" (514 mm) in length, and 17-1/2" (445 mm) in width. Bathroom sink shall have single-hole drilling (-1). Bathroom sink shall be ADA compliant when installed in a 21" (533 mm) minimum depth countertop. Bathroom sink shall feature optional soap dispenser hole (-L, left or -R, right). Bathroom sink shall be Kohler Model K-2196-_____.

PENNINGTON®

Technical Information

Fixture*:	
Basin area	16" (406 mm) x 11" (279 mm)
Water depth	4" (102 mm)
Drain hole	Ø 1-3/4" (44 mm)
*Approximate measurements for comparison only.	
Holes	
Spout	Ø 1-3/8" (35 mm)
Soap dispenser	Ø 1-1/4" (32 mm)
Included components:	
Cut-out template	1002970-7

Installation Notes

Install this product according to the installation guide.

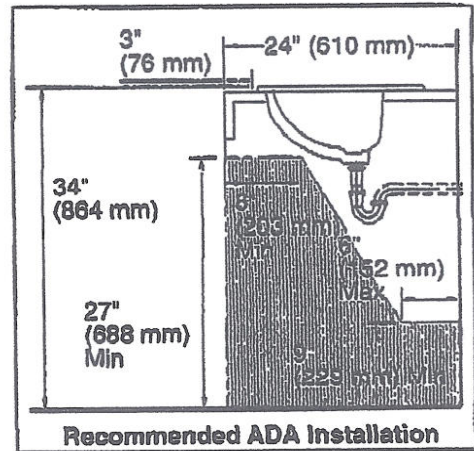
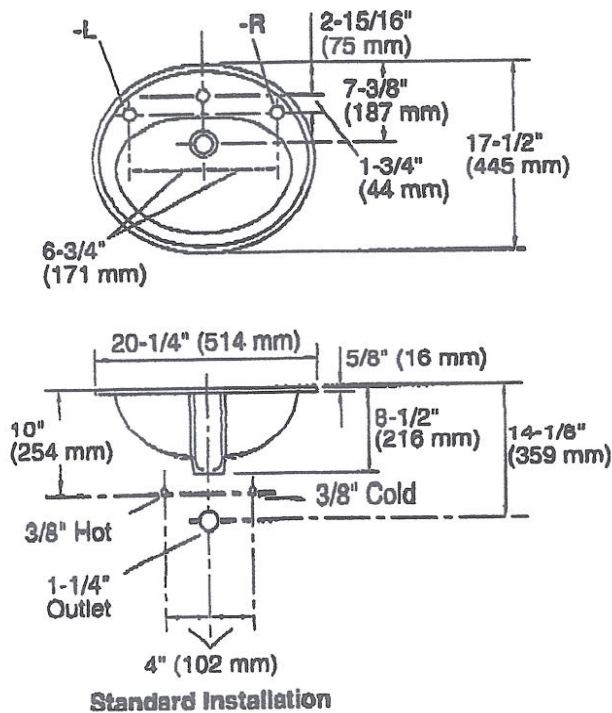
NOTICE: Countertop manufacturer or cutter must use the cutout template provided with the product, or a current one provided by Kohler Co. (call 1-800-4KOHLER). Kohler Co. is not responsible for cutout errors when the incorrect cutout template is used.

Will comply with ADA when installed per Section 606 Lavatories of the Act.

Will comply with CSA B651 when installed per Clause 4.3.3 of the standard.

Will comply with OBC when installed per Clause 3.6.3.11.

K21961WH



Product Diagram



4700 W. 160th St.
Cleveland, Ohio 44135
Ph: (800) 321-9532
Fax: (800) 321-9535
www.oatey.com

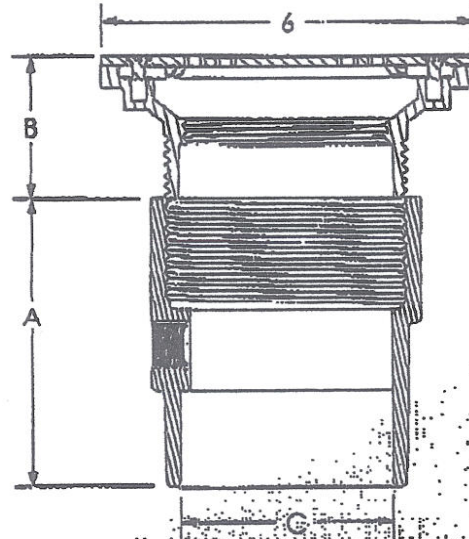
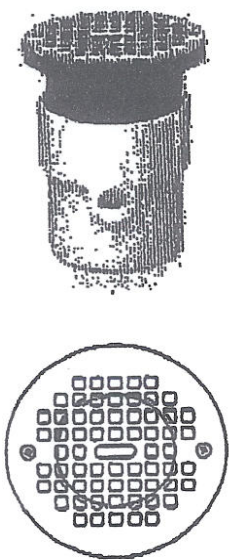
72000 Series
PVC Adjustable General Purpose Drain
PVC Barrel With 6" Round Grate



SUBMITTAL SPECIFICATION

Engineering Specification: Oatey adjustable general purpose floor drains are used for general service in restaurants, restrooms and other commercial applications where traffic is expected. Barrel assembly is completely adjustable to meet the finished floor height.

Job Reference



(All dimensions in inches)

- Barrel diameter is 3-1/2 in. IPS thread.
- Primer tap knock-out is 1/2 in. NPT thread.

✓	Socket Size (C)	Base Material	Grate Finish	Part Number
	3 or 4 in. Pipe Fit	PVC	Stainless	72117
	3 or 4 in. Pipe Fit	PVC	Brass	72127
	3 or 4 in. Pipe Fit	PVC	Nickel	72157
	3 or 4 in. Pipe Fit	PVC	Chrome	72187
	4 in. Pipe Fit	PVC	Stainless	72118
	4 in. Pipe Fit	PVC	Brass	72128
	4 in. Pipe Fit	PVC	Nickel	72158
	4 in. Pipe Fit	PVC	Chrome	72188
	4 in. Hub Fit	PVC	Stainless	72119
	4 in. Hub Fit	PVC	Brass	72129
	4 in. Hub Fit	PVC	Nickel	72159
	4 in. Hub Fit	PVC	Chrome	72189

	Dimensional Data		
	A	B	C
3 in.	4.75 in.	1.00 - 2.50 in.	3 in. Hub, 4 in. Pipe
4 in.	5.00 in.	1.00 - 2.50 in.	4 in. Pipe
4 in.	2.00 in.	1.00 - 2.50 in.	4 in. Hub

Grate Properties		
Finish	Open Area	Load*
300-Series Stainless Steel	7.10 in. ²	Light
Brass	7.10 in. ²	Medium
Nickel	7.10 in. ²	Medium
Chrome	7.10 in. ²	Medium

Primer tap knock-out option available on 3" or 4" Pipe Fit and 4" Pipe Fit bases. 4" Hub Fit base does not include primer tap.

*Load is defined by ASME A112.21.1M.
Light Duty - Safe live load under 2000 lbs.
Medium Duty - Safe live load between 2000 lbs. and 4999 lbs.

Units subject to manufacturing tolerances

All PVC Base Dimensions and Materials meet ASTM D2665.

Visit www.oatey.com for updates.



Rev. 2/02

70007



4700 W. 160th St.
Cleveland, Ohio 44135
Ph: (800) 321-9532
Fax: (800) 321-9535
www.oatey.com

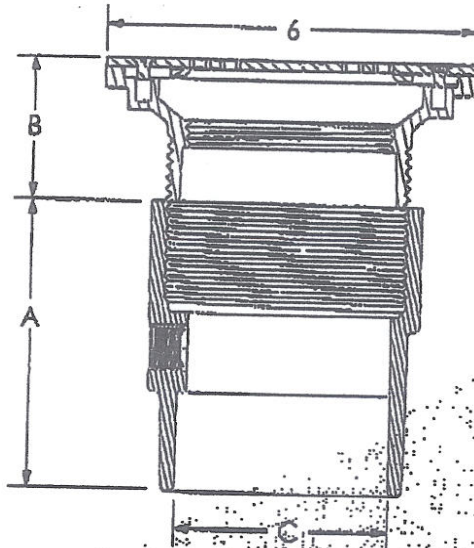
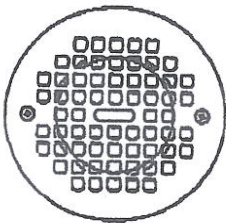
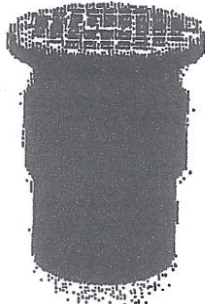
82000 Series
ABS Adjustable General Purpose Drain
PVC Barrel With 6" Round Grate



SUBMITTAL SPECIFICATION

Engineering Specification: Oatey adjustable general purpose floor drains are used for general service in restaurants, restrooms and other commercial applications where traffic is expected. Barrel assembly is completely adjustable to meet the finished floor height.

Job Reference



(All dimensions in inches)

Barrel diameter is 3-1/2 in. IPS thread.

Primer tap knock-out is 1/2 in. FN thread.

Dimensional Data

	A	B	C
3 in.	4.75 in.	1.00 - 2.50 in.	3 in. Hub, 4 in. Pipe
4 in.	5.00 in.	1.00 - 2.50 in.	4 in. Pipe
4 in.	2.00 in.	1.00 - 2.50 in.	4 in. Hub

Grate Properties

Finish	Open Area	Load*
300 Series Stainless Steel	7.10 in. ²	Light
Brass	7.10 in. ²	Medium
Nickel	7.10 in. ²	Medium
Chrome	7.10 in. ²	Medium

*Load is defined by ASME A112.21.1M.

Light Duty - Safe live load under 2000 lbs.

Medium Duty - Safe live load between 2000 lbs. and 4999 lbs.

✓	Socket Size (C)	Base Material	Grate Finish	Part Number
	3 or 4 in. Pipe Fit	ABS	Stainless	82117
	3 or 4 in. Pipe Fit	ABS	Brass	82127
	3 or 4 in. Pipe Fit	ABS	Nickel	82157
	3 or 4 in. Pipe Fit	ABS	Chrome	82167
	4 in. Pipe Fit	ABS	Stainless	82118
	4 in. Pipe Fit	ABS	Brass	82128
	4 in. Pipe Fit	ABS	Nickel	82158
	4 in. Pipe Fit	ABS	Chrome	82168
	4 in. Hub Fit	ABS	Stainless	82119
	4 in. Hub Fit	ABS	Brass	82129
	4 in. Hub Fit	ABS	Nickel	82159
	4 in. Hub Fit	ABS	Chrome	82169

Primer tap knock-out option available on 3" or 4" Pipe Fit and 4" Pipe Fit bases. 4" Hub Fit base does not include primer tap.

70007



Oatey



Product No.	Size	Description	U.P.C. Code	Carton Quantity	Ctn. Wt.
PLASTIC ADJUSTABLE BARRELS WITH GRATES					
72010	5"	SS Grate & Plastic Barrel	038753-720104	1	2
72020	5"	Round BR Grate & Plastic Barrel	038753-720203	1	2
72030	5"	Round BR Grate & Ring & Plastic Barrel	038753-720302	1	2
72040	5"	Round BR Grate & Square Ring & Plastic Barrel	038753-720401	1	2
72050	5"	Round NI Grate & Plastic Barrel	038753-720500	1	2
72060	5"	Round NI Grate & Ring & Plastic Barrel	038753-720609	1	2
72070	5"	Round NI Grate & Square Ring & Plastic Barrel	038753-720708	1	2
72080	5"	Round CHR Grate & Plastic Barrel	038753-720807	1	2
72090	5"	Round CHR Grate & Ring & Plastic Barrel	038753-720906	1	2
72100	5"	Round CHR Grate & Square Ring & Plastic Barrel	038753-721002	1	2
72110	6"	SS Grate & Plastic Barrel	038753-721101	1	2
72120	6"	Round BR Grate & Plastic Barrel	038753-721200	1	2
72130	6"	Round BR Grate & Ring & Plastic Barrel	038753-721309	1	2
72140	6"	Round BR Grate & Square Ring & Plastic Barrel	038753-721408	1	2
72150	6"	Round NI Grate & Plastic Barrel	038753-721507	1	2
72160	6"	Round NI Grate & Ring & Plastic Barrel	038753-721606	1	1
72170	6"	Round NI Grate & Square Ring & Plastic Barrel	038753-721705	1	1
72180	6"	Round CHR Grate & Plastic Barrel	038753-721804	1	1
72190	6"	Round CHR Grate & Ring & Plastic Barrel	038753-721903	1	1
72200	6"	Round CHR Grate & Square Ring & Plastic Barrel	038753-722009	1	1

72160

VANDALPROOF SCREWS

81940	3/8"	10 x 24 Stainless Steel Vandal Proof Screw	038753-819402	10	.10
81950	3/8"	10 x 24 Brass Vandal Proof Screw	038753-819501	10	.10

CAST ADJUSTABLE BARRELS WITH GRATES

82210	4"	Cast NI Square Barrel & Square NI Grate	038753-822105	1	4
82220	4"	Cast CHR Square Barrel & Square CHR Grate	038753-822204	1	4
82230	5"	Cast NI Square Barrel & Square NI Grate	038753-822303	1	4
82240	5"	Cast CHR Square Barrel & Square CHR Grate	038753-822402	1	4
82250	6"	Cast NI Square Barrel & Square NI Grate	038753-822501	1	4
82260	6"	Cast CHR Square Barrel & Square CHR Grate	038753-822600	1	4
82270	5"	Cast NI Square Barrel & Round NI Grate	038753-822709	1	4
82280	5"	Cast CHR Square Barrel & Round CHR Grate	038753-822808	1	4
82290	6"	Cast NI Square Barrel & Round NI Grate	038753-822907	1	4
82300	6"	Cast CHR Square Barrel & Round CHR Grate	038753-823003	1	4
82310	5"	Cast NI Round Barrel & Round NI Grate	038753-823102	1	4
82320	5"	Cast CHR Round Barrel & Round CHR Grate	038753-823201	1	4
82330	6"	Cast NI Round Barrel & Round NI Grate	038753-823300	1	4
82340	6"	Cast CHR Round Barrel & Round CHR Grate	038753-823409	1	4
82350	8"	Cast NI Round Barrel & Round NI Grate	038753-823508	1	4
82360	8"	Cast CHR Round Barrel & Round CHR Grate	038753-823607	1	4
82370	10"	Cast NI Round Barrel & Round NI Grate	038753-823706	1	4
82380	10"	Cast CHR Round Barrel & Round CHR Grate	038753-823805	1	4



Category 10 Commercial Drainage

10

SS - Stainless Steel BR - Bronze NI - Nickel CHR - Chrome

ES-009

For Health Hazard Applications

Job Name _____
 Job Location _____
 Engineer _____
 Approval _____

Contractor _____
 Approval _____
 Contractor's P.O. No. _____
 Representative _____

Series 009 Reduced Pressure Zone Assemblies

Sizes: 1/4" - 2"

Series 009 Reduced Pressure Zone Assemblies are designed to protect potable water supplies in accordance with national plumbing codes and water authority requirements. This series is designed to protect drinking water supplies from dangerous cross-connections in accordance with national plumbing codes and water authority requirements for non-potable service applications such as irrigation, fireline, or industrial processing.

This series features two in-line, independent check valves, captured springs and replaceable check seats with an intermediate relief valve. Its compact modular design facilitates easy maintenance and assembly access. Sizes 1/4" - 1" shutoffs have tee handles.

Features

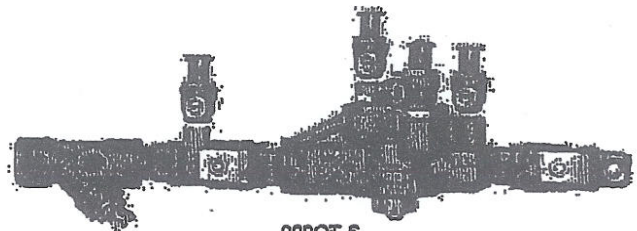
- Single access cover and modular check construction for ease of maintenance
- Top entry - all internals immediately accessible
- Captured springs for safe maintenance
- Internal relief valve for reduced installation clearances
- Replaceable seats for economical repair
- Bronze body construction for durability 1/4" - 2"
- Ball valve test cocks — screwdriver slotted 1/4" - 2"
- Large body passages provides low pressure drop
- Compact, space saving design
- No special tools required for servicing

Specifications

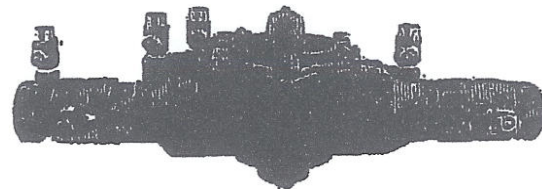
A Reduced Pressure Zone Assembly shall be installed at each potential health hazard location to prevent backflow due to backsiphonage and/or backpressure. The assembly shall consist of an internal pressure differential relief valve located in a zone between two positive seating check modules with captured springs and silicone seat discs. Seats and seat discs shall be replaceable in both check modules and the relief valve. There shall be no threads or screws in the waterway exposed to line fluids. Service of all internal components shall be through a single access bronze cover secured with stainless steel bolts. The assembly shall also include two resilient seated isolation valves, four resilient seated test cocks and an air gap drain fitting. The assembly shall meet the requirements of USC; ASSE Std. 1013; AWWA Std. C511-92; CSA B64.4. Shall be a Watts Series 009.

†Does not indicate approval status. Refer to Page 2 for approved sizes & models.

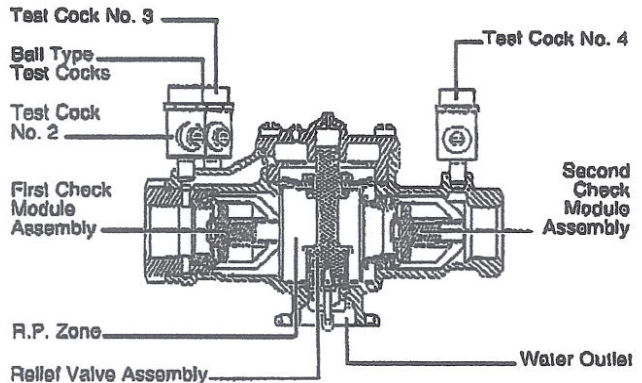
Watts product specifications in U.S. customary units and metric are approximate and are provided for reference only. For precise measurements, please contact Watts Technical Service. Watts reserves the right to change or modify product design, construction, specifications, or materials without prior notice and without incurring any obligation to make such changes and modifications on Watts products previously or subsequently sold.



009QT-S



009M2QT



Now Available
 Watts® Insulated Enclosures
 For more information, send for literature ES-WB

NOTICE
 Inquire with governing authorities for local installation requirements



Available Models: 1/4" - 2"

Suffix:

- QT - quarter-turn ball valves
- S - bronze strainer
- LF - without shutoff valves
- AQT - elbow fittings for 360° rotation
3/4" - 2" only
- PC - internal Polymer Coating
- SH - stainless steel ball valve handles
- HC - 2 1/2" inlet/outlet fire hydrant fitting (2" valve)

Prefix:

- C - clean and check strainer
3/4" - 1" only
- U - union connections (see ES-U009)

Materials: 1/4" - 2"

Bronze body construction, silicone rubber disc material in the first and second check plus the relief valve. Replaceable polymer check seats for first and second checks. Removable stainless steel relief valve seat. Stainless steel cover bolts.

Standardly furnished with NPT body connections. For optional bronze union inlet and outlet connections, specify prefix U (1/2" - 2"). Series 009QT furnished with quarter turn, full port, resilient seated, bronze ball valve shutoffs.

Pressure / Temperature

Series 009 1/4" - 2" Suitable for supply pressure up to 175psi (12.1 bar). Water temperature: 33°F - 180°F (0.6°C - 75°C).

Standards

- USC
- ASSE No. 1013
- AWWA C511-92
- CSA B64.4
- IAPMO File No. 1563.

†Does not indicate approval status. See below for approved models.



Approvals

ASSE, AWWA, CSA, IAPMO

Approved by the Foundation for Cross-Connection Control and Hydraulic Research at the University of Southern California.

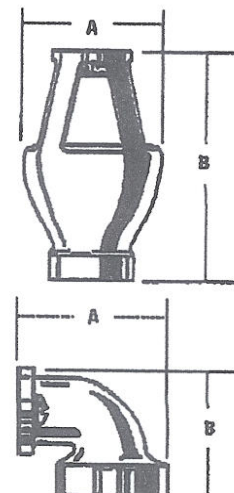
UL Classified 3/4" - 2"

(LF models only except 009M3LF)

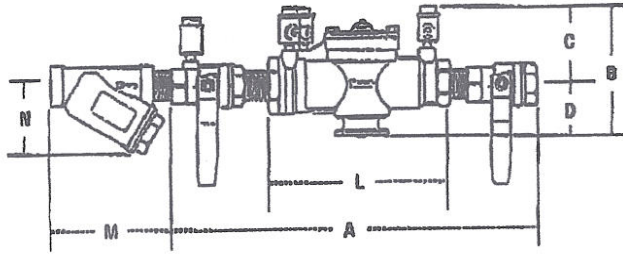
Air Gaps and Elbows

MODEL	DRAIN OUTLET	DIMENSIONS						WEIGHT	
		for 800, 000 and 909 sizes		A		B		lbs.	kg.
		in.	mm	in.	mm	in.	mm		
009AGA	1/4"-1/2" 009, 3/4" 009M2/M3	1/2	13	2 3/4	60	3 1/4	79	0.625	0.28
909AGC	3/4"-1" 009/909, 1"-1 1/2" 009M2	1	25	3 1/4	83	4 1/4	124	1.5	0.68
909AGF	1 1/4"-2" 009M1, 1 1/2"-3" 009/909, 2" 009M2, 4"-6" 993	2	51	4 3/4	111	6 3/4	171	3.25	1.47
909AGK	4"-6" 909, 8"-10" 909M1	3	76	6 3/4	162	9 1/4	244	8.25	2.83
909AGM	8"-10" 909	4	102	7 3/4	187	11 1/4	288	15.5	7.03
909ELA	1/2"-1/2" 009, 3/4" 009M2/M3	-	-	-	-	-	-	-	-
909ELC	3/4"-1" 009/909	-	-	2 3/4	60	2 3/4	60	0.36	0.17
* 909ELF	1 1/4"-2" 009M1, 1 1/2"-2" 009/909, 2" 009M2, 4"-6" 993	-	-	3 3/4	92	3 3/4	92	2	0.91
* 909ELH Vertical	2 1/4"-3" 009/909	-	-	-	-	-	-	-	-

* Epoxy coated



Dimensions and Weight: 1/4" - 2" 009



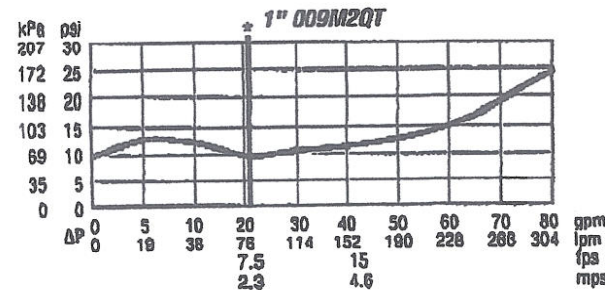
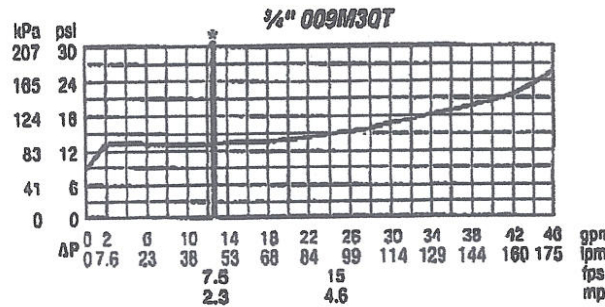
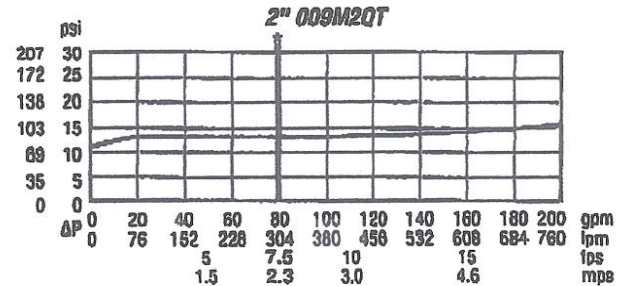
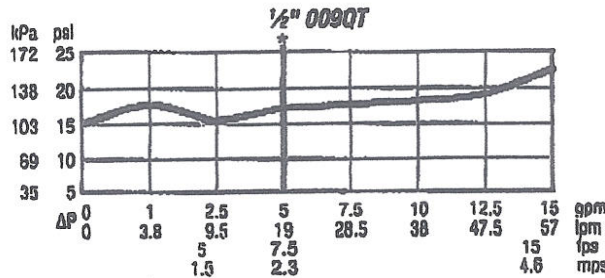
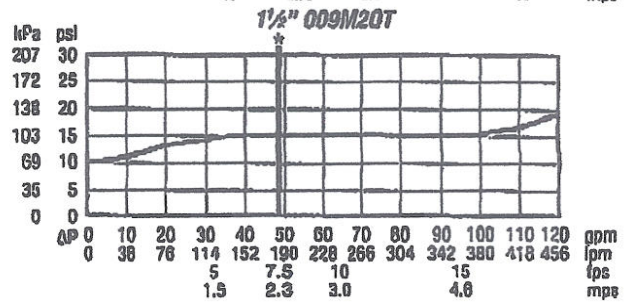
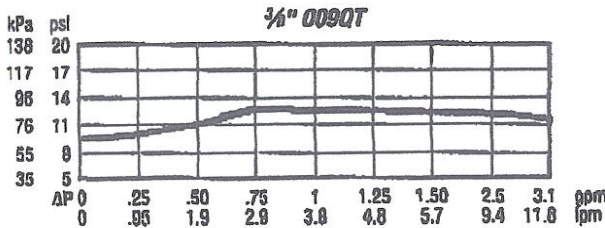
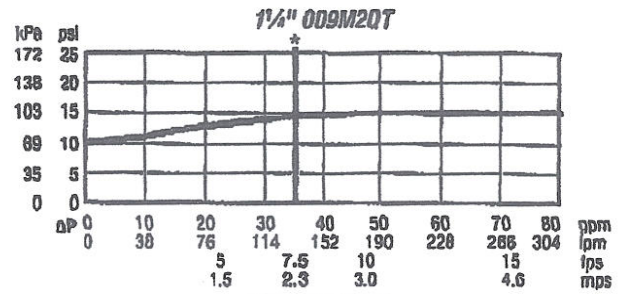
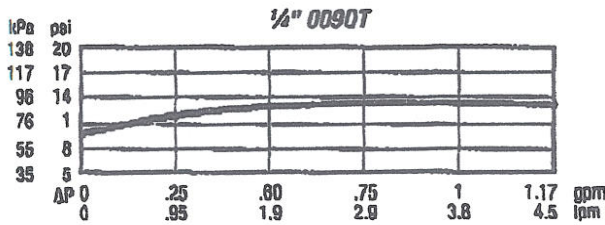
009 1/4" - 2"

SIZE		DIMENSIONS (APPROX.)								STRAINER DIMENSIONS				WEIGHT			
in.		A		B		C		D		L		M		N		lbs.	kgs.
		in.	mm	in.	mm	in.	mm	in.	mm	in.	mm	in.	mm	in.	mm		
1/4		10	250	4 5/8	117	3 3/8	86	1 1/4	32	5 1/2	140	2 3/4	60	2 1/2	64	5	2
3/8		10	250	4 5/8	117	3 3/8	86	1 1/4	32	5 1/2	140	2 3/4	60	2 1/2	64	5	2
1/2		10	250	4 5/8	117	3 3/8	86	1 1/4	32	5 1/2	140	2 3/4	70	2 1/4	57	5	2
3/4		10 3/4	273	5	127	3 1/2	89	1 1/2	38	6 1/4	171	3 3/16	81	2 3/4	70	6	3
1		14 1/2	368	5 1/2	140	3	76	2 1/2	64	9 1/2	241	3 3/4	95	3	76	12	5
1 1/4		17 3/8	441	6	150	3 1/2	89	2 1/2	64	11 3/8	289	4 7/16	113	3 1/4	89	15	6
1 1/2		17 3/4	454	6	150	3 1/2	89	2 1/2	64	11 1/2	283	4 7/8	124	4	102	16	7
2		21 3/8	543	7 3/4	197	4 1/2	114	3 1/4	83	13 1/2	343	5 15/16	151	5	127	30	13

Suffix HC - Fire Hydrant Fittings dimension 'A' = 25"

Capacity

Performance as established by an independent testing laboratory. *Typical maximum system flow rate (7.5 feet/sec., 2.3 meters/sec.)



A Watts Water Technologies Company



ISO 9001-2008
CERTIFIED

USA: Tel: (978) 688-1811 • Fax: (978) 794-1848 • www.watts.com
Canada: Tel: (905) 332-4090 • Fax: (905) 332-7068 • www.watts.ca



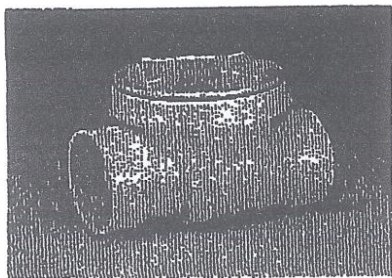
4700 W. 160th St.
Cleveland, OH 44135
PH:800-321-9582
FX:800-321-9535
www.oatey.com

TECHNICAL SPECIFICATION

BACKWATER VALVES



TECHNICAL SPECIFICATION: Oatey Backwater Valves are designed as a sewage check valve to prevent pumped water from flowing back into the basin. Assembly Includes threaded cover to allow for access and valve flapper which seals closed while not in use. Made of PVC or ABS plastic, backwater valve can be solvent welded to piping. Oatey Backwater Valves can accommodate access sleeves made of Schedule 40 pipe.



PHYSICAL/CHEMICAL PROPERTIES

Material/Color ABS Plastic = Black
 PVC Plastic = White

PRODUCT NUMBER	DESCRIPTION	PACK	CARTON WEIGHT
43900	3" PVC Backwater Valve	4	3 lbs.
43901	3" ABS Backwater Valve	4	3 lbs.
43902	3" PVC backwater valve w/ access sleeve	1	8 lbs.
43903	3" ABS backwater valve w/ access sleeve	1	8 lbs.
43904	4" PVC Backwater Valve	2	5 lbs.
43905	4" ABS Backwater Valve	2	5 lbs.
43906	4" PVC backwater valve w/ access sleeve	1	10 lbs.
43907	4" ABS backwater valve w/ access sleeve	1	10 lbs.
43908	6" PVC Backwater Valve	1	11 lbs.
43909	6" ABS Backwater Valve	1	11 lbs.
43915	3" PVC Threaded Cap	1	1 lb.
43916	3" ABS Threaded Cap	1	1 lb.
43918	4" PVC Threaded Cap	1	1 lb.
43919	4" ABS Threaded Cap	1	1 lb.
43921	6" PVC Threaded Cap	1	1 lb.
43922	6" ABS Threaded Cap	1	1 lb.
43924	3" PVC Flapper with O-Ring	1	1 lb.
43925	3" ABS Flapper with O-Ring	1	1 lb.
43927	4" PVC Flapper with O-Ring	1	1 lb.
43928	4" ABS Flapper with O-Ring	1	1 lb.
43929	6" PVC Flapper with O-Ring	1	1 lb.
43930	6" ABS Flapper with O-Ring	1	1 lb.

OAT43904