

Ordering Information

Applicable product:		
4-hole	K-5811-4	shown
3-hole	K-5811-3	not shown
2-hole	K-5811-2	not shown
Accessories/hardware:		
ProAvatar™ faucet	K-6340-BP	recommended

Required Electrical Service

Ground-Fault Circuit-Interrupter (GFCI) protection is recommended. Follow all local electrical codes.	
Junction box	120/240 V., 15 A., 60 Hz, 3-wire with ground.

Product Information

Fixture*:	Outlet	basin area	water depth
Cooking vessel	1" D.	9-1/2" D.	6-1/2 quart
Sink, large	3-7/8" D.	19" x 18"	8-1/2
Faucet and spout holes	1-3/8" D.		

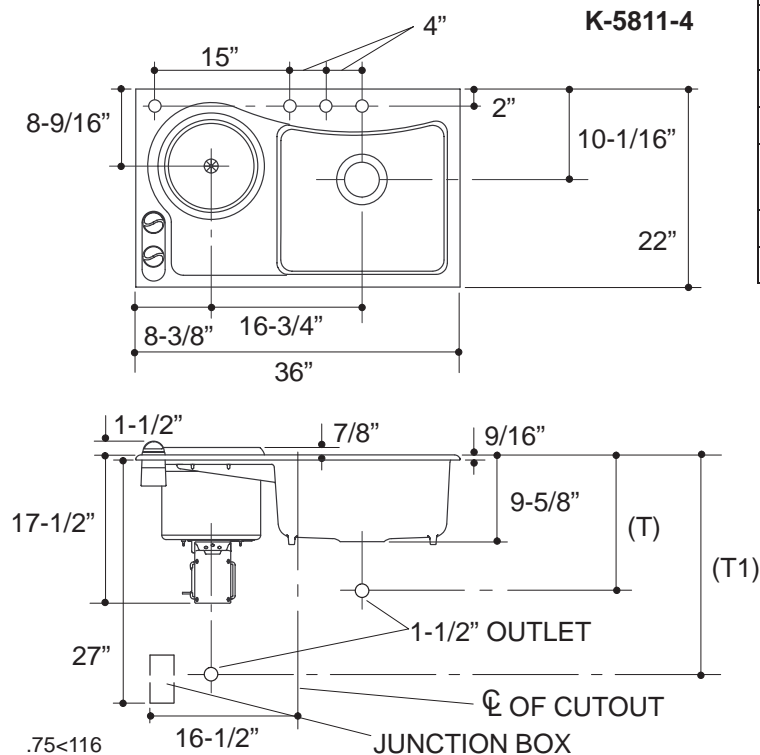
* Approximate measurements for comparison only.

Cooking vessel rating:	120/240V., 2300 W., 60 Hz, 3-wire with ground.
------------------------	--

Included components:	
Cook book	85641
Home owners guide	86565-5
Trim kit	86574
Wire rack	87354
Cutting board	87353
Cookware set	97590

Installation Notes

Refer to installation instructions included with fixture before beginning installation.



Roughing-In Notes

Fixture dimensions are nominal and conform to tolerances in ASME/ANSI Standard A112.19.1M.

(T) Drain 14".

(T1) Drain 21".

Spout must be 9" long (min.) and 13-7/8" high (min.) for adequate clearance into basins.

36" minimum base cabinet required.

Cutout 34-3/4" x 20-3/4" with 1" radius corners.

