

Ordering Information

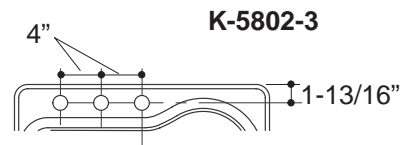
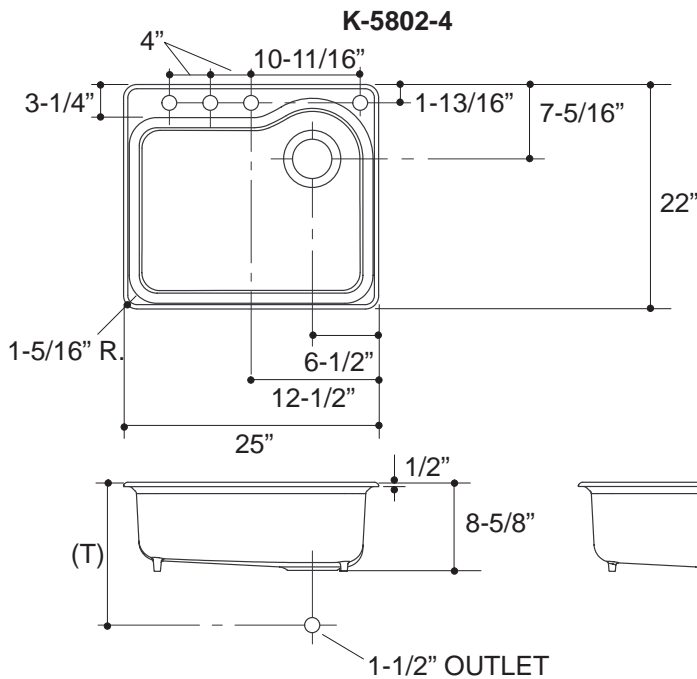
Applicable product:		
Four-hole sink	K-5802-4	shown
Three-hole sink	K-5802-3	not shown
Accessories/hardware:		
Bottom basin rack	K-6018	optional

Product Information

Fixture*:		basin area	water depth
Sink		22" x 18"	8"
Outlet	3-5/8" D.		
Faucet holes	1-3/8" D.		
* Approximate measurements for comparison only.			

Installation Notes

Refer to installation instructions included with fixture before beginning installation.



Roughing-In Notes	
Fixture dimensions are nominal and conform to tolerances in ASME/ANSI Standard A112.19.1M.	
(T) Drain 14".	
Cutout	23-3/4" x 20-3/4" with 1" radius corners.

.85<116