

### Ordering Information

Applicable product:		
Dolce Vita™	K-2815	shown
Vessels™ Dolce Vita™	K-2815-P	not shown
Accessories/hardware:		
Vessels wall-mount bracket	K-9655	optional
P-trap	K-9018	recommended
Drain	K-7702-BA	recommended

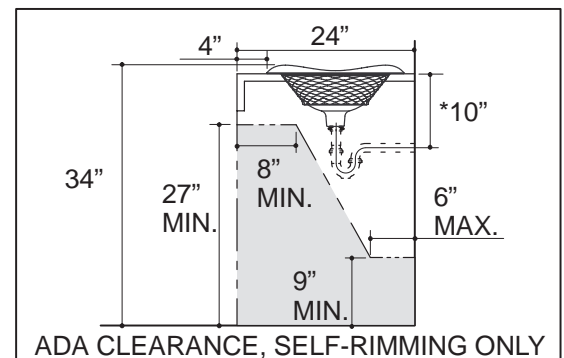
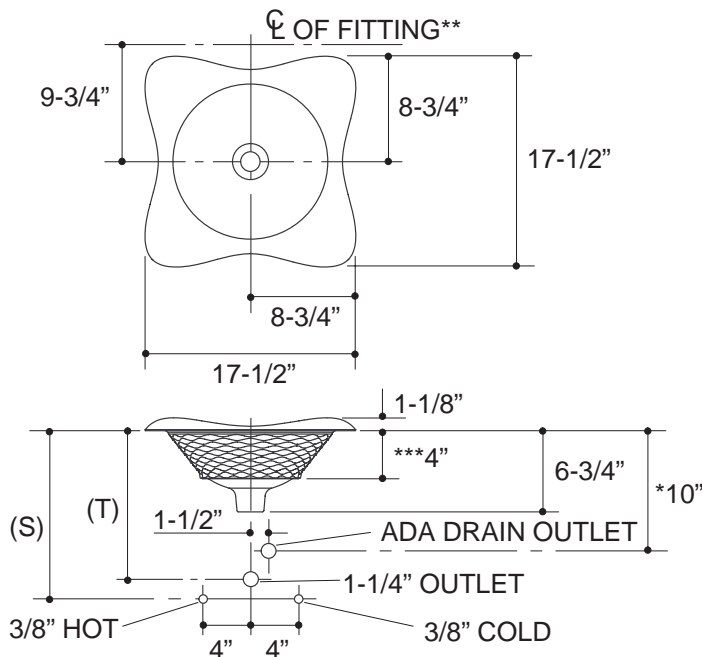
### Product Information

ADA compliant, self-rimming only:			
Fixture*:		basin area	water depth
Lavatory		13" D.	4-3/4"
Outlet	1-3/4" D.		
* Approximate measurements for comparison only.			
Included Components:			
Cutout template			87996-7

### Installation Notes

Refer to installation instructions included with fixture before beginning installation.

Product does not have an overflow.



### Roughing-In Notes

- Fixture dimensions are nominal and conform to tolerances in ASME Standard A112.19.1M.
- (T) Pop-up drain 12-3/8".
- (S) 14" (Based on 12" riser which may require cutting).
- \*Based on K-9018 with 1" of tailpiece exposed.
- \*\*Spout must be 5" long (min.) for adequate clearance into lavatory when installed with centerline as shown.
- \*\*\*Spout must be tall enough to clear 4" rim height and provide a 1" air gap per ASME A112.1.2.