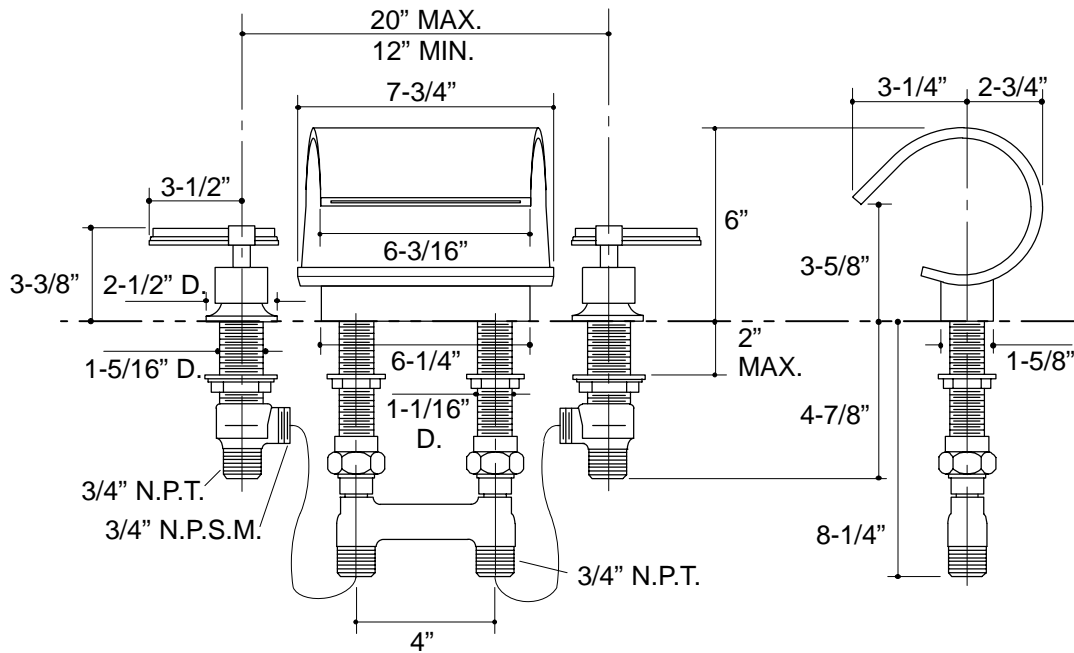


**Ordering Information**

Applicable faucet:	
Lever handles	K-7909-4
<b>ADA</b> Lever handles are ADA compliant	



.75<18

**K-7909** Cirrus™ Bath Faucet  
100359-1-BA (-)

**NOTES:**