

**Ordering Information**

Accessories/hardware:		
Bottom basin rack	K-3192	optional
Wire rinse basket	K-3277	optional
Hardwood cutting board	K-3294	optional
Duostrainer® sink strainer	K-8801	optional
Stainless steel sink strainer	K-8813	optional
Stainless steel sink strainer	K-8814	optional

**Product Information**

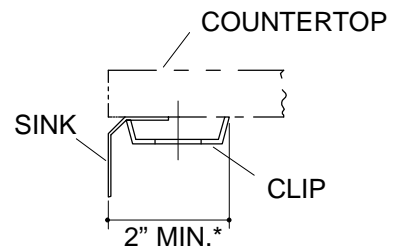
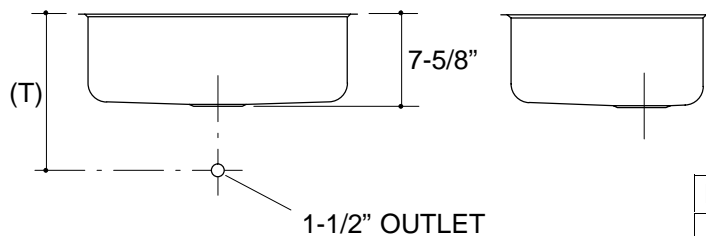
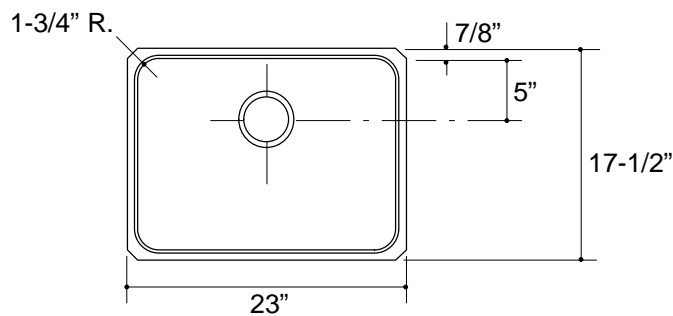
Fixture*:		basin area	water depth
Sink		21" x 16"	7-1/2"
Outlet	3-5/8" D.		
Faucet holes	1-3/8" D.		

\* Approximate measurements for comparison only.

Included Components:	
Hardware kit	91915
Cutout template	113193

**Installation Notes**

Refer to installation instructions included with fixture before beginning installation.



**Roughing-In Notes**

Fixture dimensions are nominal and conform to tolerances in ASME/ANSI Standard A112.19.3M.

(T) Drain typically 13".

\*Allow clearance around sink rim for clip attachment.