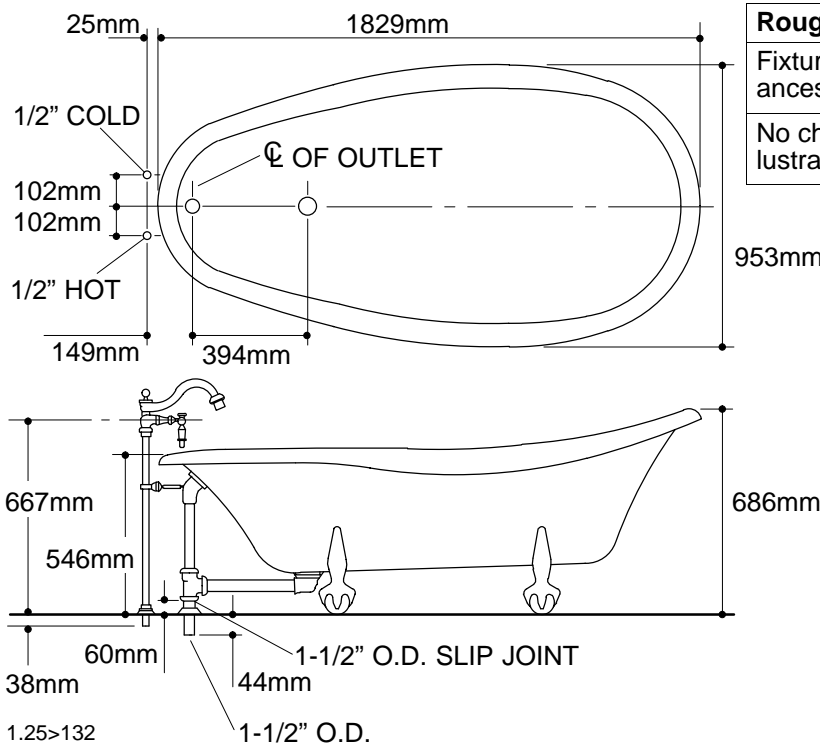


### Ordering Information

Accessories/hardware:		
Antique ball and claw legs	K-102	required*
Antique bath drain	K-106	required*
Bath faucet	K-104	required*
Riser tubes, connections	K-127	required*
* Required for configuration illustrated.		

### Product Information

Fixture*:	basin area	top area	weight
Bathing well	1092 x 533mm	1702 x 787mm	195 Kg.
	water depth	capacity	
To overflow	283mm	189 litres	
* Approximate measurements for comparison only.			



**Roughing-In Notes**

Fixture dimensions are nominal and conform to tolerances in ANSI Standard A112.19.1.

No change in measurements if connected with drain illustrated.



**K-100 Birthday<sup>™</sup> Bath**  
105000-1M-AA (9631)