

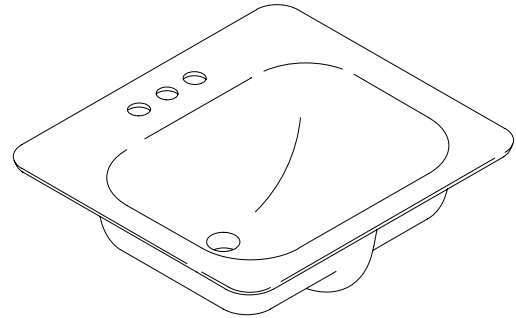
COUNTERTOP LAVATORY

K-2895

ADA

FEATURES

- 21" x 19"
- Cast iron
- Self-rimming
- 4" centers (K-2895-4), 8" centers (K-2895-8), or single-hole (K-2895-1) drilling
- With overflow



CODES/STANDARDS APPLICABLE

Specified model meets or exceeds the following:

- ADA
- ASME/ANSI A112.19.1M
- CABO/ANSI A117.1
- IAPMO/UPC
- Canadian Standards Association (CSA)

COLORS/FINISHES

- 0 White
- Other Refer to Fixtures Price Book for additional colors

Accessories:

- CP Polished Chrome
- Other Refer to Faucets Price Book for additional finishes

SPECIFIED MODEL:

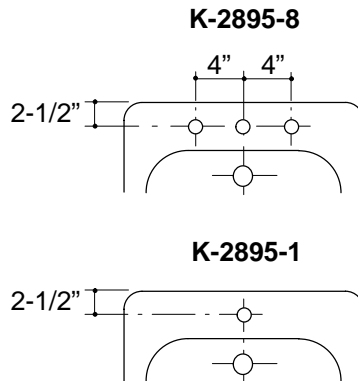
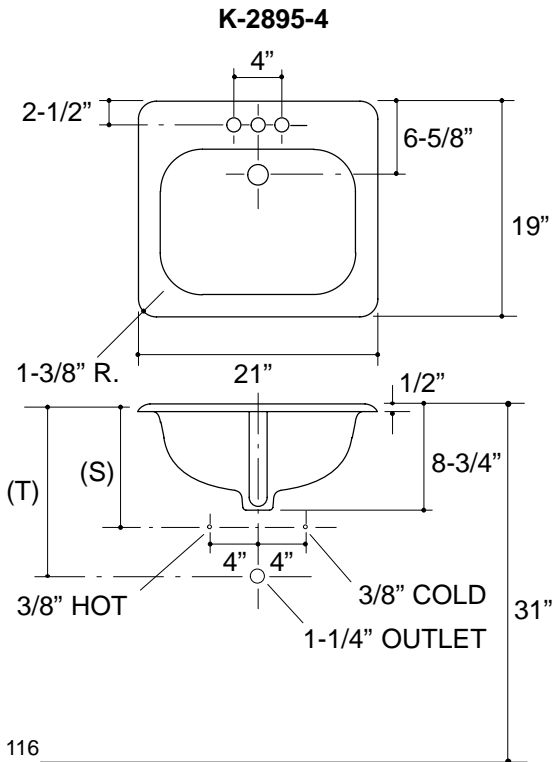
Model	Description	Colors/Finishes	
		<input type="checkbox"/> 0 White	<input type="checkbox"/> Other_____
K-2895-4	4" centers lavatory	<input type="checkbox"/> 0 White	<input type="checkbox"/> Other_____
K-2895-8	8" centers lavatory	<input type="checkbox"/> 0 White	<input type="checkbox"/> Other_____
K-2895-1	Single-hole lavatory	<input type="checkbox"/> 0 White	<input type="checkbox"/> Other_____
Recommended Accessories			
K-8998	Trap	<input type="checkbox"/> CP	<input type="checkbox"/> Other_____

PRODUCT SPECIFICATION:

The self-rimming lavatory shall be 21" in length, and 19" in width. Lavatory shall be made of cast iron. Lavatory shall have 4" centers (K-2895-4), 8" centers (K-2895-8), or single-hole (K-2895-1) drilling. Lavatory shall have overflow. Lavatory shall be Kohler Model K-2895-_____ - _____.

PRODUCT INFORMATION

Fixture*:		basin area	water depth
Lavatory		16" x 12"	5"
Outlet	1-11/16" D.		
* Approximate measurements for comparison only.			
Holes	K-2895-4	K-2895-8	K-2895-1
Spout	1-1/8" D.	1-1/8" D.	1-3/8" D.
Faucet	1-3/16" D.	1-5/16" D.	
Included Components:			
Overflow ferrule (1)			44071
Cutout template			116586-7



Roughing-In Notes

Fixture dimensions are nominal and conform to tolerances in ASME/ANSI Standard A112.19.1M.

Cutout 19-3/4" x 17-3/4" with 1" radius corners.

(T) Pop-up drain 14-3/16", drain 13-5/16"

Supply (Based on 12" riser which may require cutting).	K-2895-4 K-2895-1	K-2895-8
(S)	10"	14"

116

PRODUCT DIAGRAM