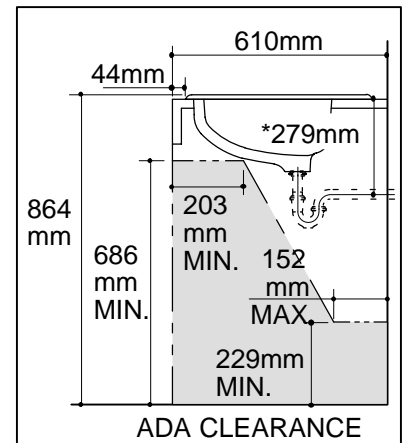
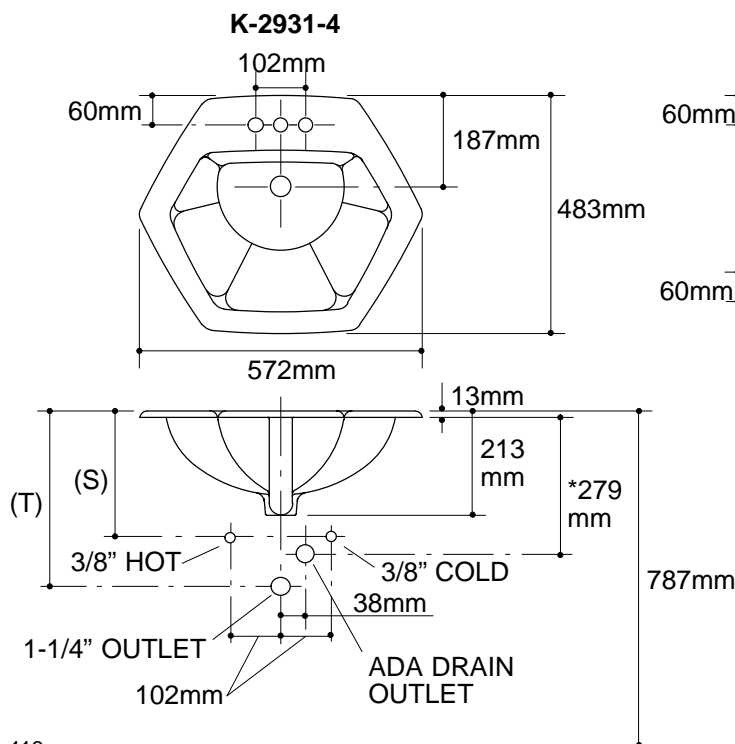


Ordering Information

Applicable product:		
102mm centers lavatory	K-2931-4	shown
203mm centers lavatory	K-2931-8	not shown
Single-hole lavatory	K-2931-1	not shown
Accessories/hardware		
P-Trap	K-8998	optional

Product Information

ADA compliant.			
Fixture*:		basin area	water depth
Lavatory		457 x 330mm	121mm
Outlet	Ø43mm		
* Approximate measurements for comparison only.			
Holes	K-2931-4	K-2931-8	K-2931-1
Spout	Ø29mm	Ø29mm	Ø35mm
Faucet	Ø30mm	Ø33mm	
Included Components:			
Overflow ferrule			44071
Cutout template			101086



Roughing-In Notes

Fixture dimensions are nominal and conform to tolerances in ASME/ANSI Standard A112.19.1M.

*Based on K-8998, with 25mm of tailpiece exposed.

(T) Pop-up drain 356mm, grid drain 333mm.

(S) 254mm (Based on 305mm riser which may require cutting).