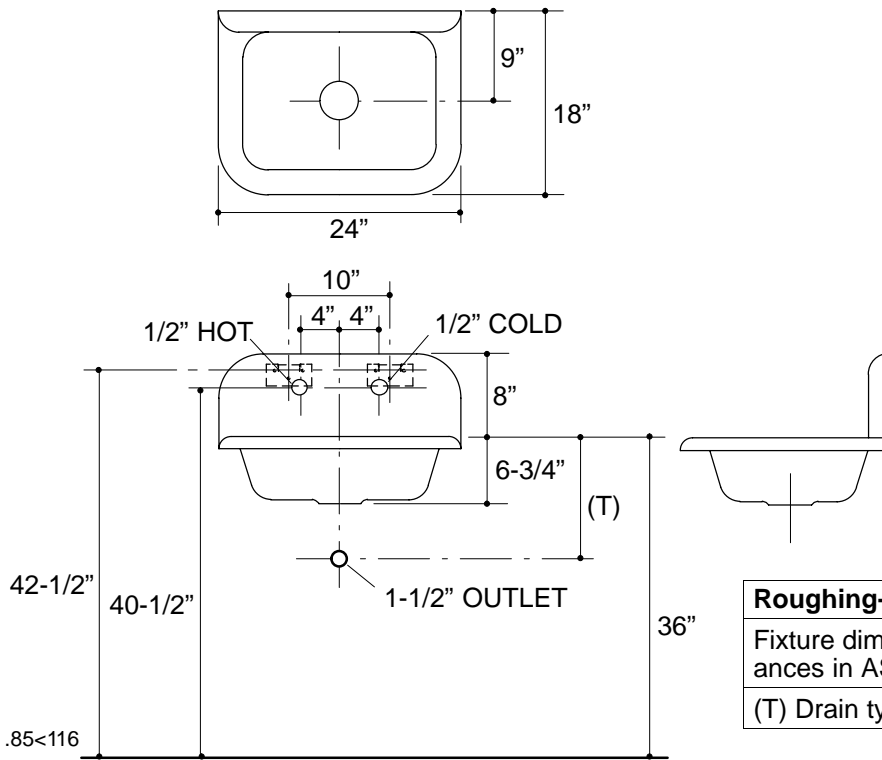


**Product Information**

Fixture*:		basin area	water depth
Sink		19" x 14"	6"
Outlet	3-5/8" D.		
Faucet holes	1-1/2" D.		
* Approximate measurements for comparison only.			
Included Components:			
Hangers (pr.)		64505	



**Roughing-In Notes**  
 Fixture dimensions are nominal and conform to tolerances in ASME/ANSI Standard A112.19.1M.  
 (T) Drain typically 12-1/8".