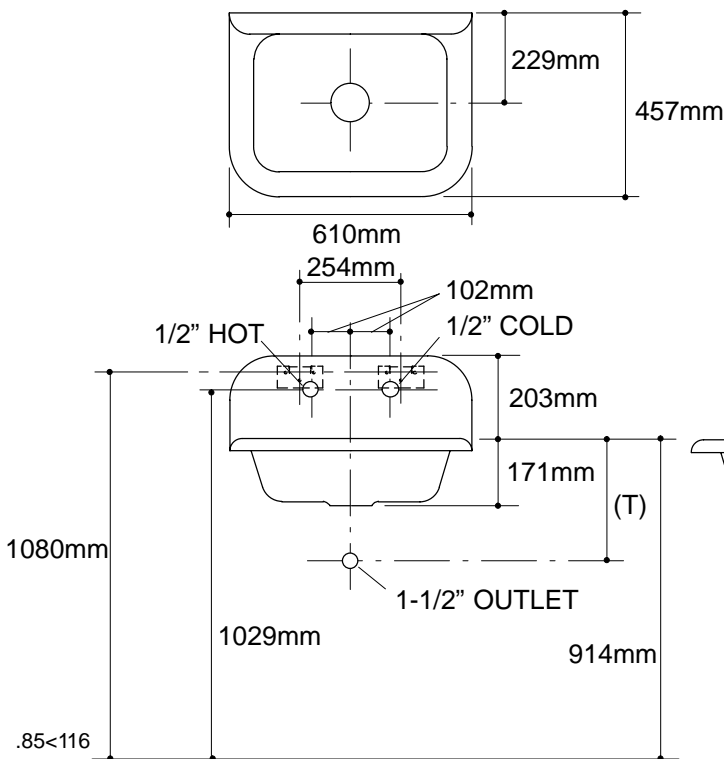


# KOHLER<sup>®</sup> Roughing-In

## K-5980 SUTTON<sup>™</sup> ENAMELED CAST IRON SINK

Fixture*:		basin area	water depth
Sink		483 x 356mm	152mm
Outlet	Ø92mm		
Faucet holes	Ø38mm		
* Approximate measurements for comparison only.			
Included Components:			
Hangers (pr.)		64505	



### Roughing-In Notes

Fixture dimensions are nominal and conform to tolerances in ASME/ANSI Standard A112.19.1M.

(T) Drain typically 308mm.

**K-5980 Sutton<sup>™</sup> Sink**  
105136-1M-AA (9631)

**KOHLER<sup>®</sup>**