

Ordering Information

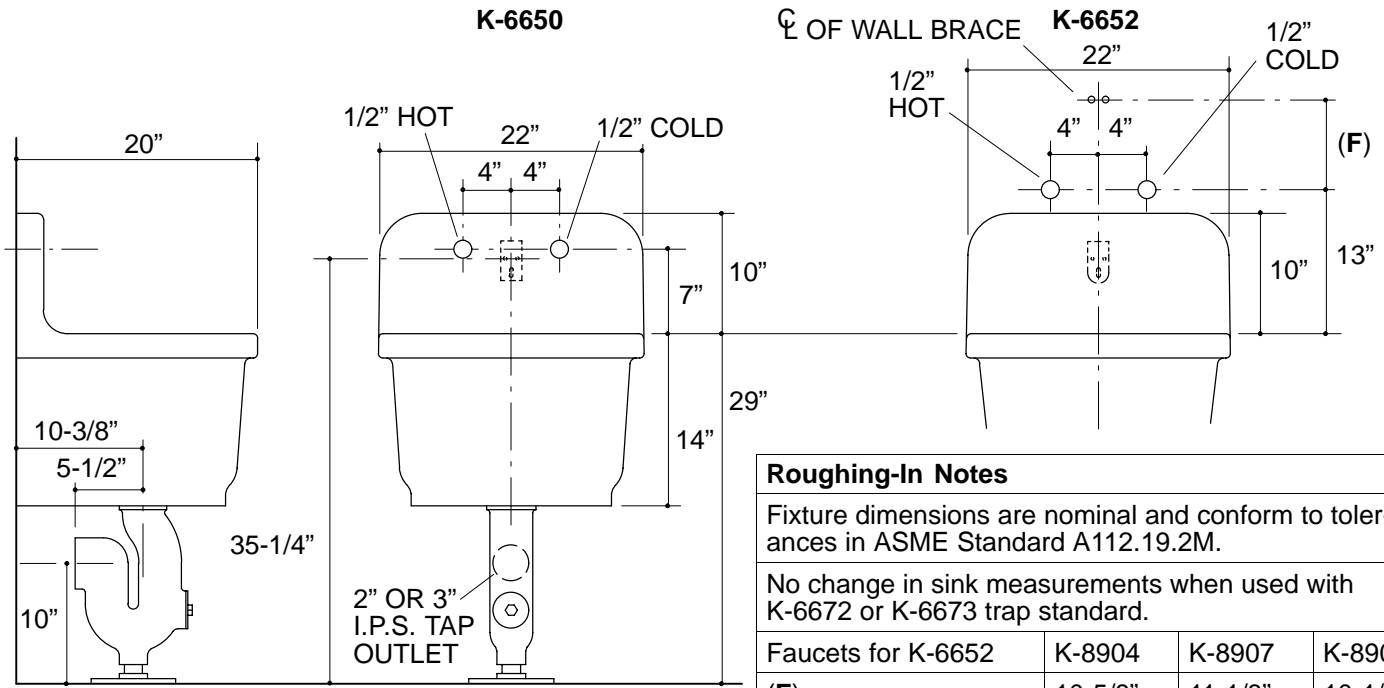
22" x 20", drilled back	K-6650	shown
22" x 20", blank back	K-6652	shown
Accessories/hardware:		
Trap std. (for 3" lead pipe)	K-6670	recommended*
Trap std. (for 3" soil pipe)	K-6671	recommended*
Trap std. (for 2" iron pipe)	K-6672	recommended
Trap std. (for 3" iron pipe)	K-6673	recommended
Rim guard	K-8932	optional
Rim guard	K-8934	optional
Knoxford faucet for K-6652	K-8904	recommended*
Kinlock faucet for K-6652	K-8907	
Kinlock faucet for K-6652	K-8908	
*Recommended for configuration illustrated.		

Product Information

Fixture*:		basin area	water depth
Sink		19" x 16"	13-1/8"
Outlet	3" D.		
K-6650 faucet holes	1-1/2" D.		
* Approximate measurements for comparison only.			
Included Components:			
Wall hanger			64512

Installation Notes

Refer to installation instructions included with fixture before beginning installation.



Roughing-In Notes

Fixture dimensions are nominal and conform to tolerances in ASME Standard A112.19.2M.

No change in sink measurements when used with K-6672 or K-6673 trap standard.

Faucets for K-6652	K-8904	K-8907	K-8908
(F)	10-5/8"	11-1/8"	10-1/4"

Recommended accessories/hardware are shown.