

**Ordering Information**

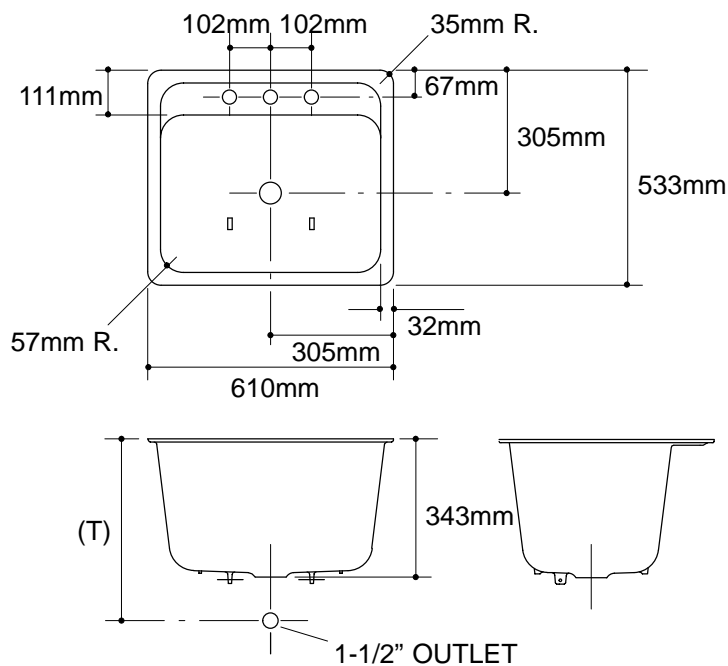
Applicable product:		
Three-hole sink	K-6757-3	shown
Accessories/hardware:		
Metal frame	K-6596	recommended
Strainer (or)	K-8220	recommended
Strainer with stopper	K-8221	recommended

**Product Information**

Fixture*:		basin area	water depth
Sink		559 x 381mm	318mm
Water capacity	53 litres		
Outlets	Ø54mm		
Faucet holes	Ø35mm		
* Approximate measurements for comparison only.			

**Installation Notes**

Refer to installation instructions included with fixture before beginning installation.



<b>Roughing-In Notes</b>	
Fixture dimensions are nominal and conform to tolerances in ASME/ANSI Standard A112.19.1M.	
(T) Drain typically 451mm.	
Cutout	Metal frame required.

.85<116