

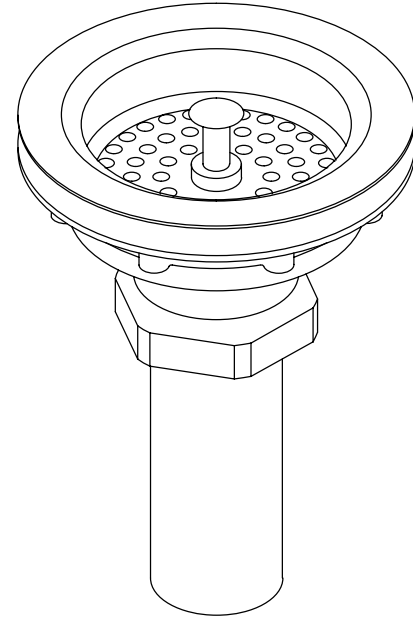
FEATURES

- Brass construction
- For sink installations with 3-1/2" or 4" outlet
- Removable basket strainer with open/close stopper
- 1-1/2" connection

CODES/STANDARDS APPLICABLE

Specified model meets or exceeds the following:

- ASME/ANSI A112.18.1M
- CSA B125
- IAPMO/UPC



COLORS/FINISHES

- CP Polished Chrome
- PB Polished Brass
- Other Refer to Faucets Price Book for additional finishes

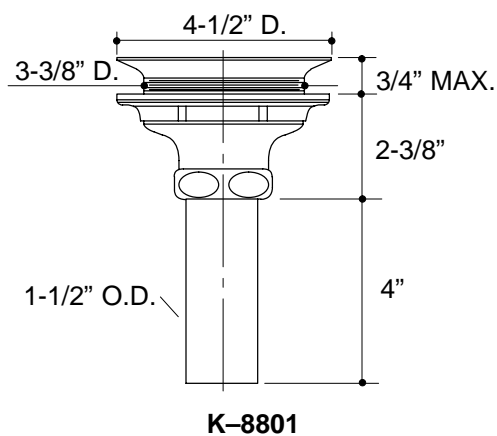
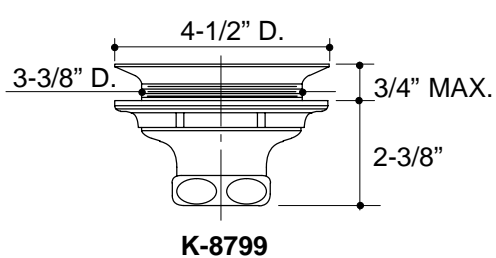
SPECIFIED MODEL:

Model	Description			
K-8799	Sink Strainer Less Tailpiece	<input type="checkbox"/> CP	<input type="checkbox"/> PB	
K-8801	Sink Strainer With Tailpiece	<input type="checkbox"/> CP	<input type="checkbox"/> PB	<input type="checkbox"/> Other_____

PRODUCT SPECIFICATION:

Duostrainer sink strainer shall be of brass construction. Product shall feature removable basket strainer with an open/close stopper, and 1-1/2" connection. Product is intended for sink installations with 3-1/2" or 4" outlet. Optional feature shall be a brass tailpiece. Strainer shall be Kohler Model K-_____ -_____.

DUOSTRAINER®



14

PRODUCT DIAGRAM