

SERVICE SINK STRAINER
K-9142

ALSO K-9146, K-9147

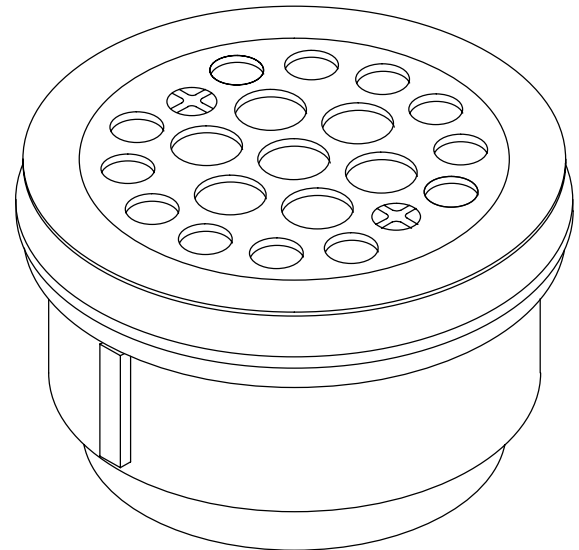
FEATURES

- Brass construction
- Removable grid strainer
- Available with 2" or 3" N.P.T., or 2" caulk connection

CODES/STANDARDS APPLICABLE

Specified model meets or exceeds the following:

- ASME/ANSI A112.18.1M
- IAPMO/UPC (K-9142, K-9146)



COLORS/FINISHES

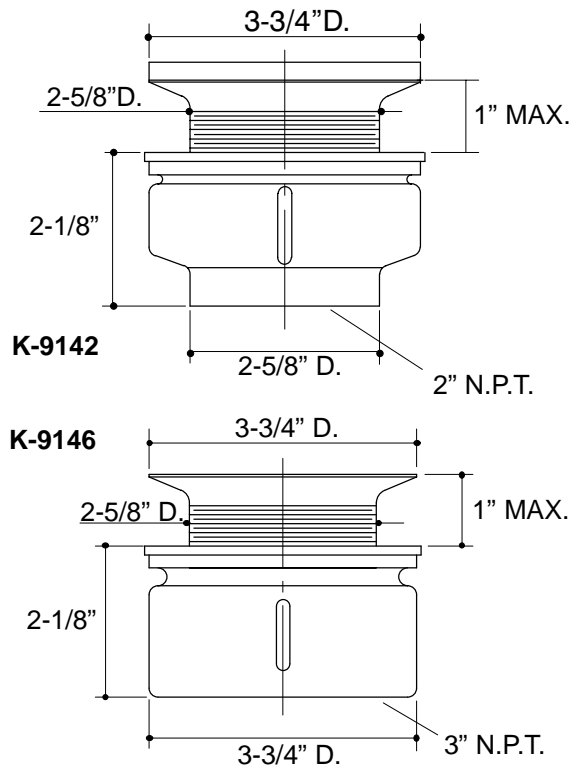
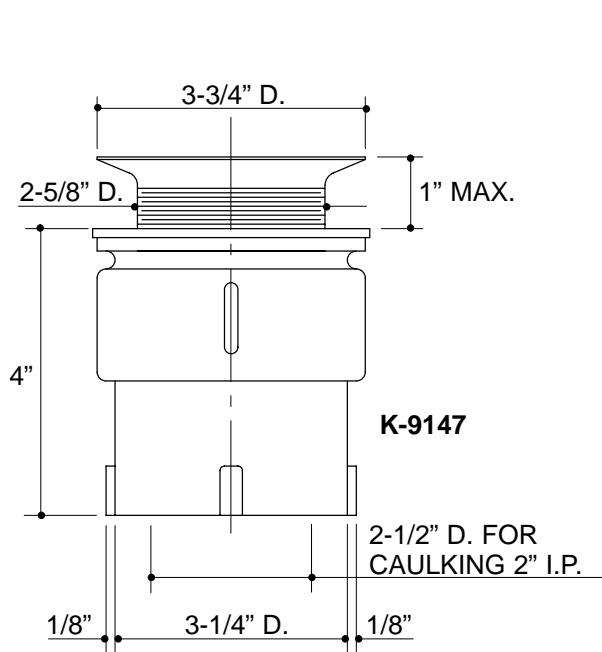
- CP Polished Chrome

SPECIFIED MODEL:

Model	Description			
K-9142	Tapped for 2" N.P.T.	<input type="checkbox"/> CP		
K-9146	Tapped for 3" N.P.T.		<input type="checkbox"/> CP	
K-9147	For 2" Caulk Connection			<input type="checkbox"/> CP

PRODUCT SPECIFICATION:

Service sink strainer shall be of brass construction. Product shall include removable grid strainer and is available for 2" or 3" N.P.T., or 2" caulk connection. Service sink strainer shall be Kohler Model K-_____-CP.



PRODUCT DIAGRAM