

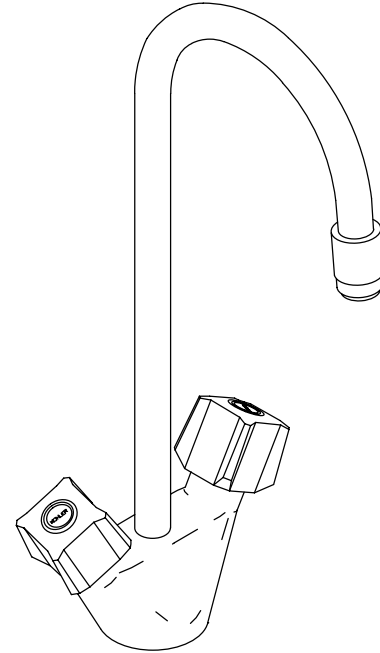
FEATURES

- Brass construction
- Single-hole mounting
- Brass valve bodies
- Compression valves
- 5-1/8" gooseneck spout
- 2.2 gallons per minute
- Sculptured acrylic handles

CODES/STANDARDS APPLICABLE

Specified model meets or exceeds the following:

- ASME/ANSI A112.18.1M
- CSA B125
- Energy Policy Act of 1992
- NSF 61



COLORS/FINISHES

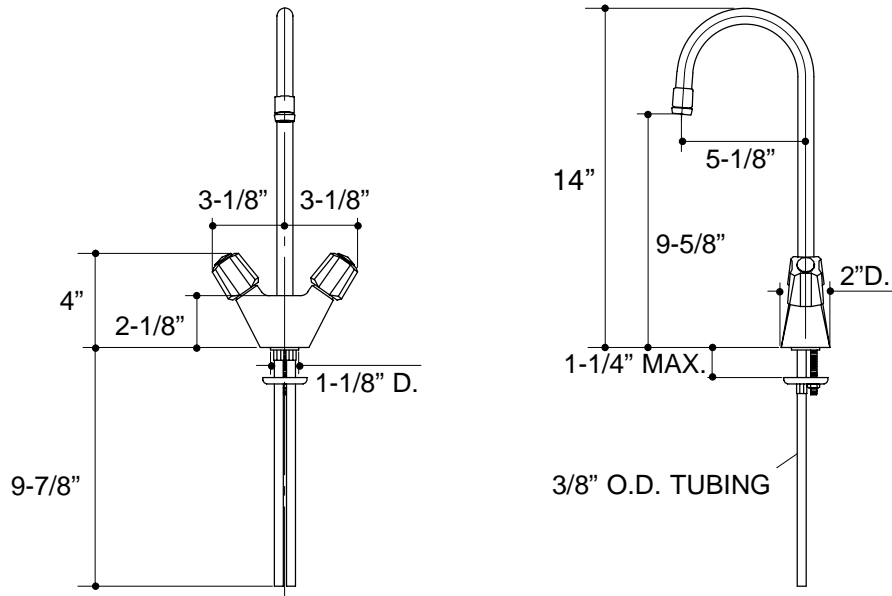
- CP Polished Chrome
- PB Polished Brass

SPECIFIED MODEL:

Model	Description		
K-11930	Europa Bar Sink Faucet	<input type="checkbox"/> CP	<input type="checkbox"/> PB

PRODUCT SPECIFICATION:

Two-handle bar sink faucet shall be of brass construction. Faucet shall feature brass valve bodies. Faucet shall also feature compression valves. Product shall include single-hole mounting, 5-1/8" gooseneck spout, sculptured acrylic handles, and flexible copper tubing supplies. Faucet shall be Kohler Model K-11930-_____.



PRODUCT DIAGRAM