

### Ordering Information

Accessories/hardware:		
Brackets	K-1808	optional
Trap	K-8998	recommended*
Drain	K-7715	recommended*
Gooseneck spout	K-13760	recommended*
Lavatory supply	K-13707	recommended*
Knee control fitting	K-13715	recommended*
* Dimensions illustrated.		

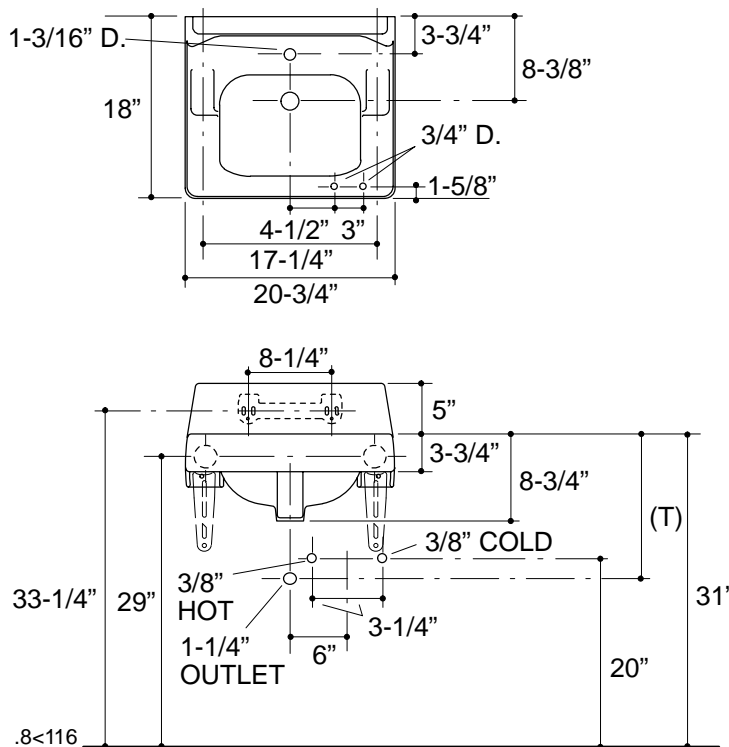
### Product Information

Fixture*:		basin area	water depth
Lavatory		14" x 10"	5-3/4"
Outlet	1-3/4" D.		
Spout hole	1-3/16" D.		
Knee control fitting holes	3/4" D.		
* Approximate measurements for comparison only.			

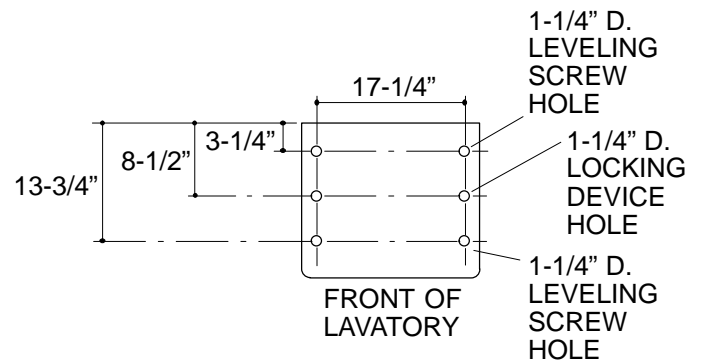
Included Components:	
Hanger (1)	64839

### Installation Notes

Refer to installation instructions included with fixture before beginning installation.



### CONCEALED ARM HOLE LOCATIONS



### Roughing-In Notes

Fixture dimensions are nominal and conform to tolerances in ASME Standard A112.19.2M.

(T) Drain 13-1/4".

Supplied hanger or optional brackets not used with concealed arm carrier.