

K-7048-T

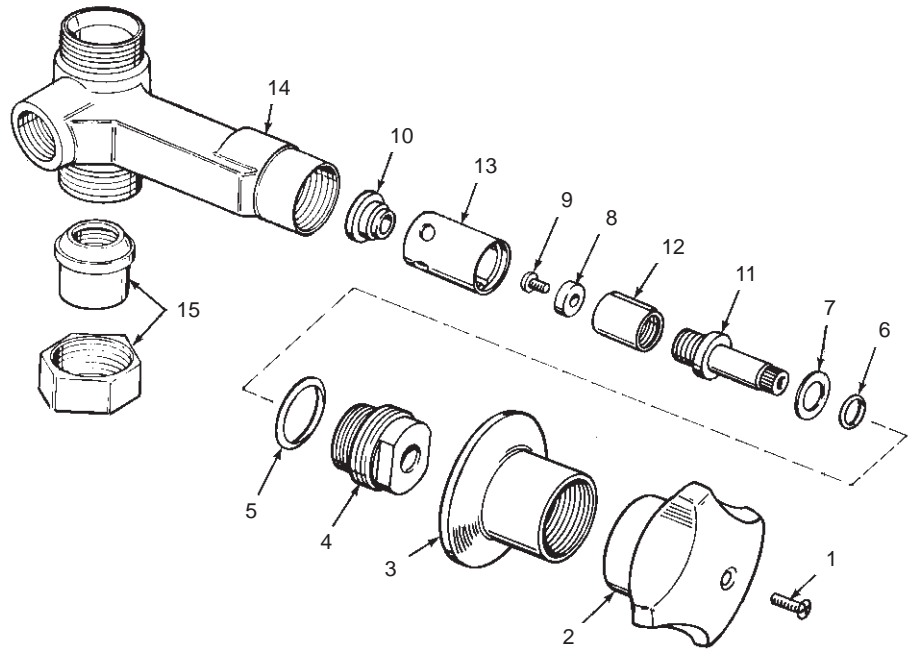
TRITON II

BYPASS VALVE

ORDER BY KIT NUMBER OR PART NUMBER, NOT ITEM NUMBER OR KIT LETTER.

Ordering Options

Item	Part No. or Kit
1	A
2	G
3	B
4	34253
5, 6, 7, 8, 9, 10	C, D
11, 12, 13	D
14	*
15	E or F



Kit Ordering Information

Kit	Kit Part No.	Kit Name
A	30097‡	Screw
B	30071‡	Escutcheon
C	30294	Valve Rebuilding
D	30002	Valve Replacement
E	30204	Union S.A. (1/2" I.P.)
F	30203	Union S.A. (5/8" O.D. Copper)
G	30021‡	Triton Chrome Handle

Kit Contents

2 ea., Item 1
 2 ea., Item 3
 2 ea., Items 5 thru 10
 1 ea., Items 5 thru 13
 2 ea., Item 15
 2 ea., Item 15
 1 ea. Hot, 1 ea. Cold; Item 2

KITS MAY INCLUDE EXTRA PARTS

NOTES:

* Not available as a service part.

LEGEND:

‡ Specify Finish.