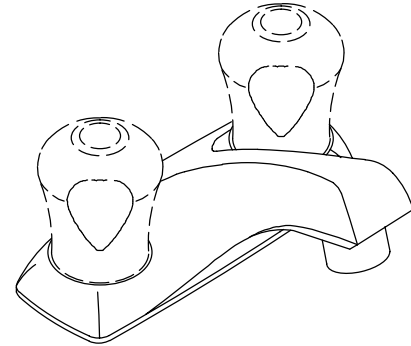


FEATURES

- Metal construction
- For 4" centers
- Reversible quarter-turn washerless ceramic disc valves
- 3-5/8" spout
- Metal throatplate
- 2.0 gallons per minute
- Lift rod hole with plug
- Available with sculptured acrylic or blade handles



CODES/STANDARDS APPLICABLE


Specified model meets or exceeds the following:

- ASME/ANSI A112.18.1M
- CSA B125
- Energy Policy Act of 1992
- IAPMO/UPC
- NSF 61

COLORS/FINISHES

- CP Polished Chrome

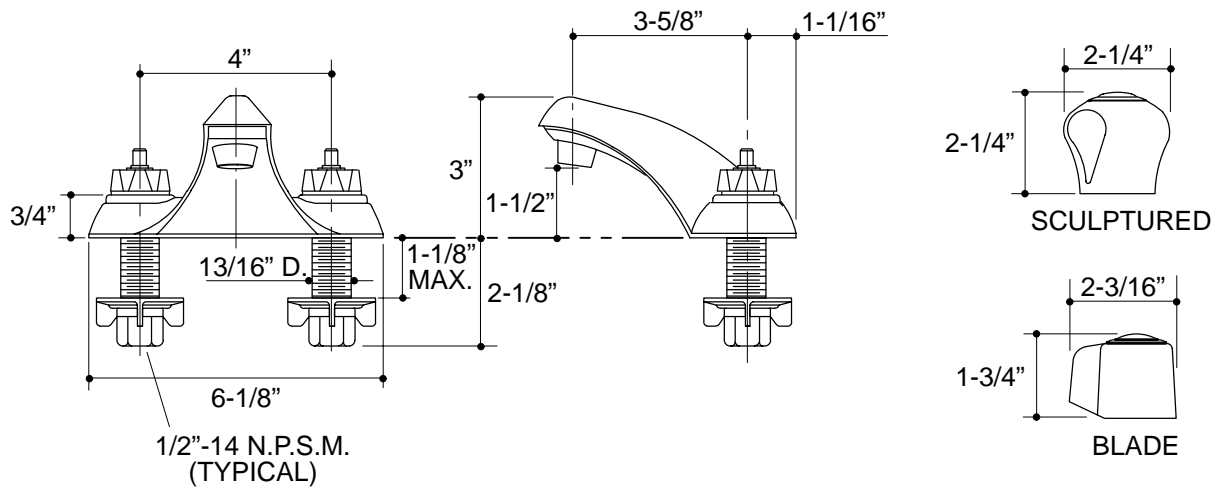
SPECIFIED MODEL:

Model	Description		 ADA
K-15240	With Sculptured Acrylic Handles	<input type="checkbox"/> CP	
K-15240-B	With Blade Handles		<input type="checkbox"/> CP

Optional Accessory		
K-7715	Grid Drain	<input type="checkbox"/> CP

PRODUCT SPECIFICATION:

Two-handle centerset lavatory faucet shall be of metal construction. Faucet shall feature reversible quarter-turn washerless ceramic disc valves, assuring positive handle stop positioning. Product shall be less drain. Product shall include 4" centers, 3-5/8" spout, lift rod hole with plug, and sculptured acrylic or blade handles. Faucet shall be Kohler Model K-15240-_____-CP.



PRODUCT DIAGRAM