

Ordering Information

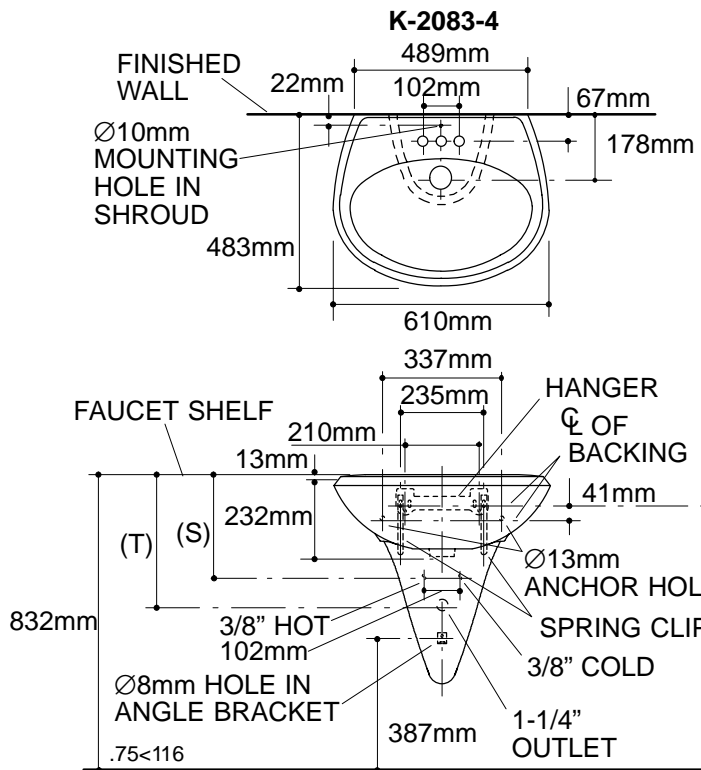
Applicable product:		
102mm centers lavatory	K-2083-4	shown
203mm centers lavatory	K-2083-8	not shown
Single-hole lavatory	K-2083-1	not shown
Accessories/hardware:		
Lavatory supplies, 3/8" pr.	K-7605-P	recommended
Trap	K-8998	recommended

Product Information

Fixture*:		basin area	water depth
Lavatory		559 x 330mm	127mm
Outlet	Ø44mm		
* Approximate measurements for comparison only.			

Holes	K-2083-4	K-2083-8	K-2083-1
Spout	Ø30mm	Ø30mm	Ø35mm
Faucet	Ø30mm	Ø35mm	

Included Components:	
Lavatory basin, 102mm centers	K-2138-4
Lavatory basin, 203mm centers	K-2138-8
Lavatory basin, single-hole	K-2138-1
Shroud	K-2143
Shroud accessory pack	52205
Hanger	64839
Rubber pads	63069



Roughing-In Notes
Fixture dimensions are nominal and conform to tolerances in ASME Standard A112.19.2M.
(T) Pop-up drain 375mm.
(S) 292mm (Based on 305mm riser which may require cutting).

