

Ordering Information

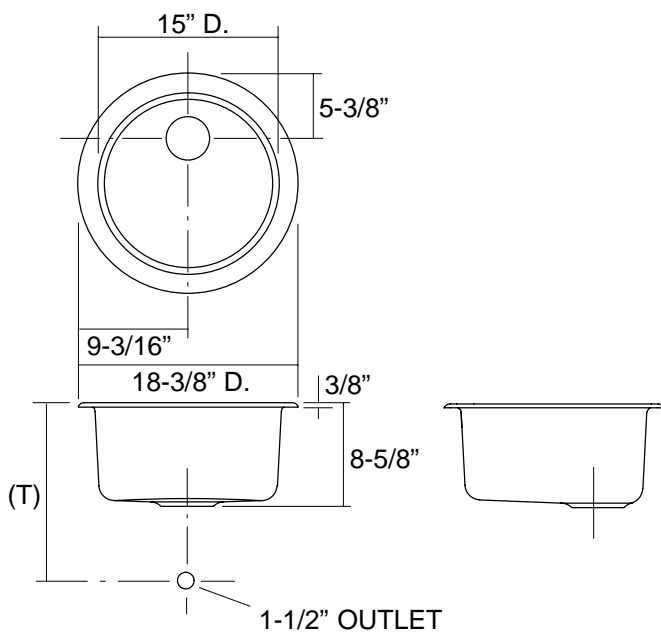
Accessories/hardware:		
Hardwood cutting board	K-6566	optional

Product Information

Fixture*:		diameter	water depth
Sink		15"	8"
Outlet	3-5/8" D.		
* Approximate measurements for comparison only.			

Installation Notes

Refer to installation instructions included with fixture before beginning installation.



Roughing-In Notes

Fixture dimensions are nominal and conform to tolerances in ASME/ANSI Standard A112.19.1M.

(T) Drain typically 14-1/4".

Cutout	17-1/8" D.
--------	------------