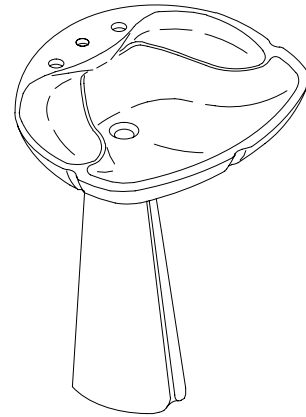


FEATURES

- 29-1/2" x 22-1/2" x 34-3/4"
- Vitreous china
- Pedestal lavatory
- 8" centers (K-2119-8) or single hole (K-2119-1) drilling



CODES/STANDARDS APPLICABLE

Specified model meets or exceeds the following:

- ASME/ANSI A112.19.2M
- IAPMO/UPC
- State of Massachusetts

COLORS/FINISHES

- 0 White
- Other Biscuit

Accessories:

- CP Polished Chrome
- 0 White
- Other Refer to Faucets Price Book for additional finishes

SPECIFIED MODEL:

Model	Description	Colors/Finishes	
K-2119-1	Single-hole lavatory	<input type="checkbox"/> 0 White	<input type="checkbox"/> 96 Biscuit
K-2119-8	8" centers lavatory	<input type="checkbox"/> 0 White	<input type="checkbox"/> 96 Biscuit

Recommended Accessories			
K-6763-7	Cygnnet centerset lavatory faucet (K-2112)	<input type="checkbox"/> 0 White	
K-6762-7	Cygnnet widespread lavatory faucet (K-2119)	<input type="checkbox"/> 0 White	
K-7605-P	Lavatory supplies 3/8" (pair)	<input type="checkbox"/> CP	<input type="checkbox"/> Other _____
K-8998	Trap	<input type="checkbox"/> CP	<input type="checkbox"/> Other _____

PRODUCT SPECIFICATION:

The pedestal lavatory shall be 29-1/2" in length, 22-1/2" in width, and 34-3/4" in height. Pedestal lavatory shall be made of vitreous china. Pedestal lavatory shall have 8" centers (K-2119-8), or single-hole (K-2119-1) drilling. Pedestal lavatory shall be Kohler Model K-2119-_____-_____.

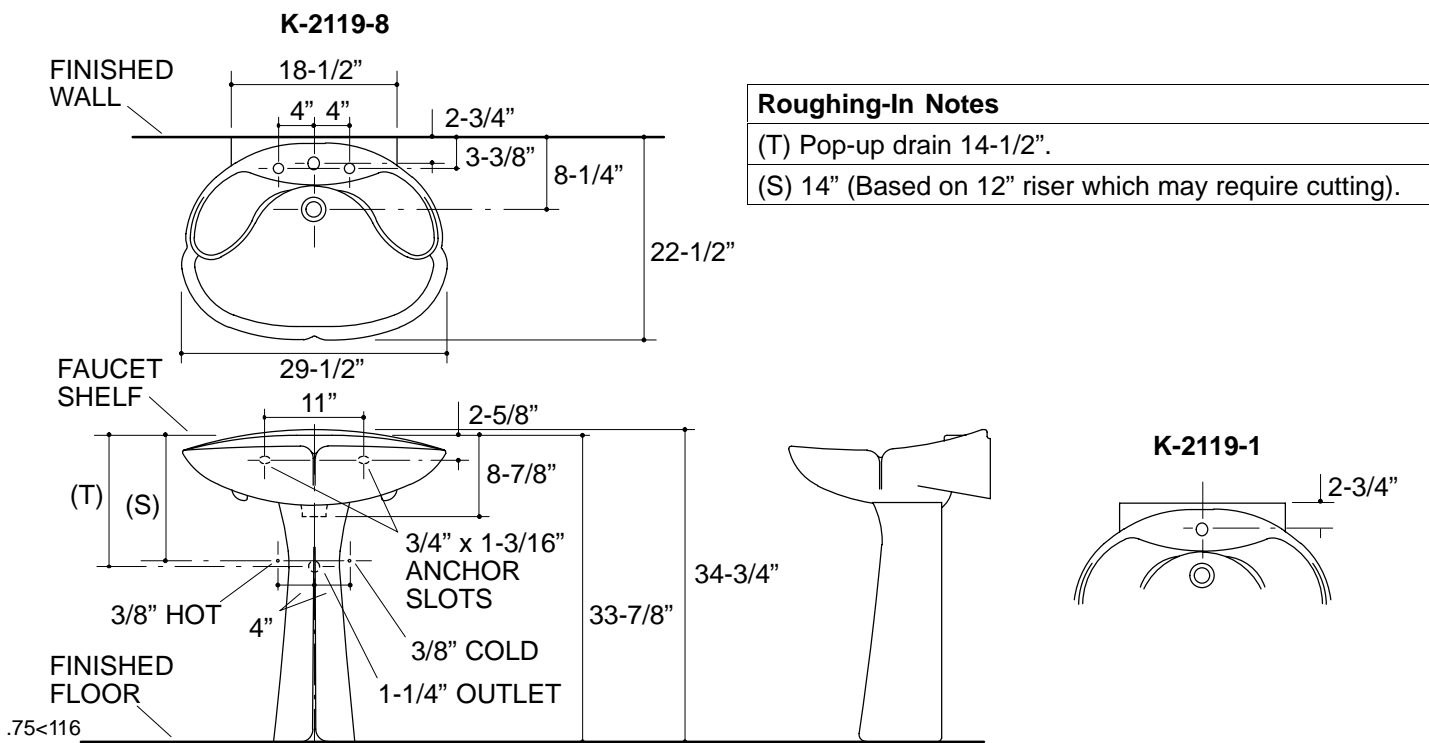
FLEUR

PRODUCT INFORMATION

Fixture*:		basin area	water depth
Lavatory		27" x 16"	5"
Outlet	1-3/4" D.		
Faucet holes	1-3/16" D.		
Spout hole	1-3/8" D.		
* Approximate measurements for comparison only.			

Holes	K-2119-8	K-2119-1	
Spout	1-3/16" D.	1-3/8" D.	
Faucet	1-3/8" D.		

Included Components:	
Lavatory basin (single hole)	K-2178-1
Lavatory basin (8" centers)	K-2178-8
Pedestal	K-2114



PRODUCT DIAGRAM