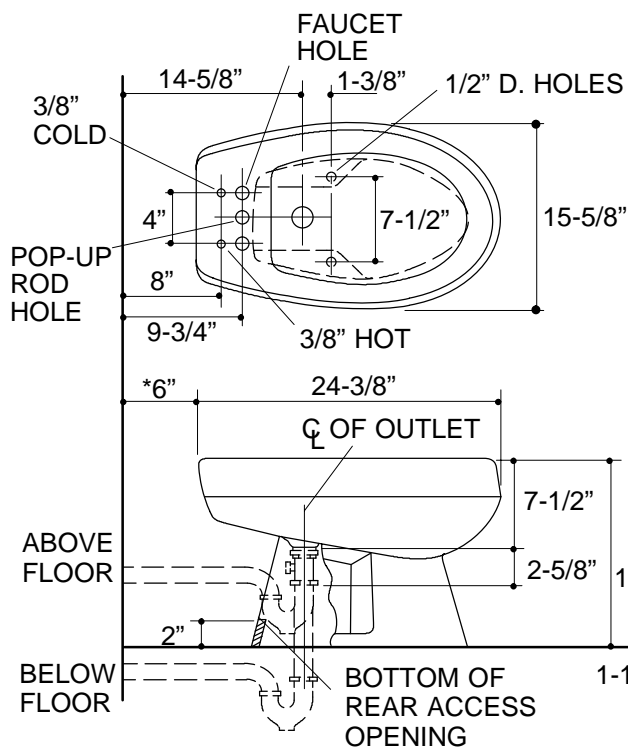


Ordering Information

Accessories/hardware:		
P-trap	K-9018	recommended*
*Dimensions illustrated.		

Product Information

Fixture:	
Configuration	Faucet deck
Outlet	1-3/4" D.
Faucet hole	1-3/16" D.
Pop-up rod hole	1-3/16" D.
Included Components:	
Floor screws and bolt caps	52049



Roughing-In Notes

Fixture dimensions are nominal and conform to tolerances in ASME Standard A112.19.2M.

*6" dimension required to allow for drain and supply connection from rear of bidet.

Install trap in drain line below floor.

FRONT OF BIDET

